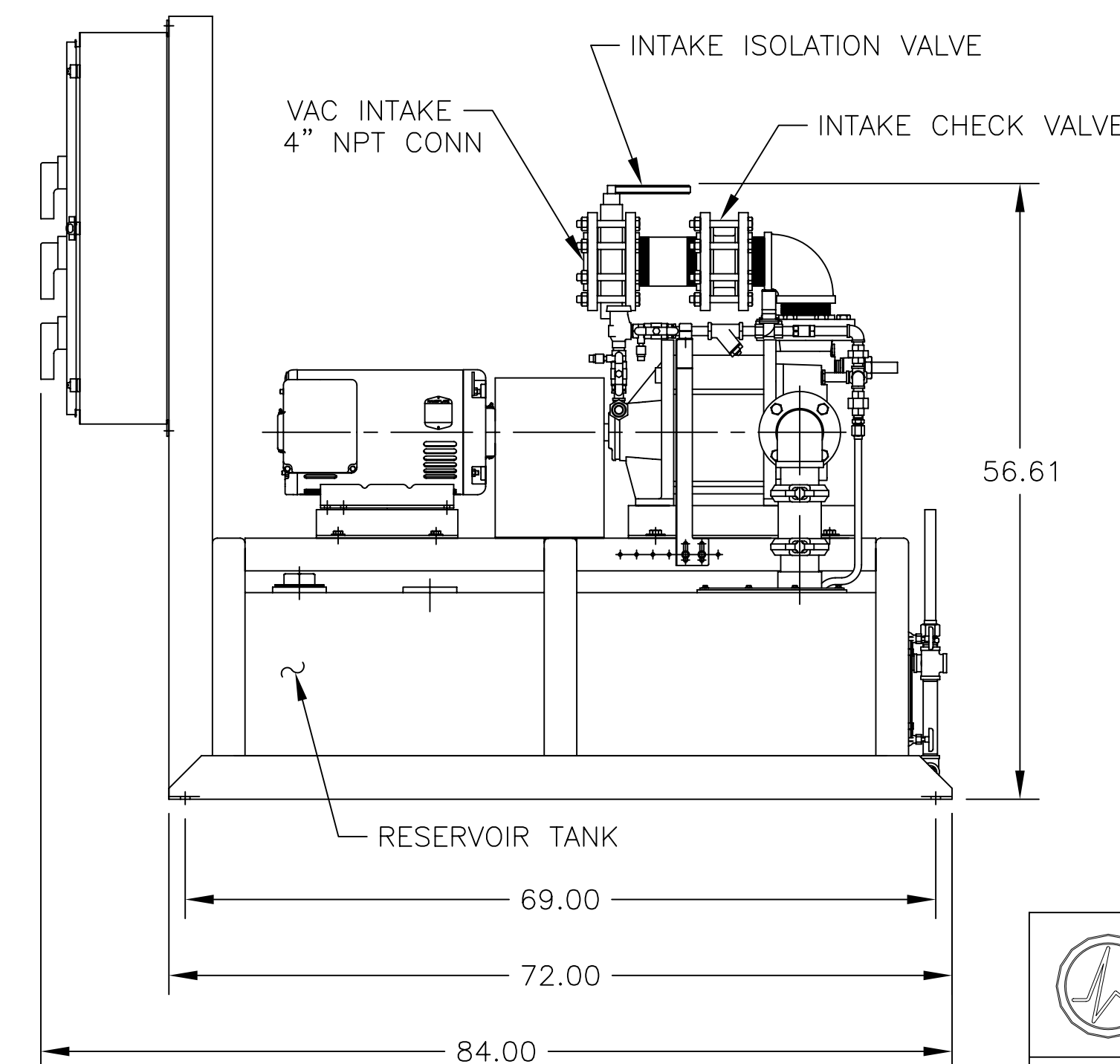
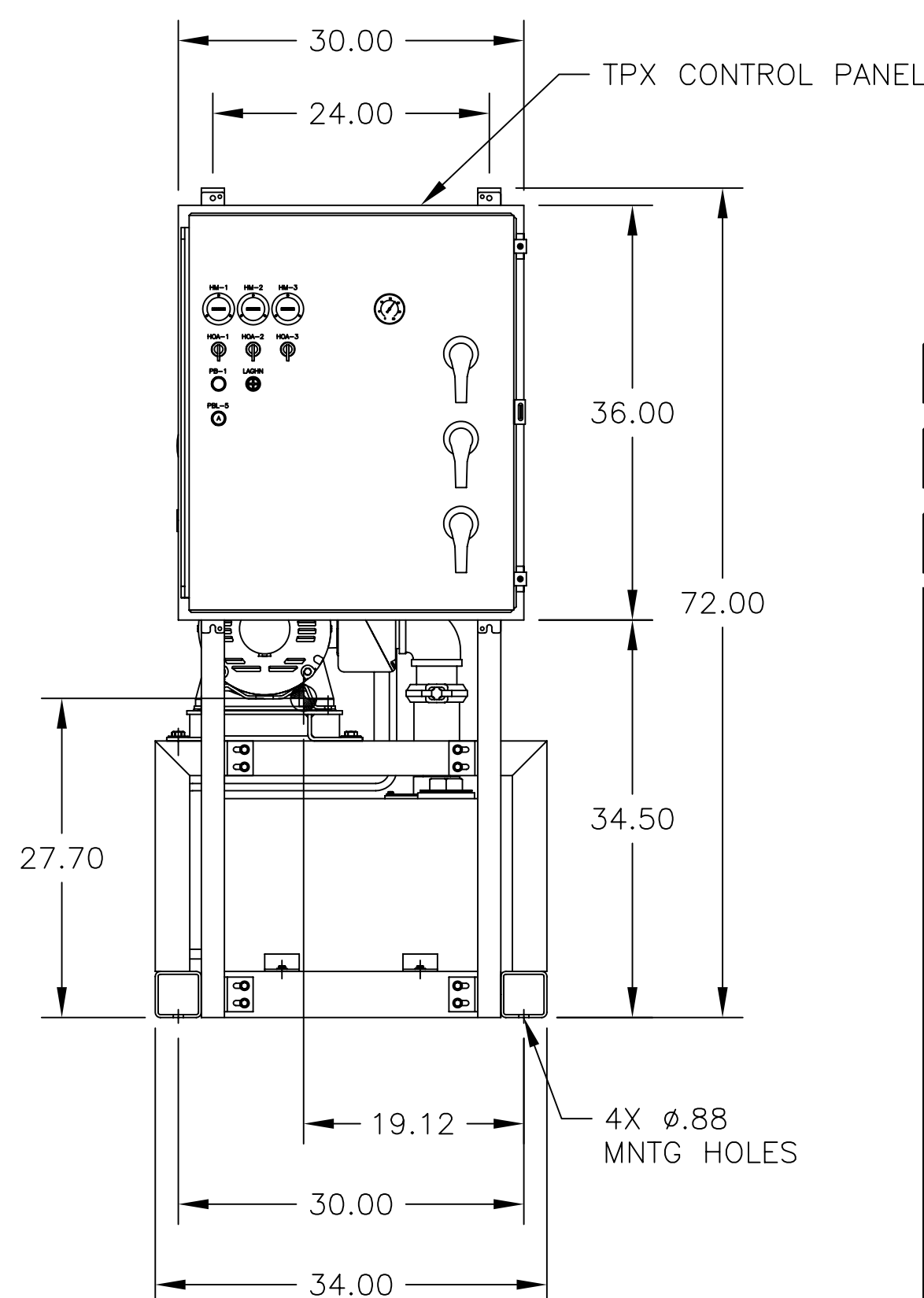
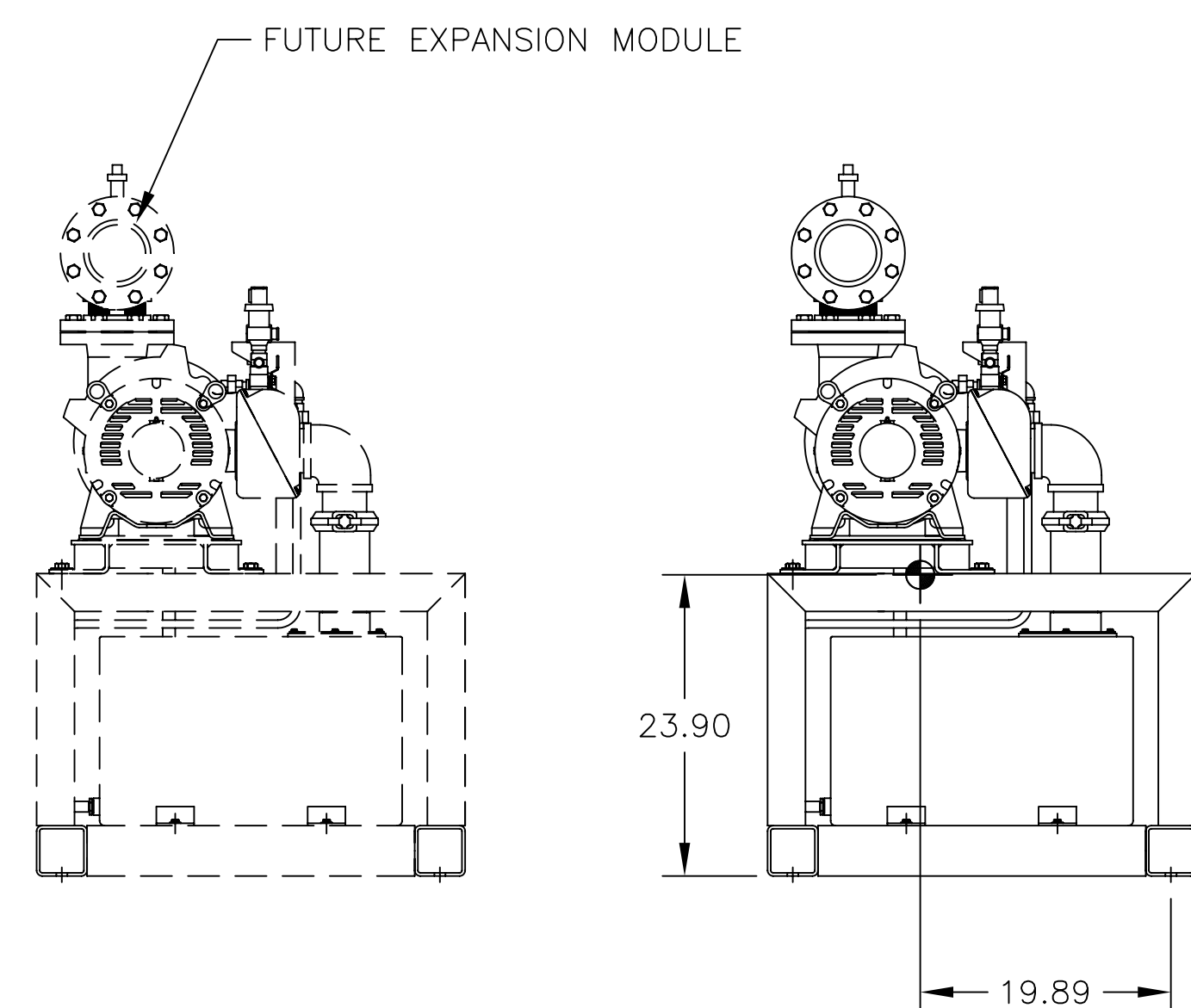
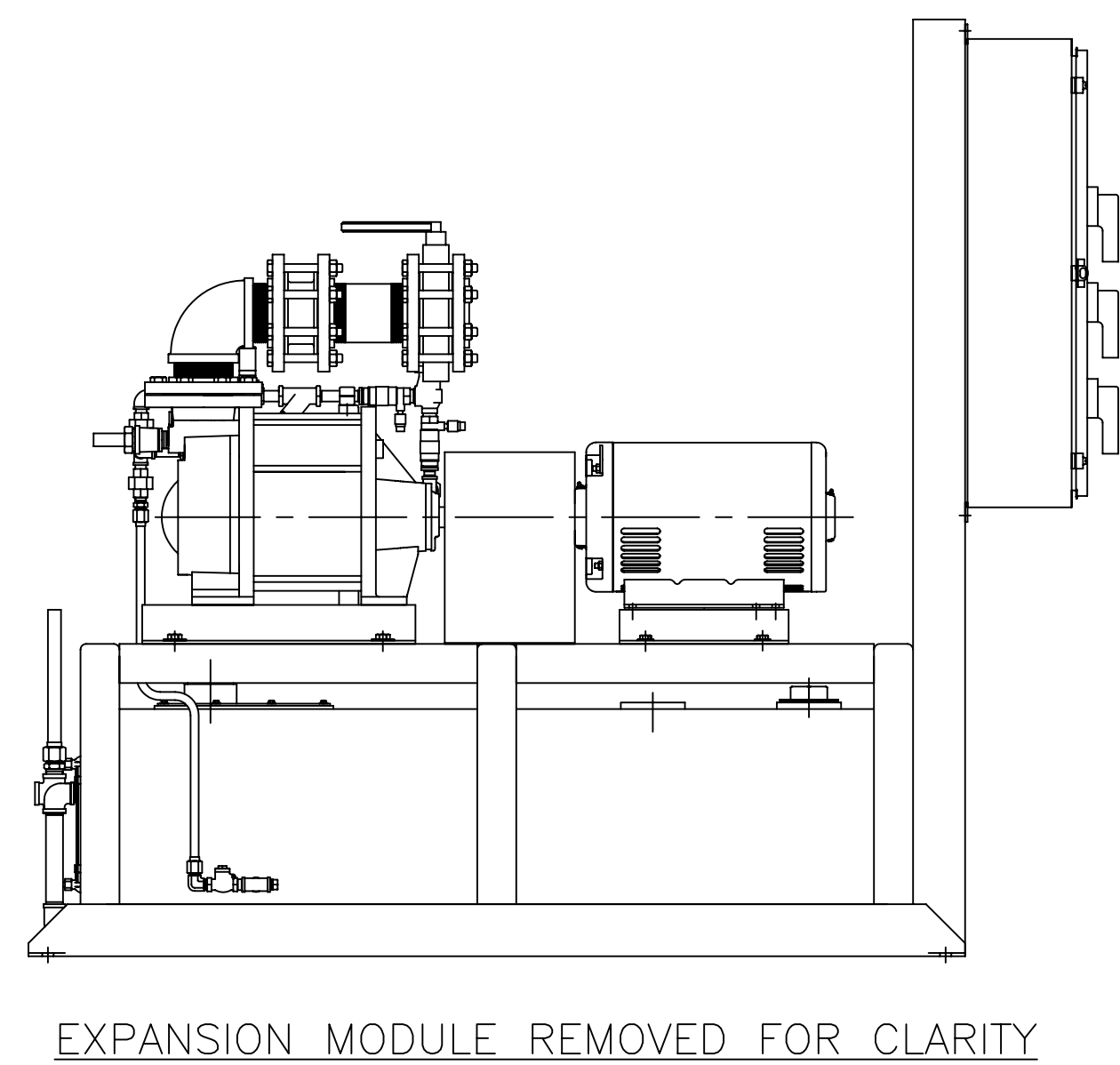
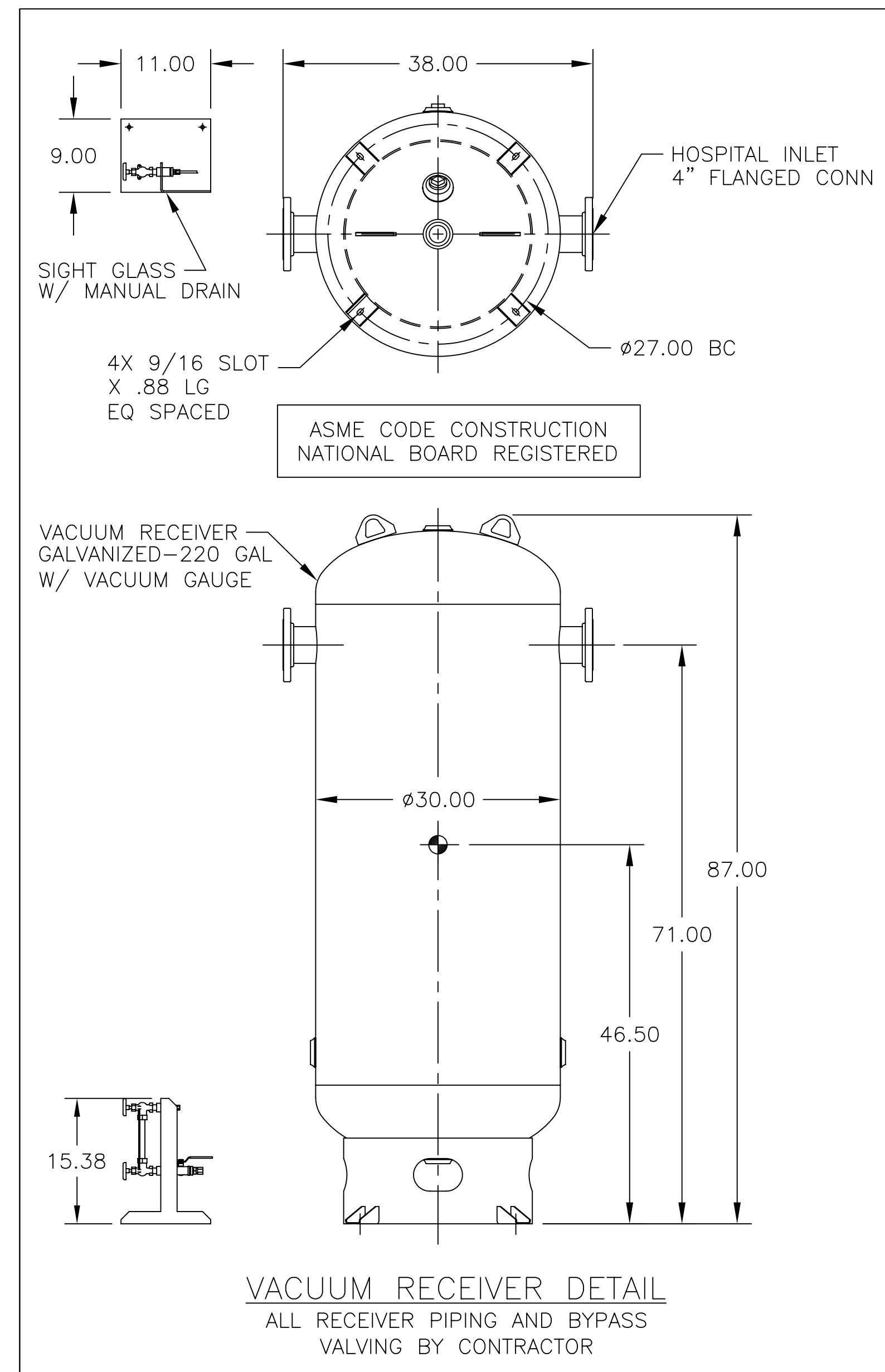
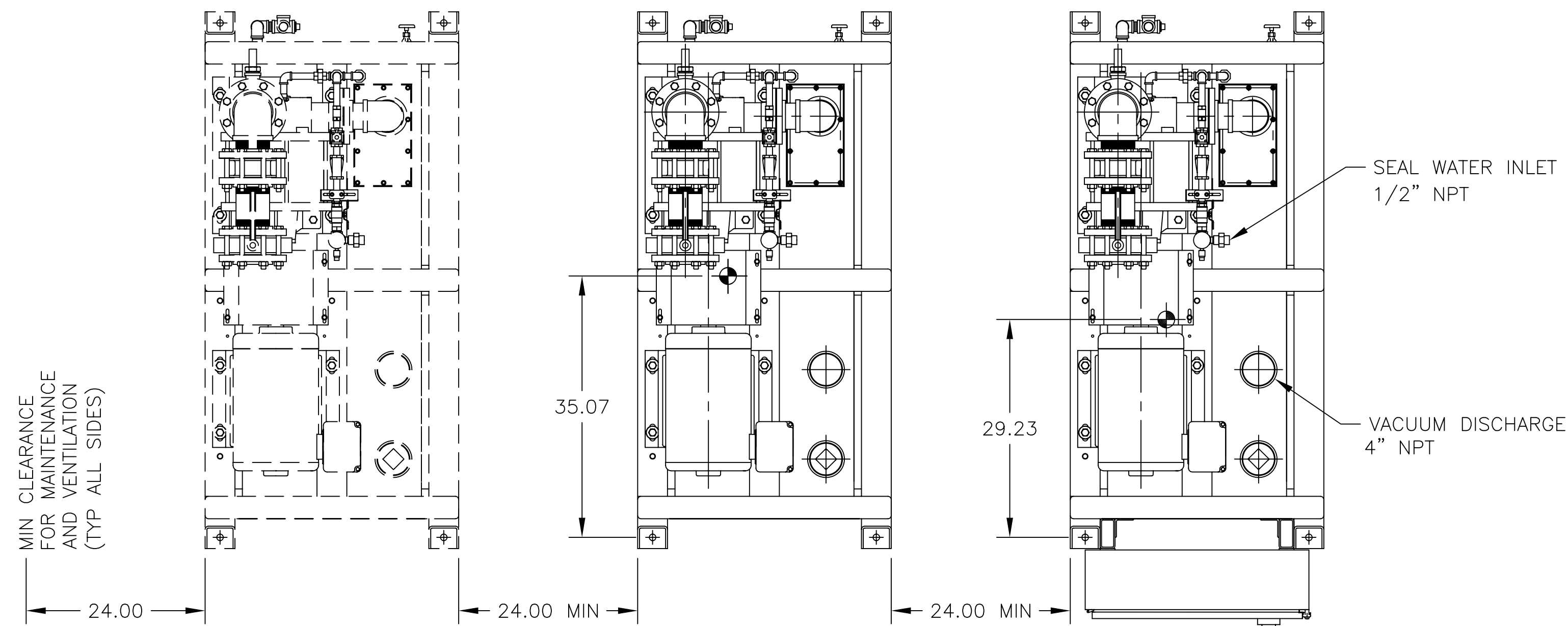


| MODEL NUMBER | UNIT (HP) | PUMP MODEL | RECEIVER (GALLONS) | WEIGHT (lbs.) | | |
|------------------|-----------|------------|--------------------|----------------|-----------------------------------|-----------------|
| | | | | SIMPLEX MODULE | SIMPLEX MODULE WITH CONTROL PANEL | RECEIVER MODULE |
| LVS-15D-RC220V-T | 15 | GL-60 | 220 | 1483 | 1751 | 565 |



NOTE:

1. FLEX HOSES ARE SHIPPED LOOSE.
2. ALL WIRING AND INTAKE MANIFOLD BETWEEN MODULES SUPPLIED BY OTHERS.
3. INDICATES CENTER OF GRAVITY.

BEACONMEDÆS

TITLE:
LL DPX-EXP-TPX CAMEL TYPE 2 VAC SYS
GENERAL ASSEMBLY - GL-60/ 15HP

| | | |
|--------------------------|-------------------|--|
| DRAWN BY: T. FELLER | DATE: 12/20/05 | This drawing and the information contained thereon remain the property of BeaconMedæS and may not be used for other than the purpose for which it is loaned without the expressed written permission from BeaconMedæS Engineering. |
| CHECKED BY: T. CONNER | DATE: 12/20/05 | |
| REVISED BY: T. FELLER | DATE: 01/30/08 | DRAWING NO. DIA 24 214X |
| SCALE: 1/14 | D | REV. B |