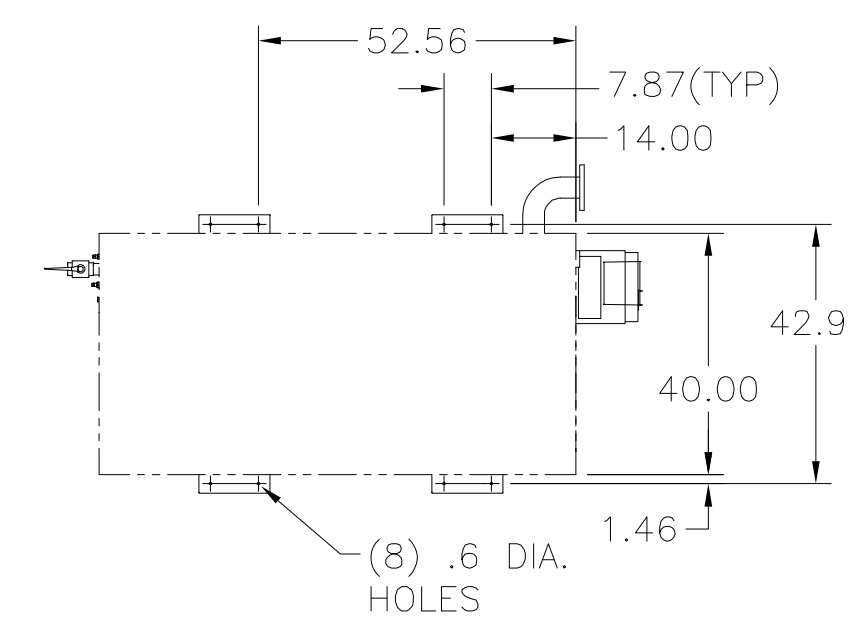
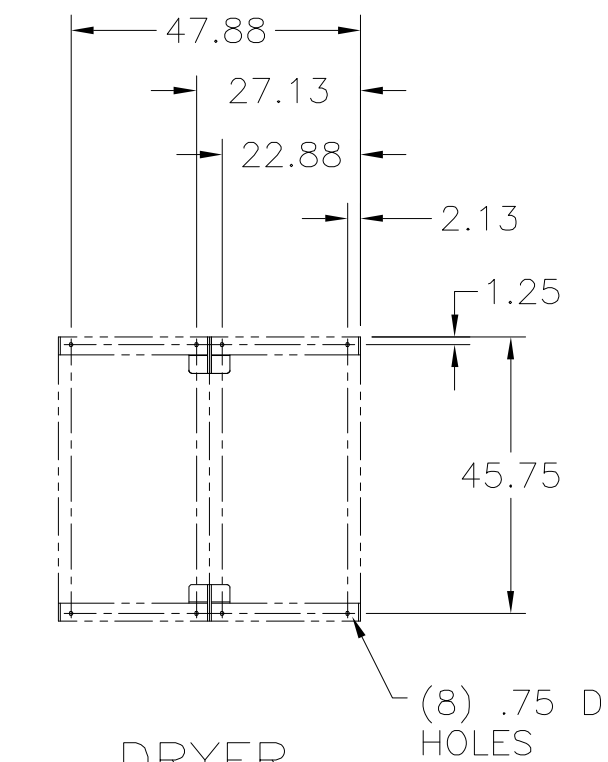


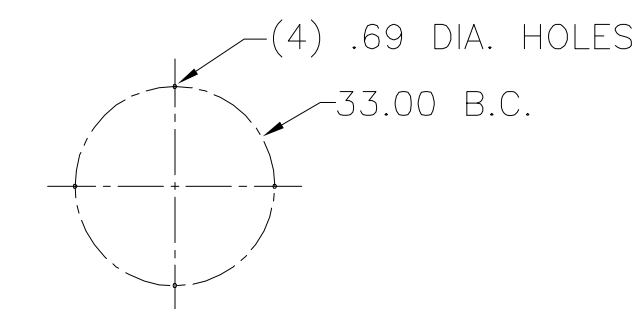
**ANCHOR BOLT LOCATIONS**



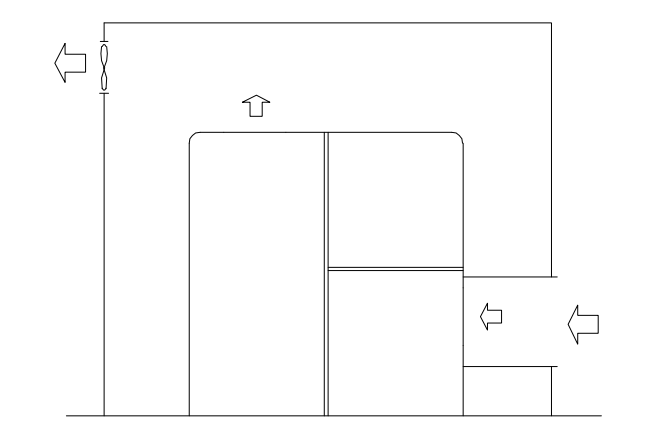
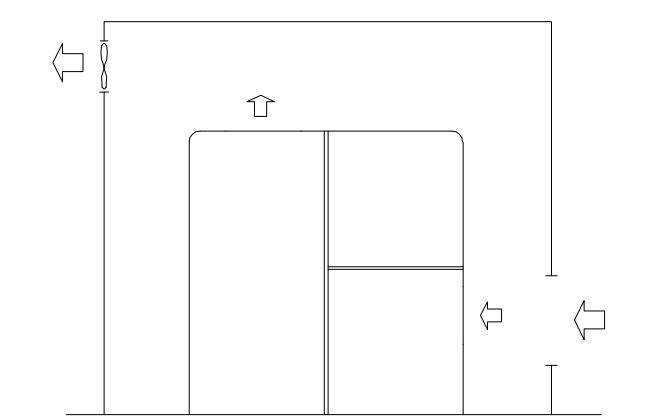
**COMPRESSOR**  
SCALE: 1:32



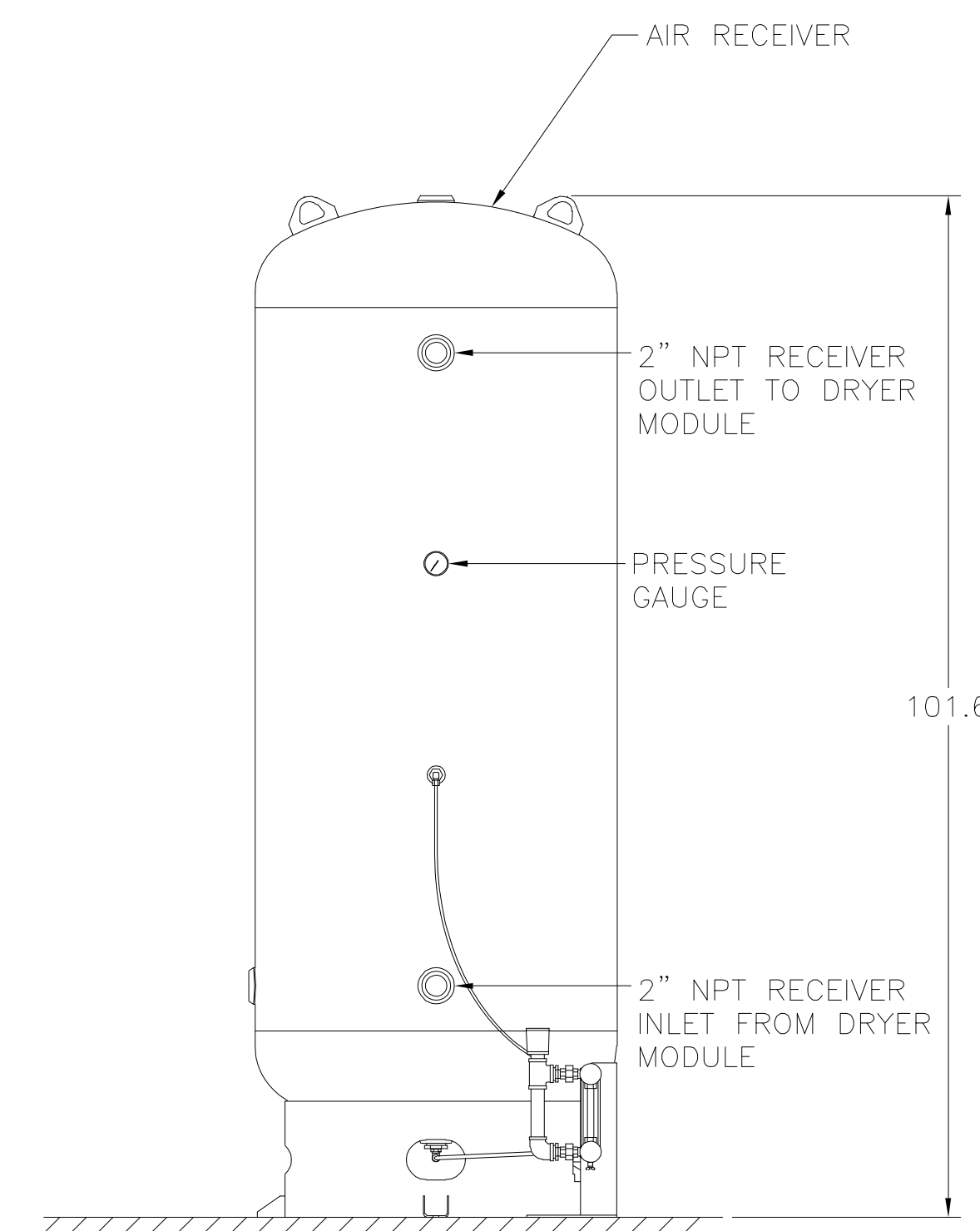
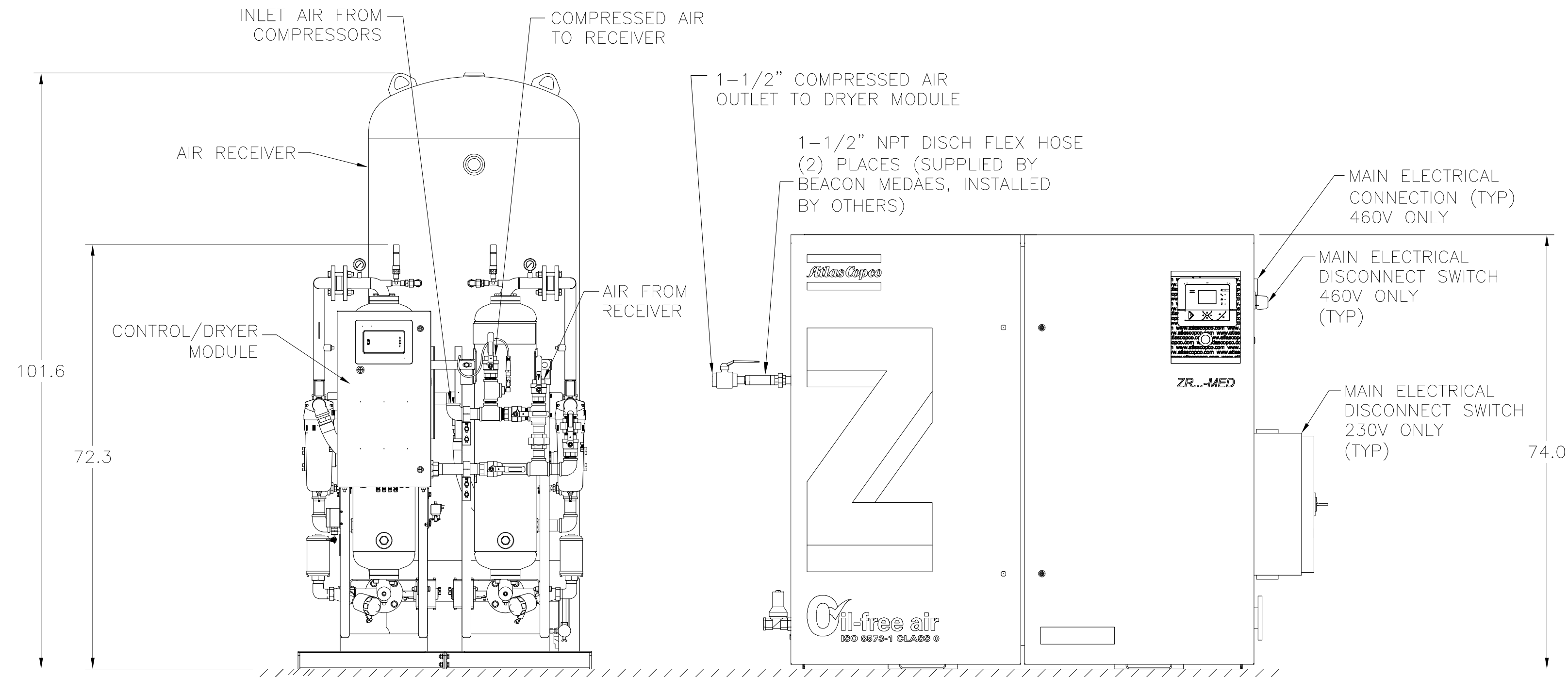
**DRYER**  
SCALE: 1:32



**RECEIVER**  
SCALE: 1:32



VENTILATION PROPOSAL: Standard Unit (See note 6)  
(Common ducting for multiple units is not allowed)



**SECTION A-A**

**NOTES:**

- EQUIPMENT LAYOUT IS DIAGRAMMATIC ONLY; FINAL ARRANGEMENT WILL BE SITE SPECIFIC. CONTRACTOR SHALL BE RESPONSIBLE FOR FIELD VERIFICATION AND COORDINATING ACTUAL LOCATION WITH OTHER TRADES.
- ALL INTERCONNECTING PIPING AND FITTINGS SHALL BE SUPPLIED AND INSTALLED BY THE CONTRACTOR.
- ALL INTERCONNECTING PIPING SHALL BE HARD-DRAWN SEAMLESS TYPE "K" OR "L" COPPER TUBING CONFORMING TO ASTM DESIGNATION B-819 AND INSTALLED IN ACCORDANCE WITH NFPA 99, EDITION 2005.
- INTERCONNECTING COMMUNICATION "CAN" CABLES ARE SUPPLIED BY BEACONMEDAES. COMPRESSORS ARE CONNECTED TO THE MAIN CONTROL PANEL IN SERIES USING THESE CABLES. (STANDARD CABLE LENGTH IS 10-METERS, FOR LONGER CABLE LENGTHS, CONSULT FACTORY).
- THE ROOM REQUIRES DEDICATED MECHANICAL VENTILATION WITH AN ALLOWABLE TEMPERATURE VARIANCE OF 40°F TO 105°F (FOR HIGHER AMBIENTS, CONSULT FACTORY).
- VENTILATION: THE INLET GRID(S) AND VENTILATION FAN SHOULD BE INSTALLED IN SUCH A WAY THAT ANY RECIRCULATION OF COOLING AIR TO THE COMPRESSOR IS AVOIDED. THE AIR VELOCITY TO THE GRID(S) HAS TO BE LIMITED TO 5m/s.
- CLEARANCE DIMENSIONS SHOWN BETWEEN EQUIPMENT ARE MINIMUM CLEARANCES REQUIRED FOR SERVICING.
- RECOMMENDED CLEARANCE AROUND THE OUTER PERIMETER OF THE COMPLETE SYSTEM FOR SERVICING AND MAINTENANCE IS 48".
- RECOMMENDED MINIMUM CLEARANCE BETWEEN TOP OF EQUIPMENT AND OVERHEAD PIPING/CEILING IS 48" FOR VENTILATION PROPOSALS.
- ALL EQUIPMENT SHOULD BE INSTALLED ON A LEVEL FLOOR CAPABLE OF TAKING THE WEIGHT OF THE EQUIPMENT.

40hp WITH 400 GAL RECEIVER AND DUPLEX DESICCANT DRYER



MODEL NO.: ZRM-30D-D400		DRAWN BY: BLM		DATE: 3/31/08	
CAPACITY @ 109 PSI SCFM		CHECKED BY: MEB		DATE: 06/01/21	
COMPRESSOR	SYSTEM	REVISION:	DATE:	DRAWING NO.	REV.
167	167	SCALE: 1:16	D	4107 8503 74	05

**NOTES:**

GENERAL

- EQUIPMENT, INSTALLATION, AND TESTING OF THE MEDICAL AIR SYSTEM SHALL COMPLY WITH NFPA 99, 2005 EDITION, LIFELINE INSTALLATION MANUAL AND ALL STATE AND LOCAL CODES OR ORDINANCES.
- EQUIPMENT, ELECTRICAL AND PIPING LAYOUT IS DIAGRAMMATIC ONLY: FINAL ARRANGEMENT WILL BE SITE SPECIFIC. CONTRACTOR SHALL BE RESPONSIBLE FOR FIELD VERIFICATION AND COORDINATING ACTUAL LOCATION WITH OTHER TRADES.
- THE ROOM REQUIRES DEDICATED MECHANICAL VENTILATION WITH AN ALLOWABLE TEMPERATURE VARIANCE OF 40°F TO 105°F (FOR HIGHER AMBIENTS, CONSULT FACTORY).
- REFERENCE LIFELINE INSTALLATION MANUAL FOR PROPER LOCATION OF MODULES TO ENSURE ADEQUATE AIR FLOW ACROSS THE UNITS.

PIPING

- ALL PIPING SHALL BE INSTALLED IN ACCORDANCE WITH NFPA 99, 2005 EDITION.
- ALL INTERCONNECTING PIPING AND FITTINGS SHALL BE SUPPLIED AND INSTALLED BY OTHERS.
- FOR DISCHARGE PIPE SIZING REFER TO STANDARD PRESSURE DROP TABLES (TOTAL PRESSURE DROP SHOULD BE LESS THAN 5 PSIG).
- ALL INTERCONNECTING PIPING SHALL BE HARD-DRAWN SEAMLESS TYPE "K" OR "L" COPPER TUBING CONFORMING TO ASTM DESIGNATION B-819 AND INSTALLED IN ACCORDANCE WITH NFPA 99, EDITION 2005.
- THE RECEIVER DRAIN VALVE IS SUPPLIED WITH A 3/8" HOSE BARB. EACH COMPRESSOR MODULE IS SUPPLIED WITH (2) 5/16" BRASS COMPRESSION FITTING DRAIN CONNECTIONS. ALL DRAIN LINES SHALL BE SUPPLIED AND INSTALLED BY OTHERS AND RUN TO THE APPROPRIATE WASTE DRAIN.
- PIPE AIR INTAKE OUTSIDE, TURN DOWN AND SCREEN PER NFPA 99.
- RECOMMENDED COOLING WATER FLOW RATE: 8.7 GPM PER COMPRESSOR.

ELECTRICAL

- ELECTRICAL POWER SHALL BE SUPPLIED FROM THE EQUIPMENT SYSTEM BRANCH OF THE ESSENTIAL ELECTRICAL DISTRIBUTION (EMERGENCY POWER).
- INTERCONNECTING COMMUNICATION "CAN" CABLES ARE SUPPLIED BY BEACONMEDAES. COMPRESSORS ARE CONNECTED TO THE MAIN CONTROL PANEL IN SERIES USING THESE CABLES. THE STANDARD CABLE LENGTH IS 10-METERS. (FOR LONGER CABLE LENGTHS, CONSULT FACTORY).
- ALL CONDUIT, FITTINGS AND CONDUCTORS SHALL BE SUPPLIED BY THE OTHERS.
- REFER TO LIFELINE WIRING DIAGRAM SHIPPED WITH CONTROL MODULE UNIT FOR CONNECTIONS IN THE PANEL.
- POWER CORD FOR THE AUTOMATIC DRAIN WILL BE SUPPLIED BY BEACONMEDAES. STANDARD CABLE LENGTH IS 10-METERS (FOR LONGER CABLE LENGTHS, CONSULT FACTORY).

LINE SIZE CHART  
INSTALLED & SUPPLIED BY OTHERS  
UNLESS OTHERWISE SPECIFIED

ELECTRICAL (SUPPLIED BY BEACONMEDAES)	
24V AC	.....
COMMUNICATION CABLE	.....

COMPRESSOR DISCHARGE PIPING (SEE NOTE 6 & 8)	
1-1/2"	-----

RECEIVER/SIGHTGLASS (SUPPLIED BY BEACONMEDAES)	
1/4" NYLON TUBE	-----
3/8" NYLON TUBE	=====

COMPRESSOR INTAKE PIPING (SEE NOTE 6 & 8)	
4"	-----
5"	0-249ft
6"	250-449ft
8"	450-500ft

