

Note X:
 - Dimension drawing standardized
 - Air inlet flange details added
 - Mk-IV Elektronikon changed to Mk5

Approx. Mass ±110 (LBS)		Center of Gravity ±2 (inch)	
Type	Pack	Dim.	Pack
ZR30	2535	W	20.3
ZR37	2646	L	38.0
ZR45	2694	H	23.9


All materials supplied are in compliance with the requirements of the List of Prohibited Substances

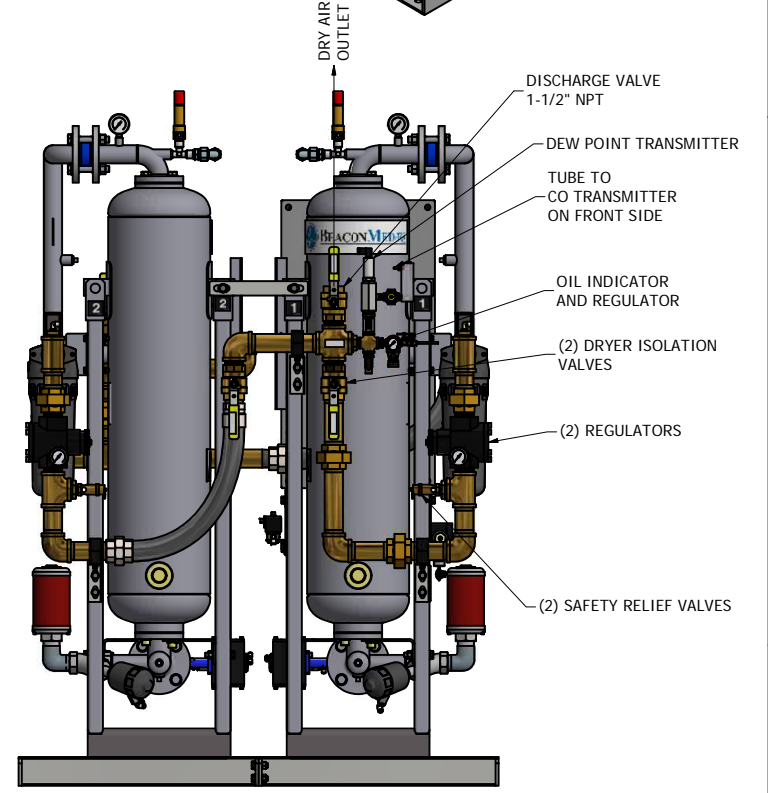
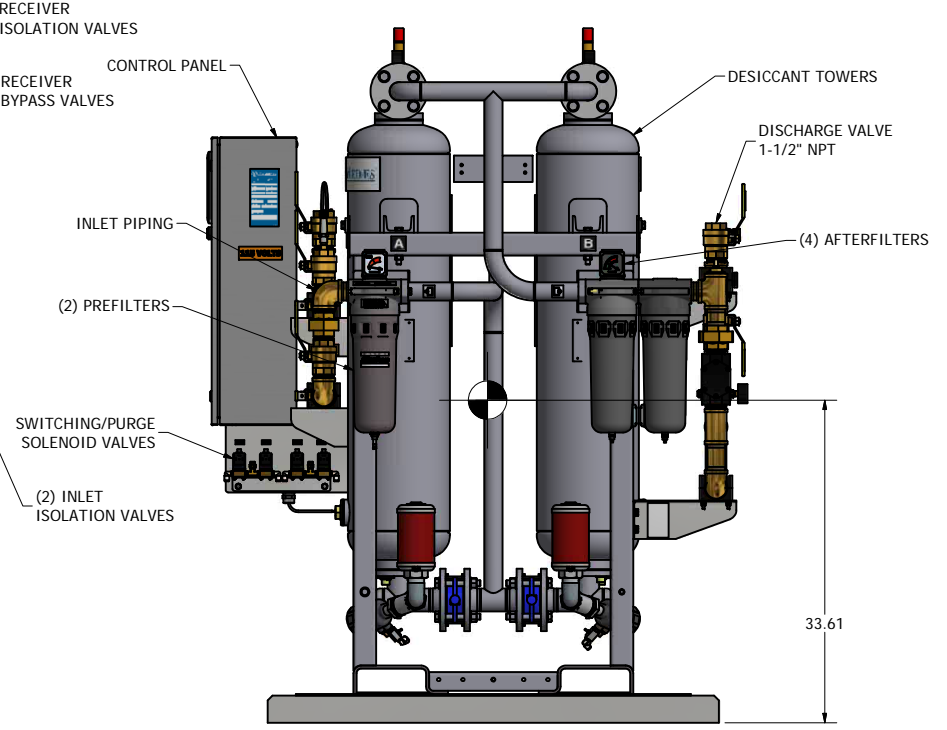
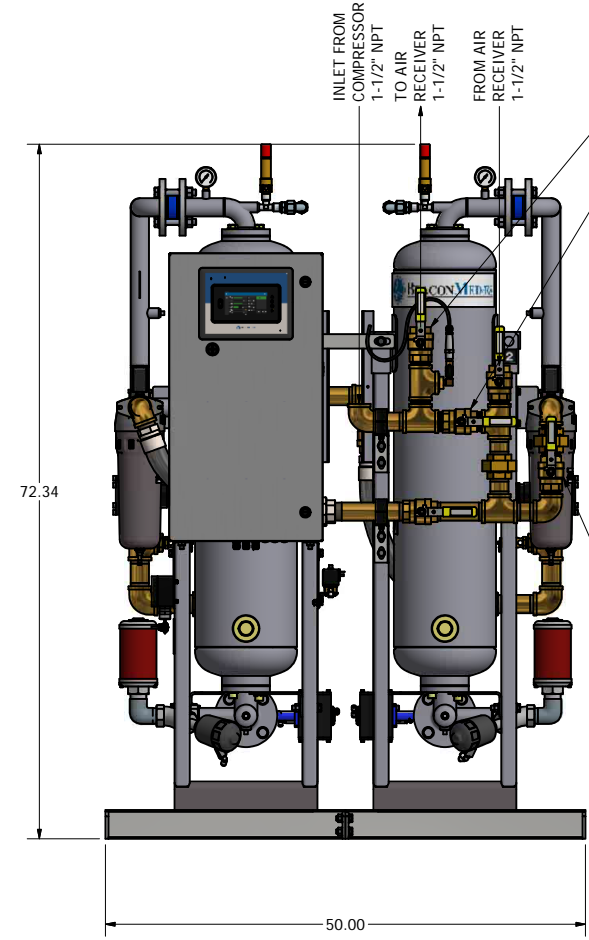
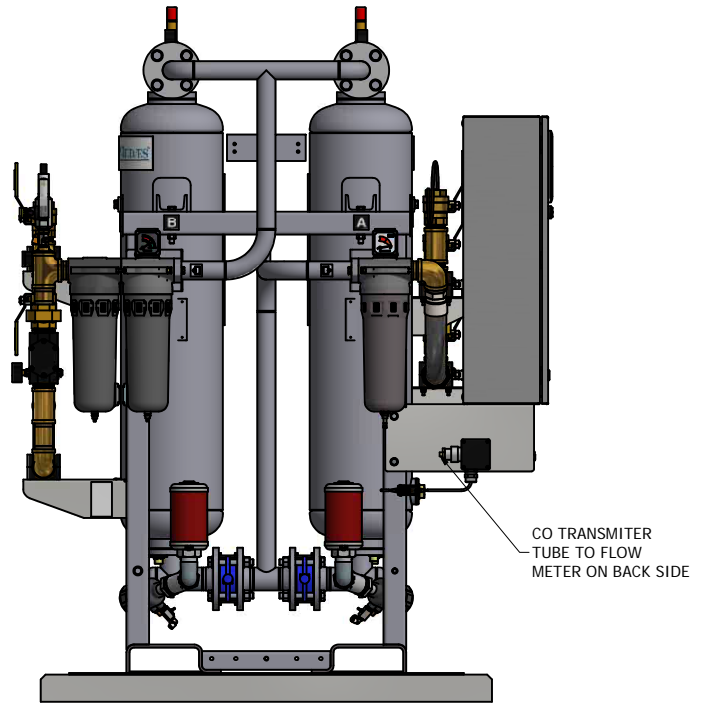
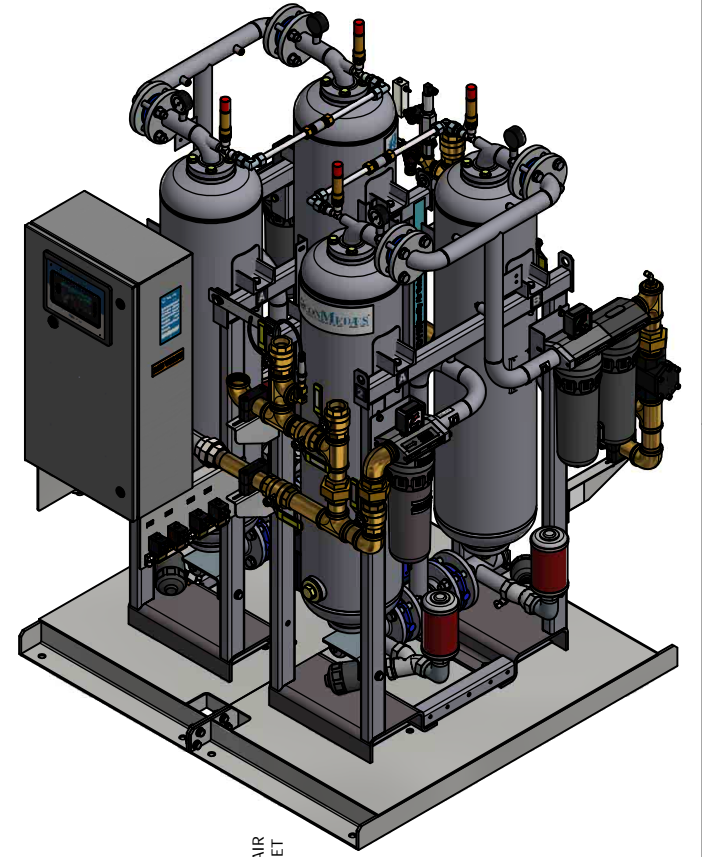
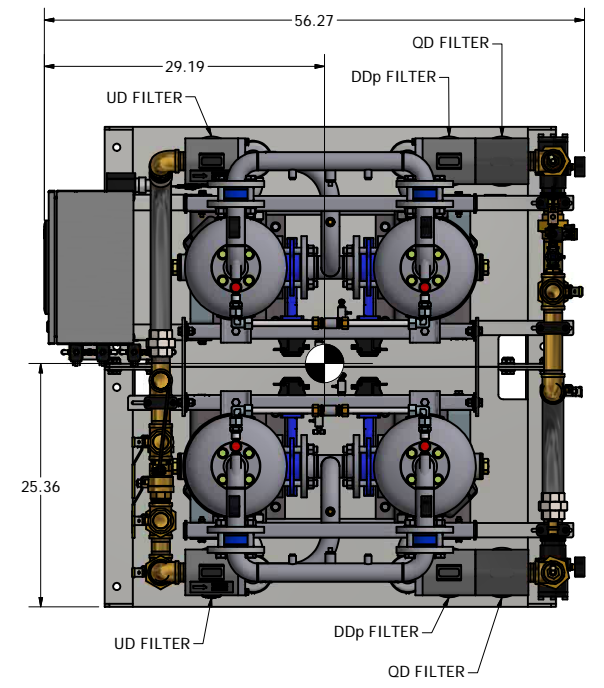
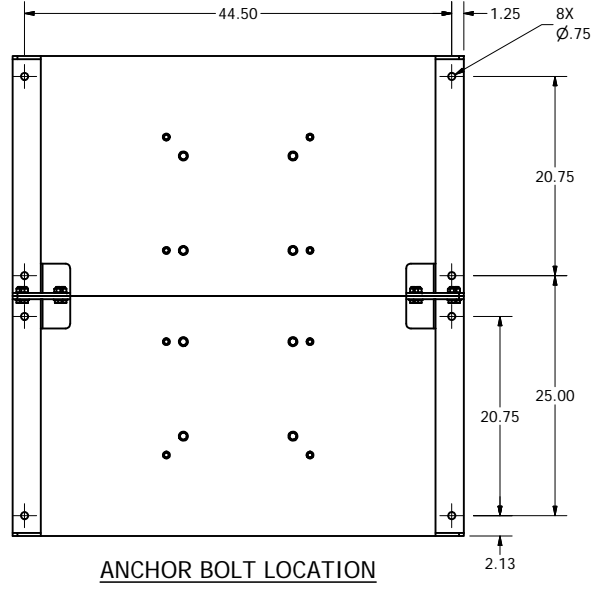
9820576900


Name		DIMENS.		ZR30-45 MED		Secrecy Class	112/KJ 3
Material		NOT APPLICABLE				INV	
Treatment		Not Applicable					
Scale		1:10		Family		A/Compare	
Drawn by		sraman		Blank nr.		Replaces	
Version Drwg		03.10		Blank wt.		0 Kg	
Des checked.		Prod checked.		Approved.		Date	
						2008-01-22	
Parent 3D model		Ed. Version 3D		02.11		Designation	
				9820576900		Sheet 1 / 1	
Approved						9820576900	

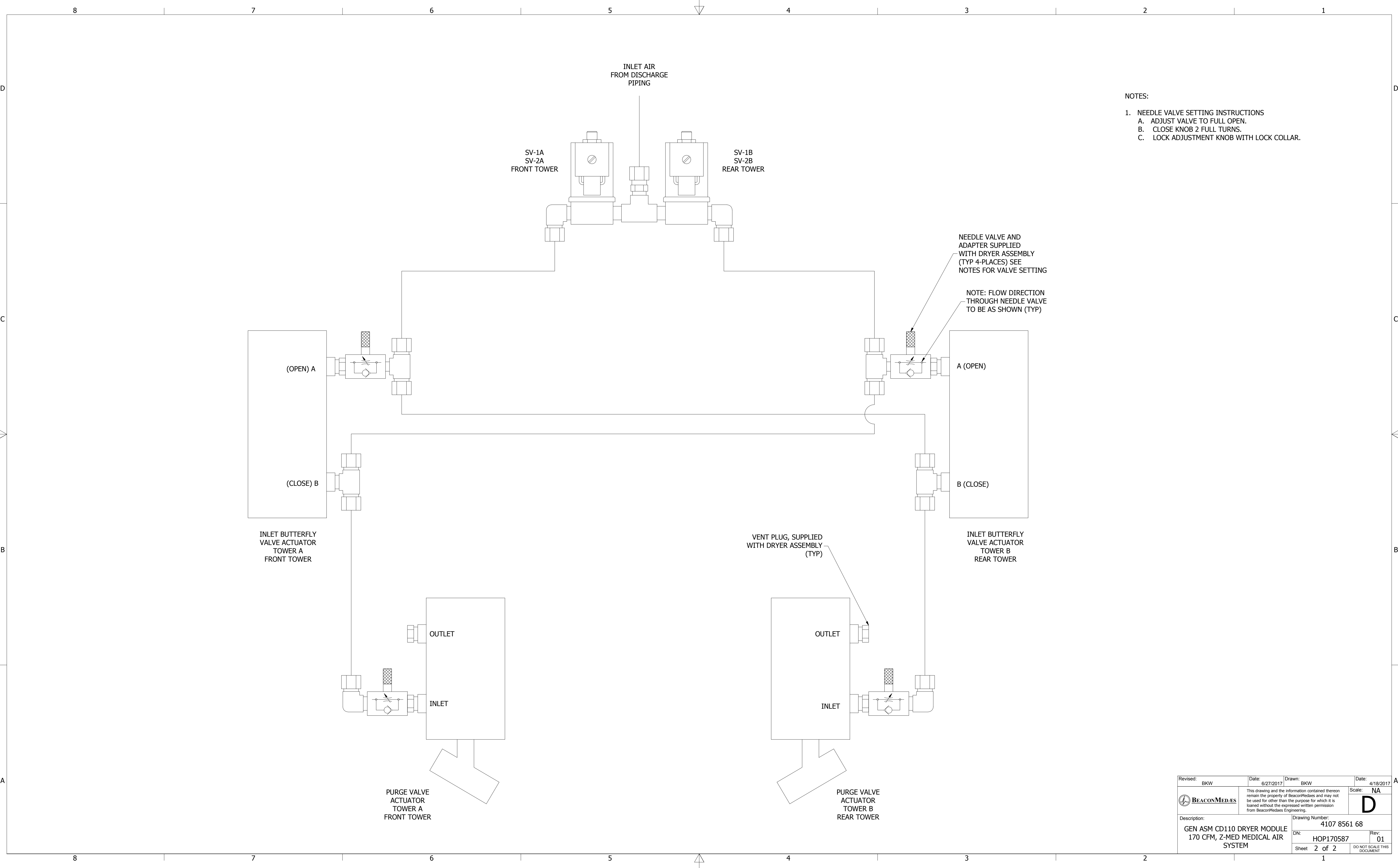
Note:
 * With full open door

Notes:

1. ALLOW A MINIMUM OF (2) FEET ON ALL SIDES OF DRYER PACKAGE FOR PROPER VENTILATION AND MAINTENANCE. BASEFRAMES ARE SHIPPED TOGETHER AND CAN BE UNBOLTED FOR PASSAGE THROUGH A STANDARD DOOR.
2. SHIPPING WIGHT: 1798 LBS.
3. SYSTEM CAPACITY: 170 CFM.
4. SYSTEM CAPACITY: 170 CFM.
5.  INDICATES CENTER OF GRAVITY.



Revised:	Date:	Drawn:	Date:
		MDB	9/30/2020
		This drawing and the information contained therein remain the property of BeaconMedes and may not be used for other than the purpose for which it is loaned without the expressed written permission from BeaconMedes Engineering.	
Description: GEN ASM CD110 DRYER MODULE 170 CFM, Z-MED MEDICAL AIR SYSTEM MK5 TOUCH		Drawing Number: 4107 8563 68	Scale: NA
Sheet 1 of 2		Rev: 00	DO NOT SCALE THIS DOCUMENT




- NOTES:
- NEEDLE VALVE SETTING INSTRUCTIONS
 - ADJUST VALVE TO FULL OPEN.
 - CLOSE KNOB 2 FULL TURNS.
 - LOCK ADJUSTMENT KNOB WITH LOCK COLLAR.

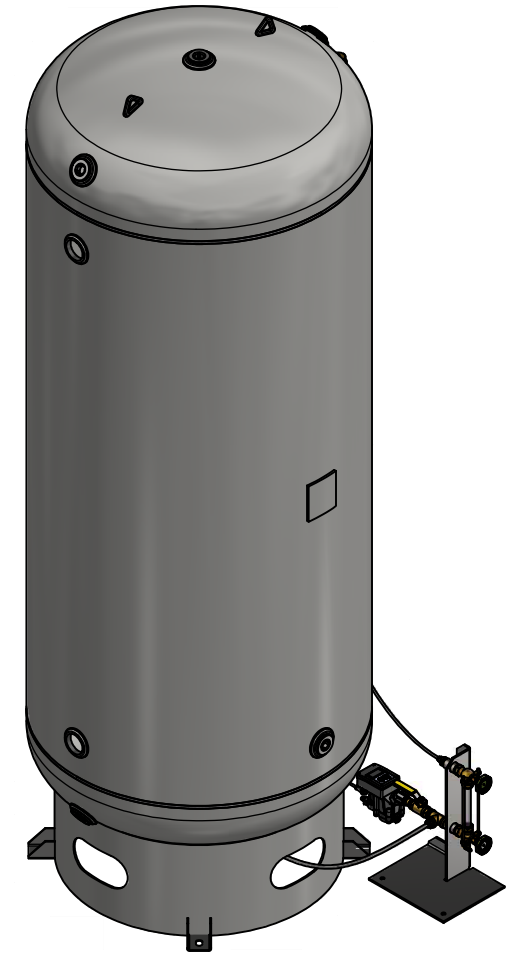
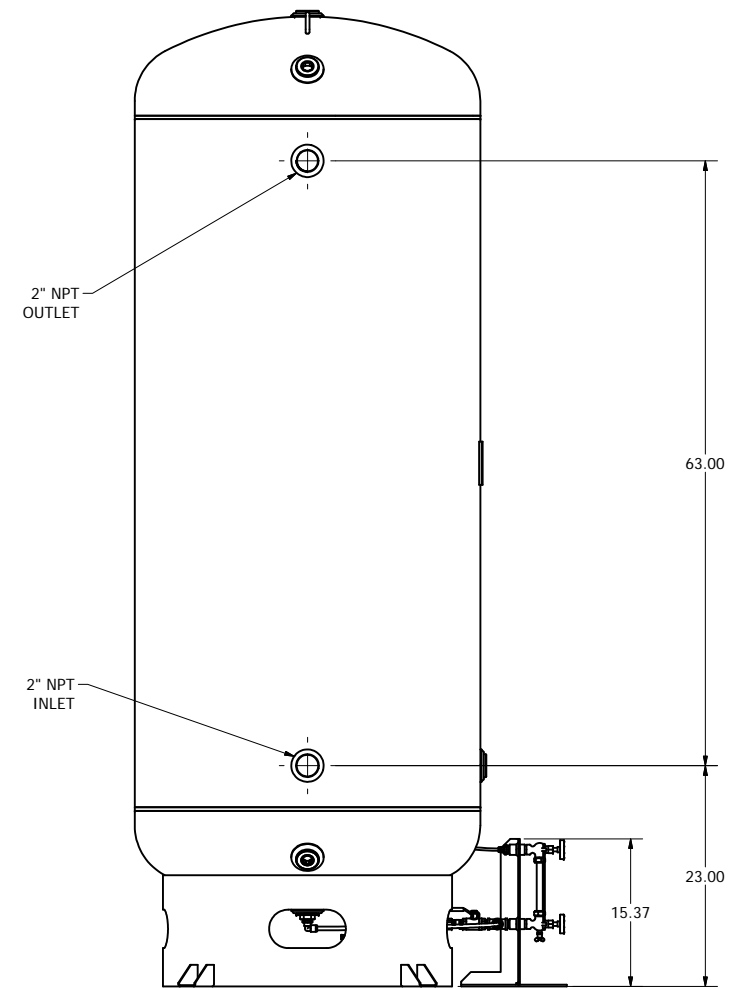
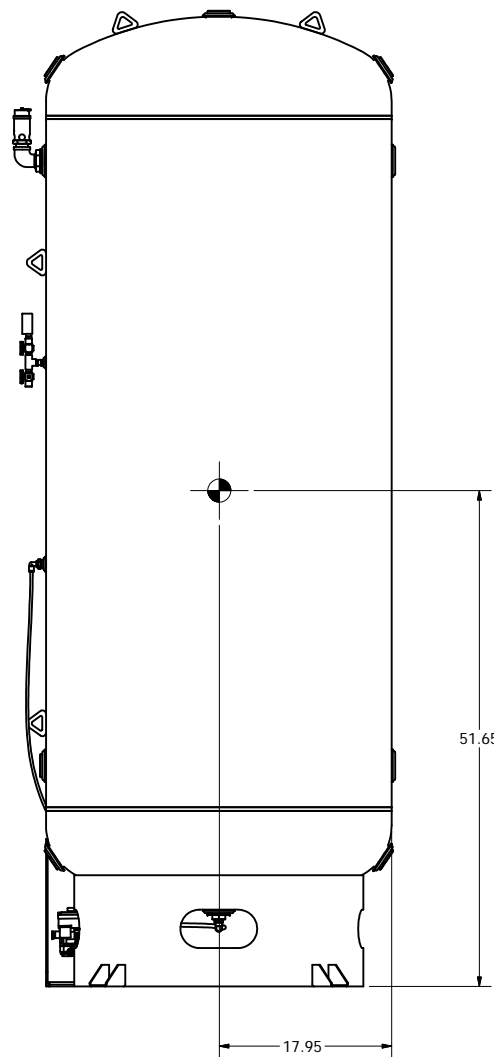
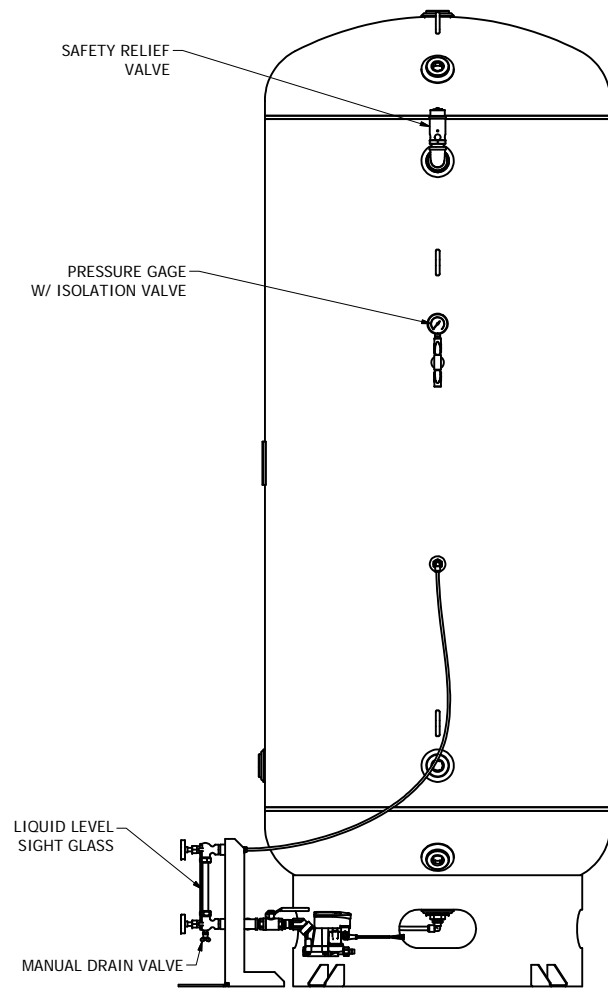
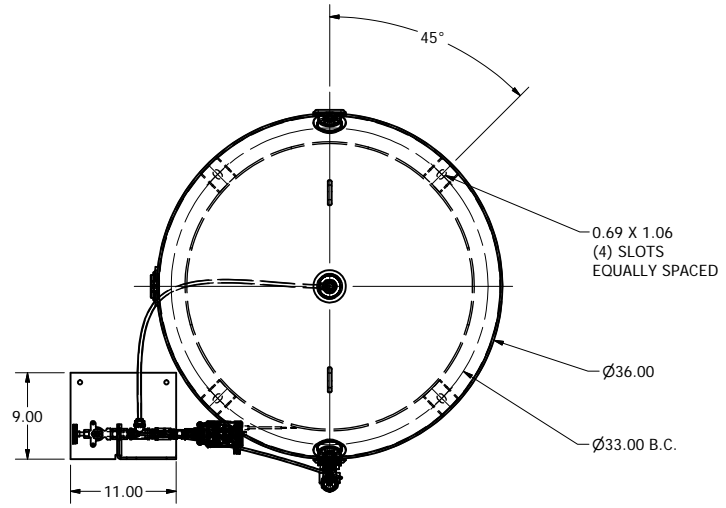
NEEDLE VALVE AND ADAPTER SUPPLIED WITH DRYER ASSEMBLY (TYP 4-PLACES) SEE NOTES FOR VALVE SETTING

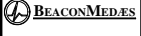
NOTE: FLOW DIRECTION THROUGH NEEDLE VALVE TO BE AS SHOWN (TYP)

VENT PLUG, SUPPLIED WITH DRYER ASSEMBLY (TYP)

Revised: BKW	Date: 6/27/2017	Drawn: BKW	Date: 4/18/2017
		This drawing and the information contained therein remain the property of BeaconMedaes and may not be used for other than the purpose for which it is loaned without the expressed written permission from BeaconMedaes Engineering.	
Description: GEN ASM CD110 DRYER MODULE 170 CFM, Z-MED MEDICAL AIR SYSTEM		Drawing Number: 4107 8561 68	
DN: HOP170587	Rev: 01	Scale: NA	D
Sheet 2 of 2	DO NOT SCALE THIS DOCUMENT		

- Notes:
1. ASME CODE CONSTRUCTION.
 2. DESIGN PRESSURE: 200 PSI AT 400°F.
 3. NATION BOARD REGISTERED.
 4. ALL OPENINGS ARE NPT THREADED.
 5. WEIGHT: 775 LBS (TANK) AND 22 LBS (SIGHT GLASS ASM).
 6.  DENOTES CENTER OF GRAVITY.



Revised:	Date:	Drawn: MDB	Date: 7/8/2021
		This drawing and the information contained therein remain the property of BeaconMedes and may not be used for other than the purpose for which it is loaned without the expressed written permission from BeaconMedes Engineering.	
Description: AIR RECEIVER TANK - 400 GALLON W/STAND ALONE SIGHT GLASS & DRAIN		Drawing Number: 4107 0082 32	Scale: 1/10
DN: HOP211010		Rev: 00	Sheet 1 of 1
		DO NOT SCALE THIS DOCUMENT	