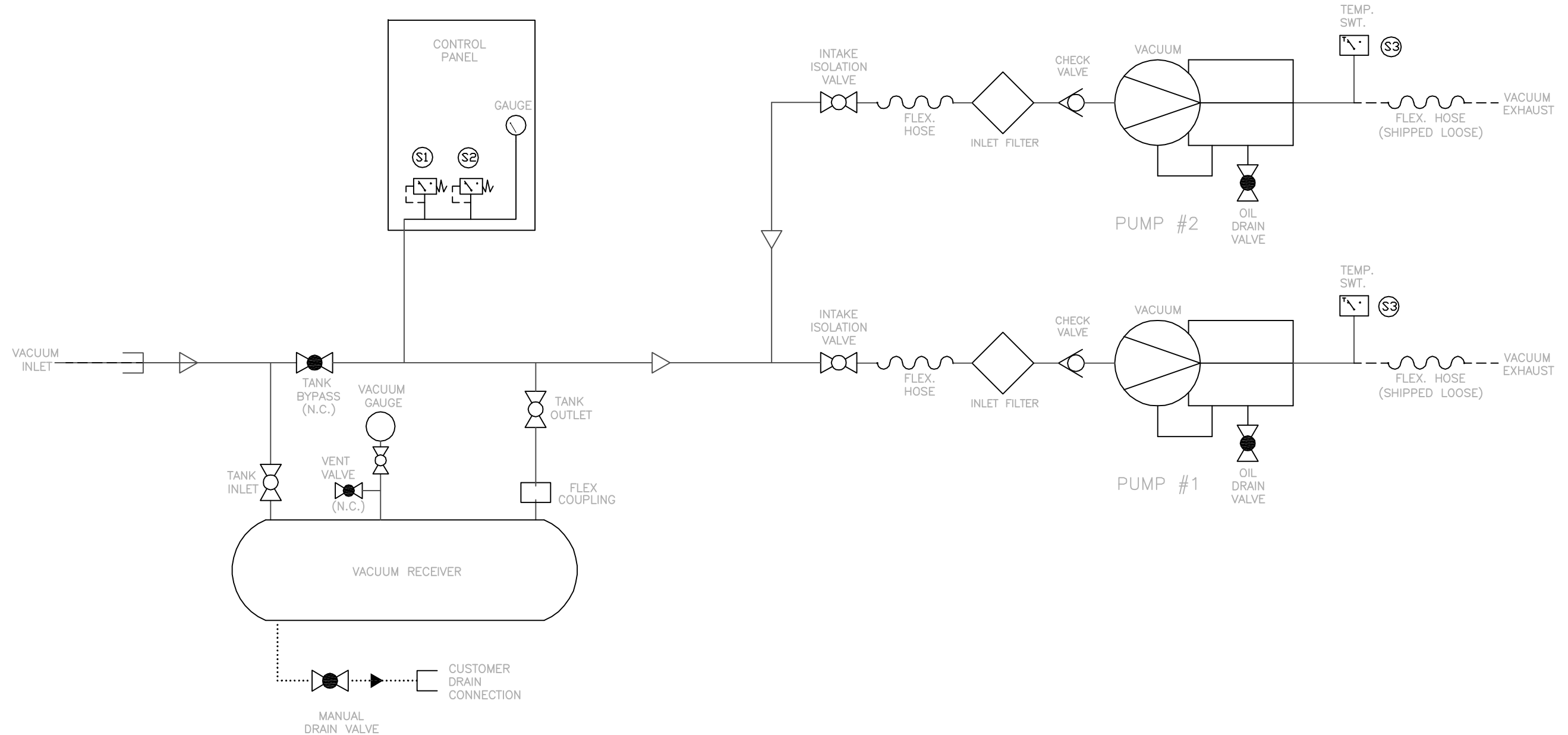
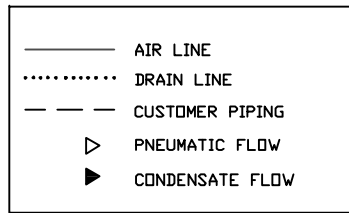


This drawing and the information contained thereon remain the property of BeaconMedas and may not be used for other than the purpose for which it is loaned without the expressed written permission from BeaconMedas Engineering.

INSTRUMENTATION DETAILS			
SENSOR	DESCRIPTION	SETTING	ACTION
S1	LEAD VAC SWT.	REF. WIRING DIA	OPERATION
S2	BACKUP VAC SWT.	REF. WIRING DIA	BACKUP OPERATION
S3	HIGH DISCH TEMP SWT.	1.5-SHP 245°F	SHUTDOWN



REVISION	DATE	DRAWN	DATE
		JEB	5/9/11
		This drawing and the information contained thereon remain the property of BeaconMedas and may not be used for other than the purpose for which it is loaned without the expressed written permission from BeaconMedas Engineering.	
Description: PNEUMATIC DIAGRAM DX 1.5-SHP LUBE VAC TANK MNT-BASIC		Part Number: 4107 8531 15	Scale: NTS
DRN: HOP110562		Rev: 00	DO NOT SCALE THIS DOCUMENT
Sheet 1 of 1			