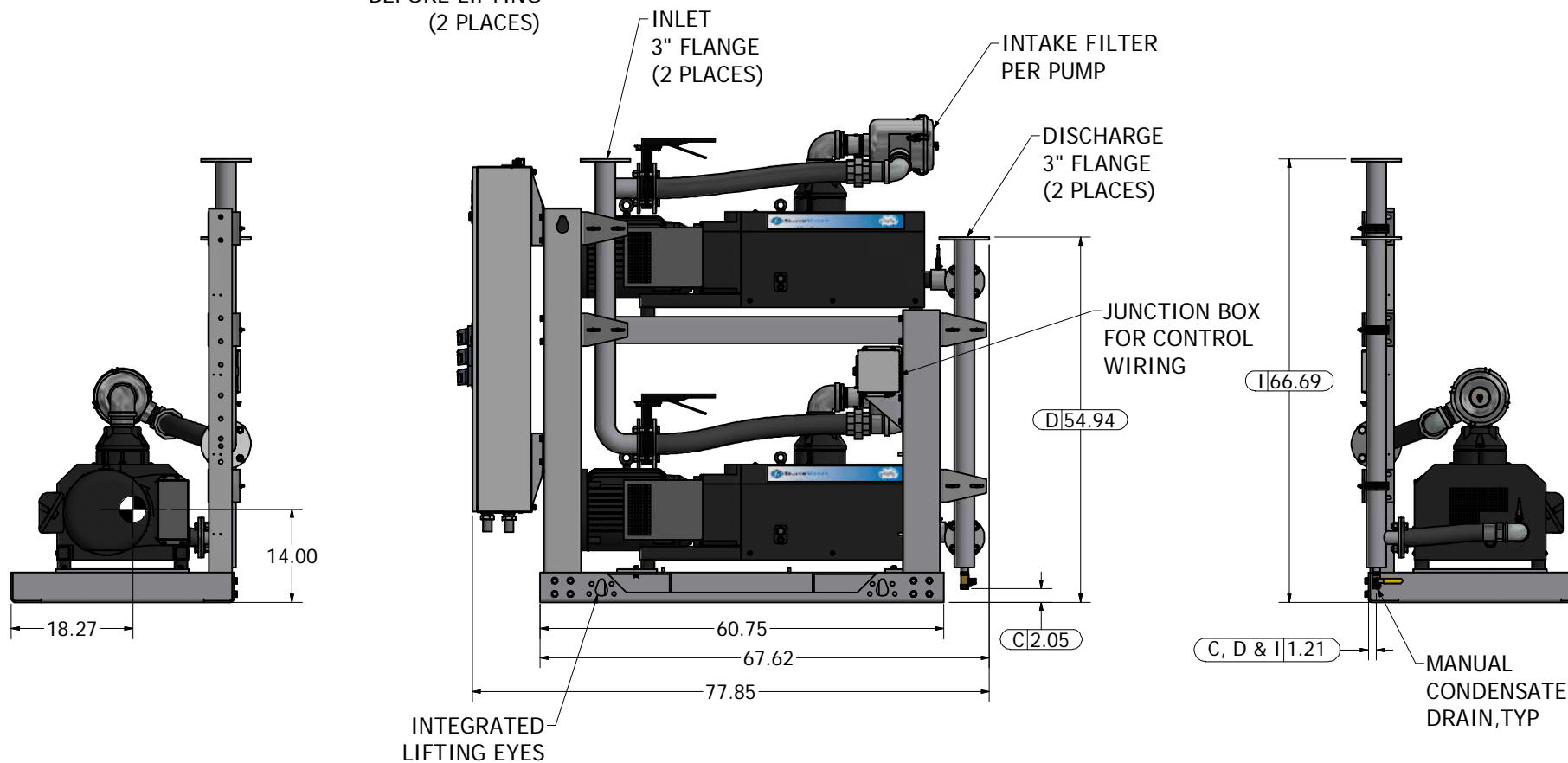
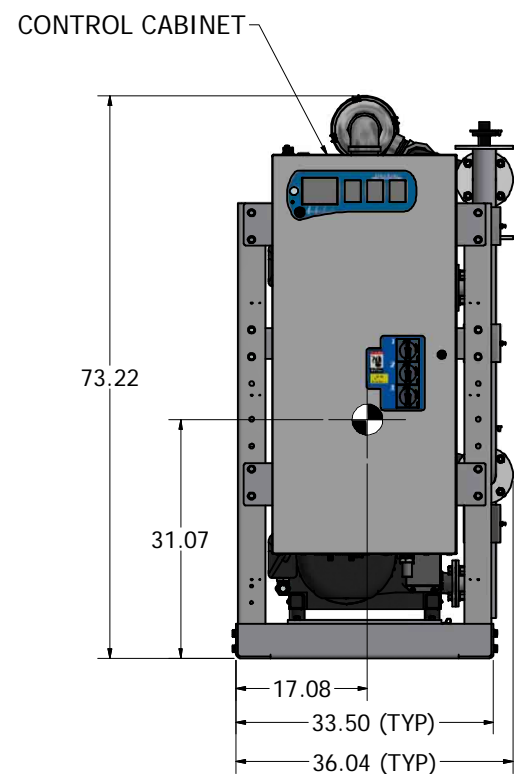
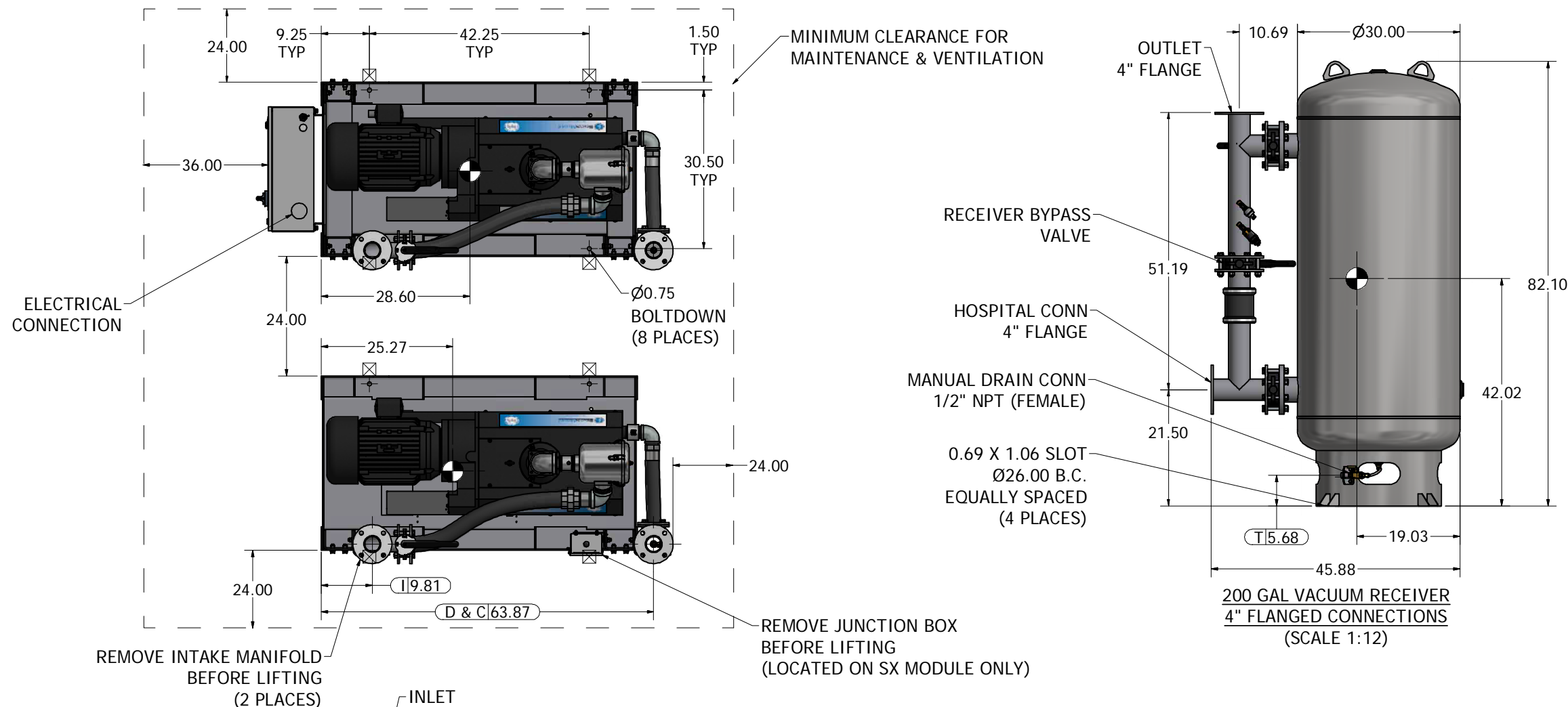


Notes:

- DISCHARGE MUFFLERS WILL BE SHIPPED LOOSE.
- WEIGHT OF DUPLEX MODULE W/ PANEL: 2,333 LBS  
WEIGHT OF SIMPLEX MODULE W/O PANEL: 1,219 LBS  
200G TANK WEIGHT: 658 LBS
- ☒ INDICATES LIFTING POINT.
- DENOTES CENTER OF GRAVITY.

SYSTEM CONNECTIONS	
ID	DESCRIPTION
I	INLET LOCATION
D	DISCHARGE LOCATION
C	CONDENSATE DRAIN LOCATION
T	TANK DRAIN LOCATION



Revised: MDB	Date: 06/05/2019	Drawn: JWO	Date: 02/07/2014
		This drawing and the information contained therein remain the property of BeaconMedes and may not be used for other than the purpose for which it is loaned without the expressed written permission from BeaconMedes Engineering.	
Description: GENERAL ASSEMBLY 15HP TX CLAW VAC MOD 200G RECEIVER STANDARD		Part Number: 4107 8549 04	
DN: BM190346		Rev: 01	
Sheet 1 of 1		DO NOT SCALE THIS DOCUMENT	