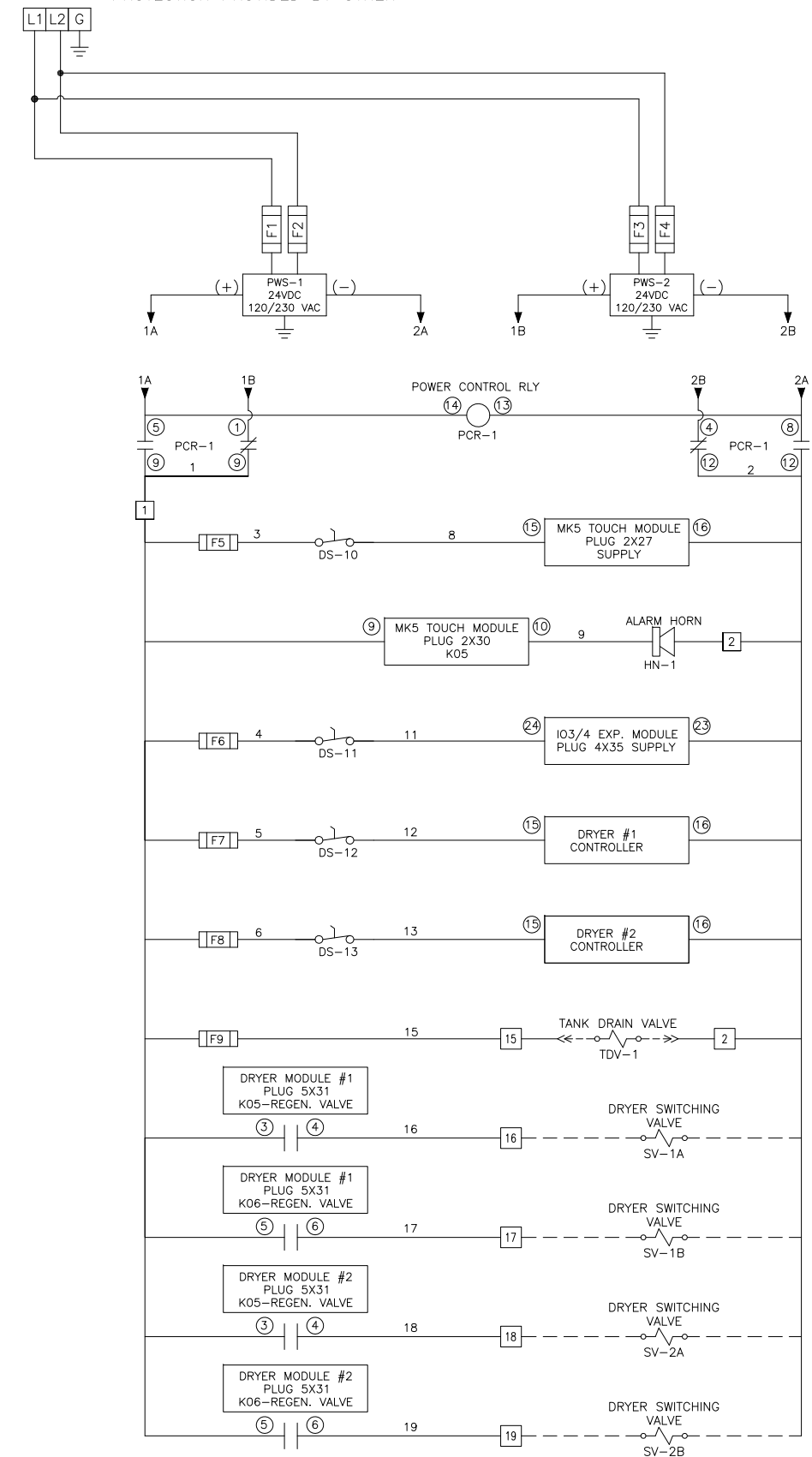
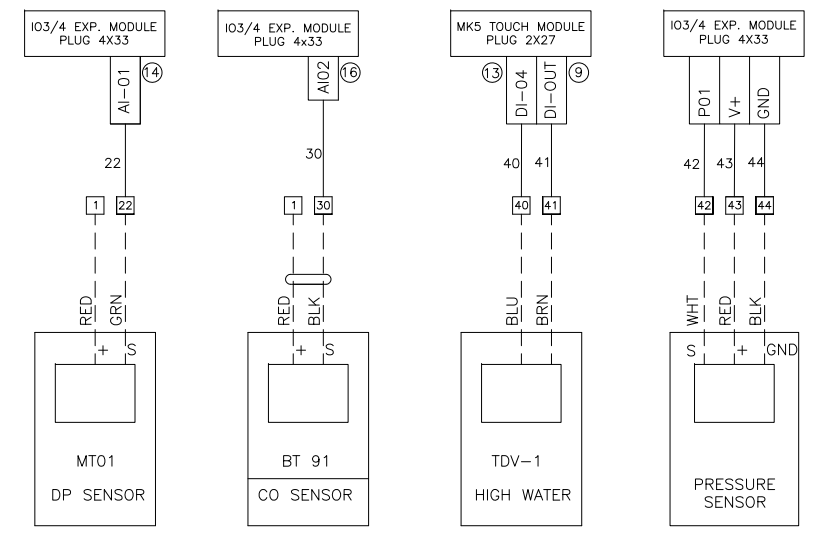
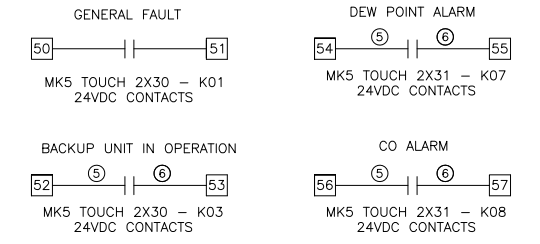


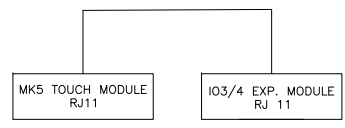
120 VOLTS
1 ϕ
50/60 HZ
MAIN DISCONNECT AND CIRCUIT
PROTECTION PROVIDED BY OTHER



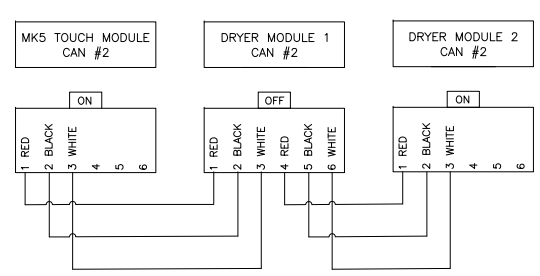
AUXILIARY CONTACTS



COMMUNICATION BETWEEN MODULES



COMMUNICATION BETWEEN MODULES



FUSE SELECTION CHART
(MAX FUSE SIZES SHOWN)

FUSE	120V
F1/F2/F3/F4	4.0 AMPS
F5/F6/F7/F8	1.25 AMPS
F9	1 AMPS

F1/F2/F3/F4 ARE LITTELFUSE 218 SERIES 250V TYPE
F5/F6/F7/F8 ARE LITTELFUSE 239 SERIES 250V TYPE
F9 ARE LITTELFUSE 2AG 250V TYPE

Revised: MDB	Date: 10/04/22	Drawn: MDB	Date: 05/04/21
			Scale: NTS
Description: DWG WIRING CONTROL CD100-300 MK5 TOUCH ZT COMPRESSORS ONLY			Part Number: 4107 8574 43 Rev: HOP220540 02
Sheet 1 of 1			DO NOT SCALE THIS DOCUMENT