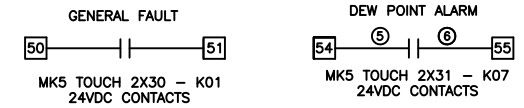
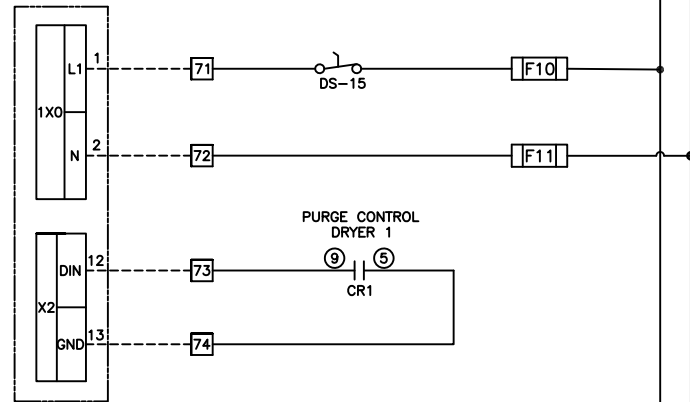


AUXILIARY CONTACTS

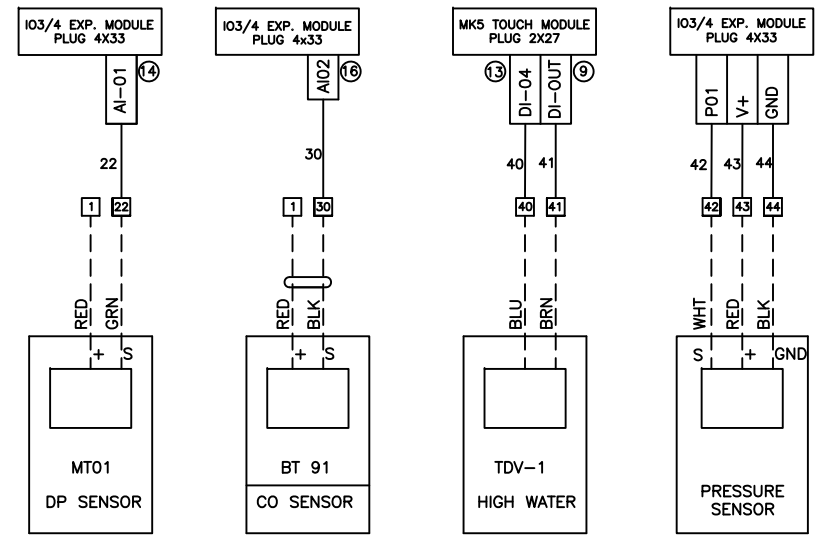
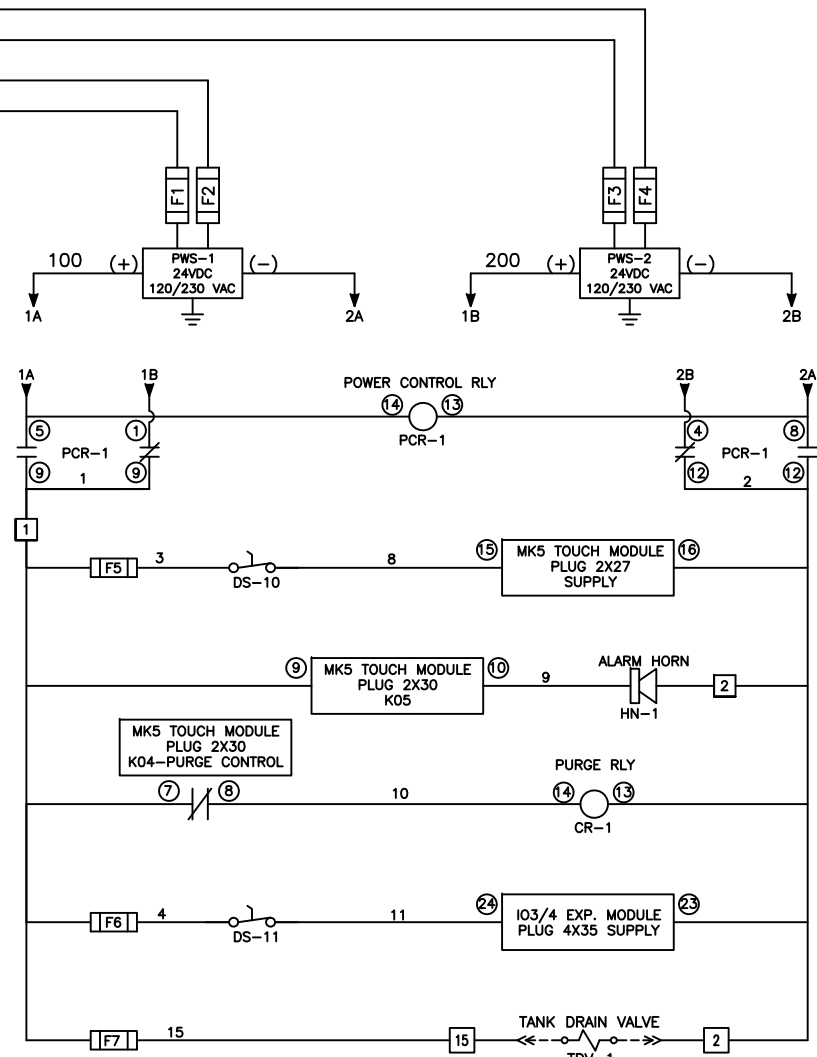
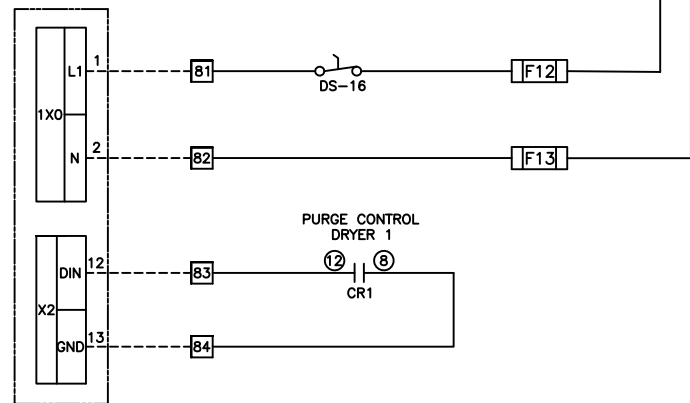


120 VOLTS
1 ϕ
50/60 HZ
MAIN DISCONNECT AND CIRCUIT
PROTECTION PROVIDED BY OTHER

DRYER 1
CD CONTROLLER



DRYER 2
CD CONTROLLER



FUSE SELECTION CHART
(MAX FUSE SIZES SHOWN)

FUSE	120V
F1/F2/F3/F4	4.0 AMPS
F5/F6	1.25 AMPS
F7	1 AMPS
F10/F11/F12/F13	6.3 AMPS

F1/F2/F3/F4/F10/F11/F12/F13 ARE
LITTELFUSE 218 SERIES 250V TYPE
F5/F6/F7/F8 ARE LITTELFUSE 239 SERIES 250V TYPE
F9 ARE LITTELFUSE 2AG 250V TYPE

COMMUNICATION BETWEEN MODULES

