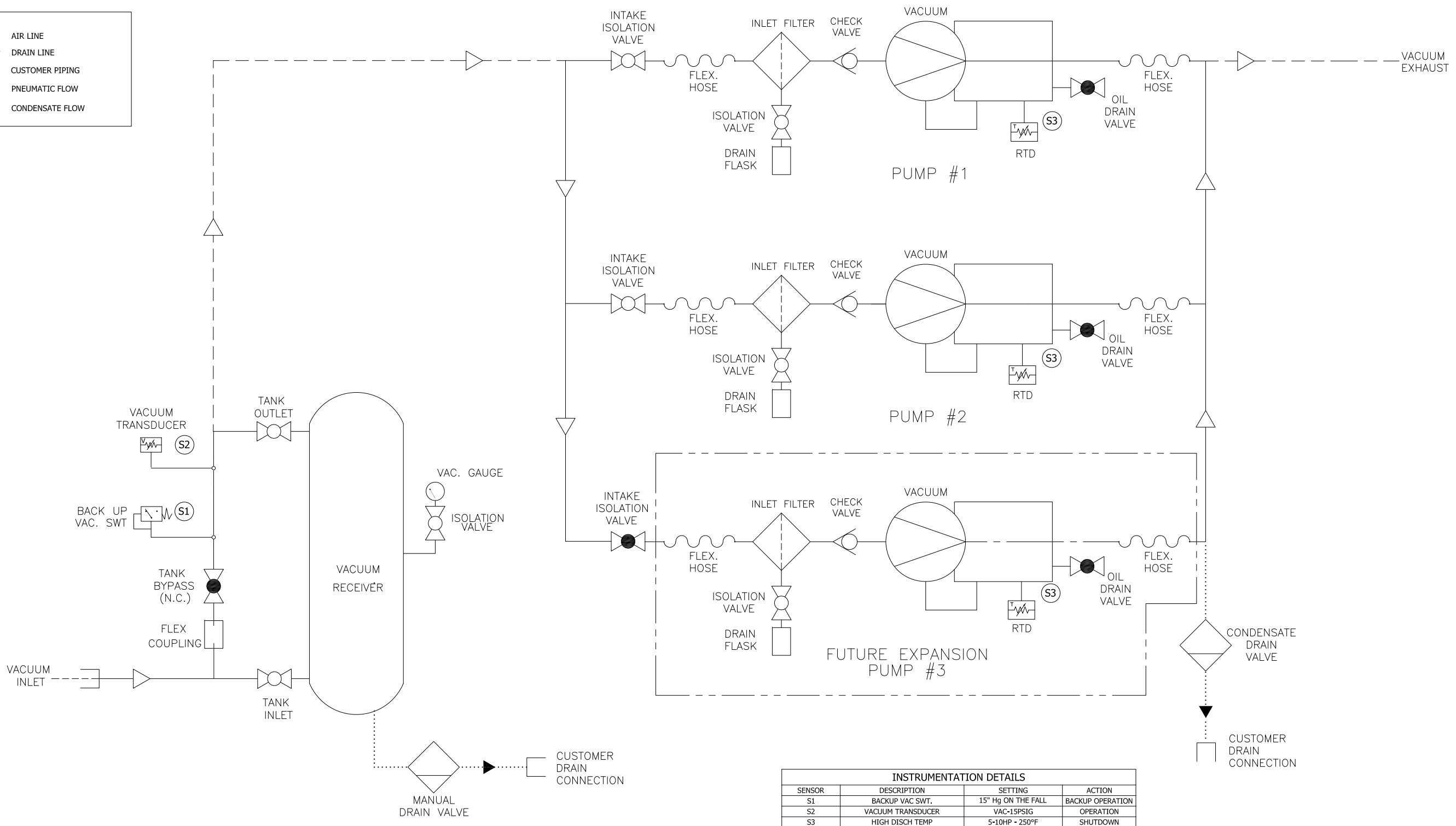
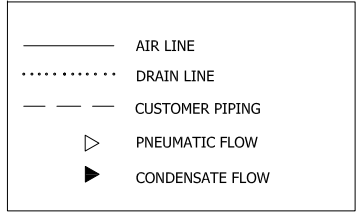


This drawing and the information contained thereon remain the property of BeaconMedas and may not be used for other than the purpose for which it is loaned without the expressed written permission from BeaconMedas Engineering.



INSTRUMENTATION DETAILS			
SENSOR	DESCRIPTION	SETTING	ACTION
S1	BACKUP VAC SWT.	15" Hg ON THE FALL	BACKUP OPERATION
S2	VACUUM TRANSDUCER	VAC-15PSIG	OPERATION
S3	HIGH DISCH TEMP	5-10HP - 250°F	SHUTDOWN

Revised: EYP	Date: 11/01/2021	Drawn: JEB	Date: 12/01/10
		This drawing and the information contained thereon remain the property of BeaconMedas and may not be used for other than the purpose for which it is loaned without the expressed written permission from BeaconMedas Engineering.	
Description: PNEUMATIC DIAGRAM DX-X-TX 5-10HP LUBE VAC MOD		Part Number: 4107 8523 43 DN: HOP211239 Sheet 1 of 1	
Scale: NTS 		Rev: 01 DO NOT SCALE THIS DOCUMENT	