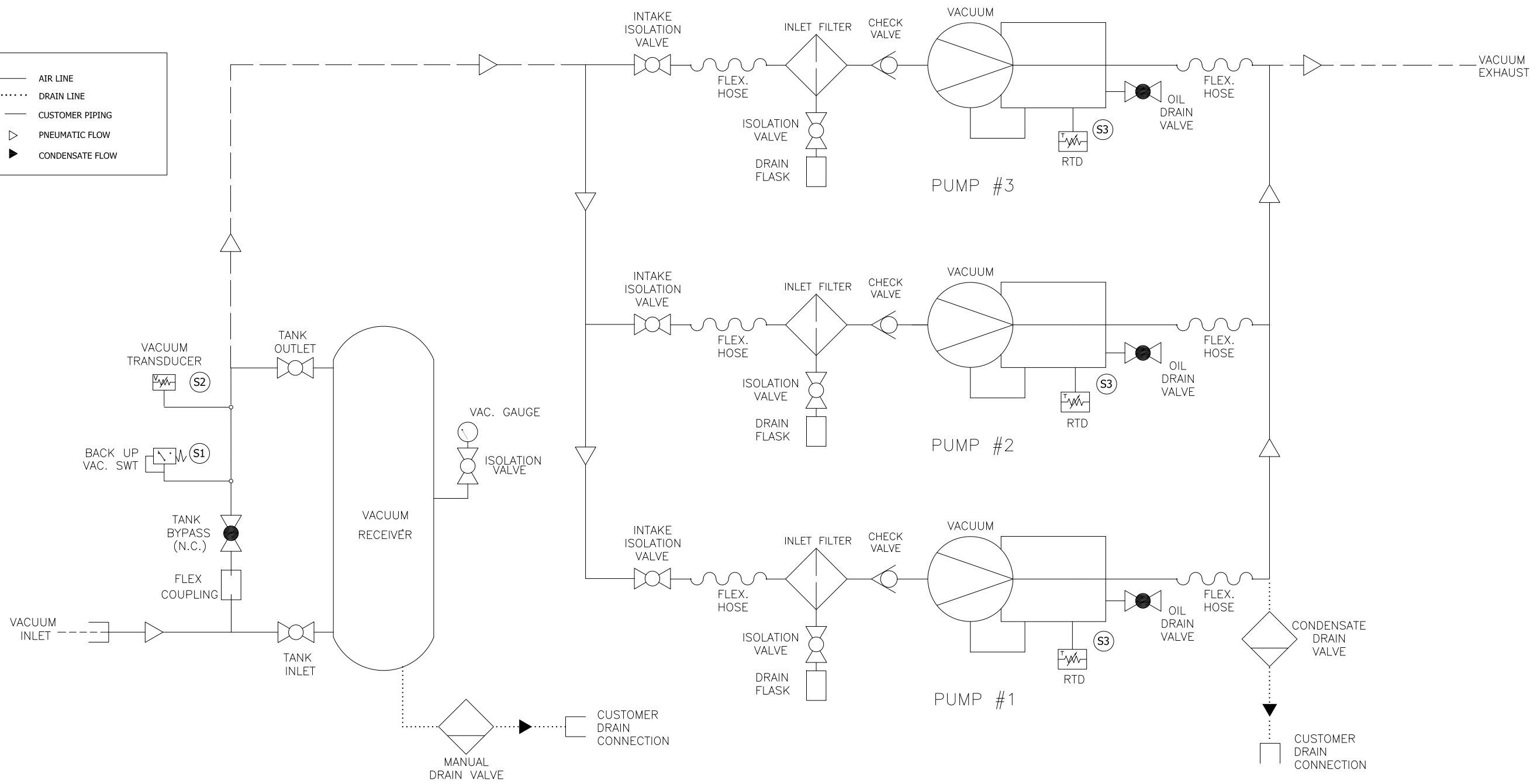
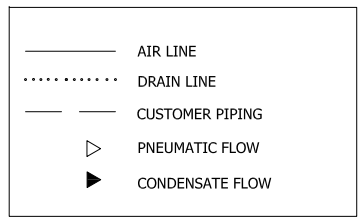


This drawing and the information contained therein remain the property of BeaconMedas and may not be used for other than the purpose for which it is loaned without the expressed written permission from BeaconMedas Engineering.



| INSTRUMENTATION DETAILS | | | |
|-------------------------|-------------------|--------------------|------------------|
| SENSOR | DESCRIPTION | SETTING | ACTION |
| S1 | BACKUP VAC. SWT. | 15" Hg ON THE FALL | BACKUP OPERATION |
| S2 | VACUUM TRANSDUCER | VAC-15PSIG | OPERATION |
| S3 | HIGH DISCH TEMP | 5-10HP - 250°F | SHUTDOWN |

| | | | |
|---|------------------|---------------------------------------|----------------|
| Revised: EYP | Date: 11/01/2021 | Drawn: JEB | Date: 12/01/10 |
| | | Scale: NTS D | |
| Description: PNEUMATIC DIAGRAM TX 5-10HP LUBE VAC MOD | | Part Number: 4107 8523 38 | |
| DN: HOP211239 Sheet 1 of 1 | | Rev: 01 DO NOT SCALE THIS DOCUMENT | |