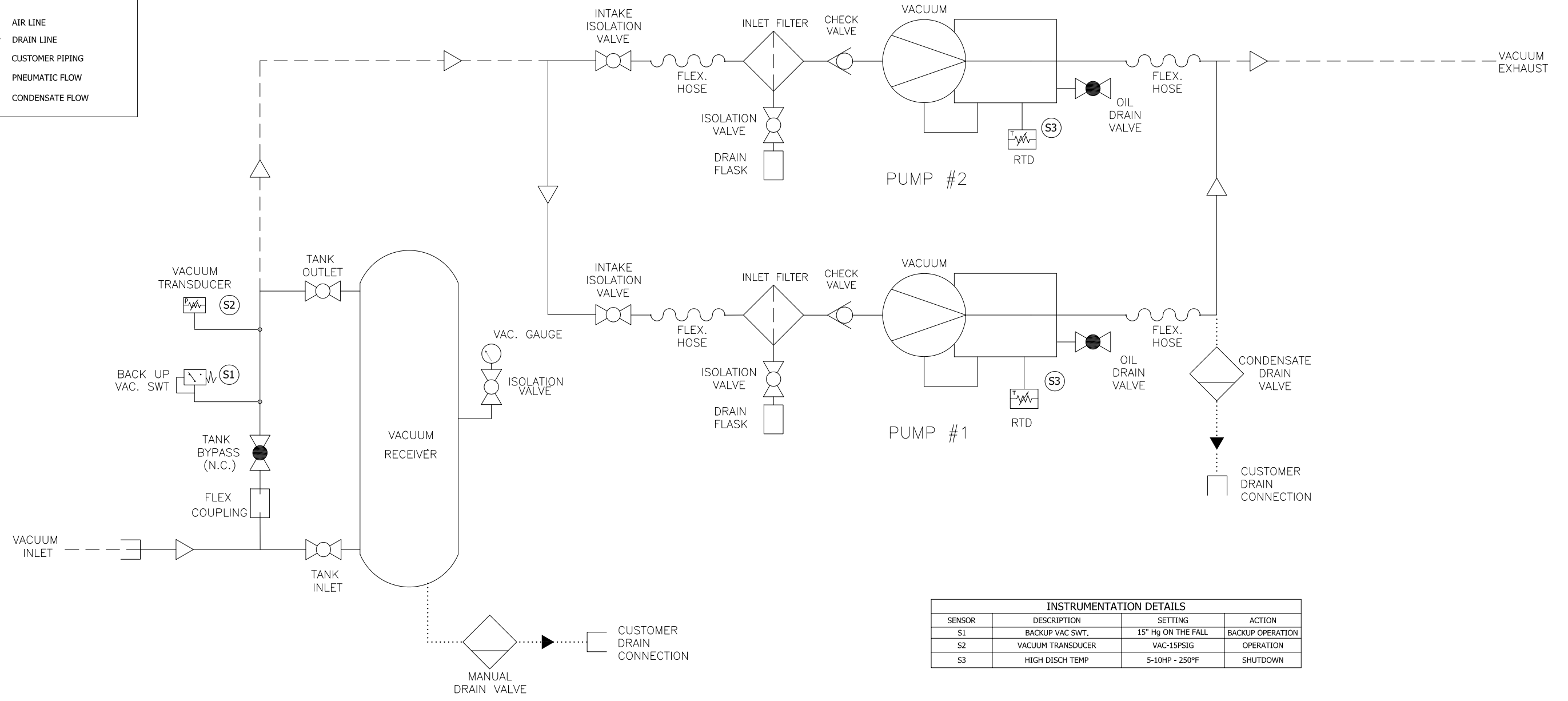
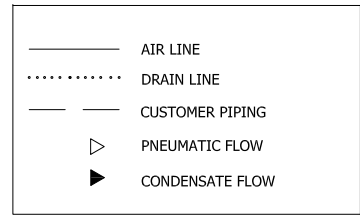


This drawing and the information contained therein remain the property of BeaconMedas and may not be used for other than the purpose for which it is loaned without the expressed written permission from BeaconMedas Engineering.



INSTRUMENTATION DETAILS			
SENSOR	DESCRIPTION	SETTING	ACTION
S1	BACKUP VAC SWT.	15" Hg ON THE FALL	BACKUP OPERATION
S2	VACUUM TRANSDUCER	VAC-15PSIG	OPERATION
S3	HIGH DISCH TEMP	5-10HP - 250°F	SHUTDOWN

Revised: EYP	Date: 11/01/2021	Drawn: JEB	Date: 11/30/10
			Scale: NTS
Description: <b>PNEUMATIC DIAGRAM DX</b> <b>5-10HP LUBE VAC MOD</b>			Part Number: <b>4107 8523 37</b>
DN: HOP211239		Rev: 01	
Sheet 1 of 1		DO NOT SCALE THIS DOCUMENT	