



Clean, dry **medical air**

Medical Air Dryers



Medical Air Dryers



Clean, dry
medical air

The single point connection **LifeLine** medical air dryer delivers clean, dry medical air all the time. Factory pre-wired and pre-piped in accordance with NFPA 99, this all-inclusive package includes:

- Two twin tower desiccant dryers with highly durable 441™ transfer valves
- Fully duplexed prefilters, afterfilters, regulators and relief valves
- Integral purge saving control system

High efficiency coalescing filters remove particles and liquids from the air stream to protect the dryers and to protect your medical air delivery. The repressurization cycle in the dryer add an additional safeguard against desiccant dusting and valve wear.

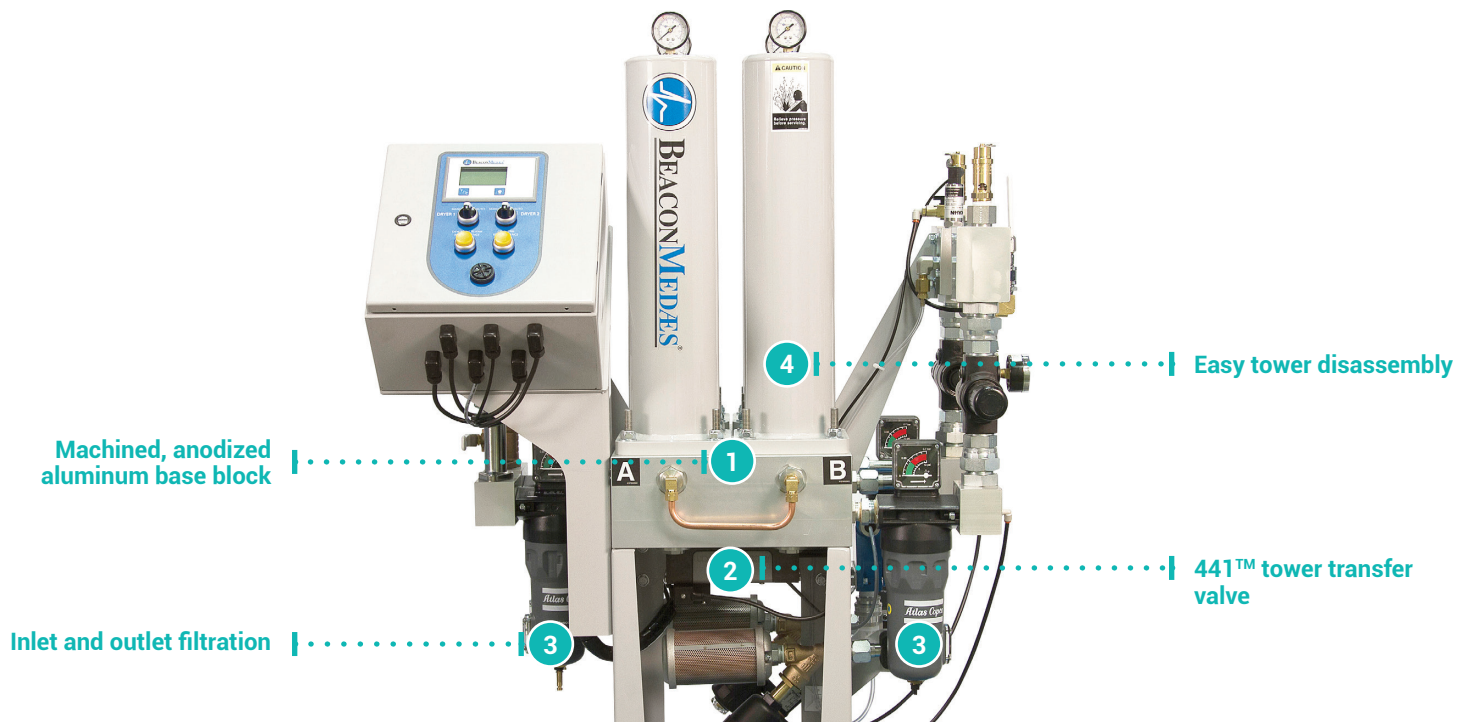




Dryer efficiency – Dew point purge

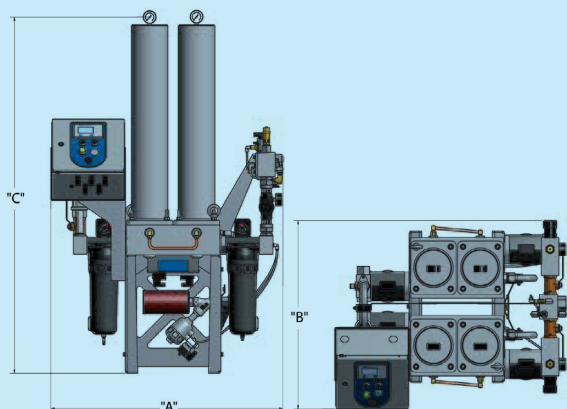
The **LifeLine** heatless desiccant dryers utilize dew point dependent purge control to guarantee the lowest possible energy losses for desiccant regeneration while delivering a totally stable and reliable dew point. Purge air is minimized with tower switching based on dew point readings, so when the medical air demand is low, so is your energy consumption.

The drying towers are sized specifically for peak calculated demand in medical air applications and capable of producing a -10°C pressure dew point. Unlike industrial dryers applied to medical air applications, the **LifeLine** dryers don't waste energy, footprint, or desiccant to achieve unnecessarily low dew points. With smaller towers, less purge air is required to regenerate the drying towers, saving you additional energy dollars.



Simplicity

Designed for efficiency in the medical air system, the **LifeLine** medical air dryer's simple design begins with a machined, anodized aluminum base block, bringing leak-free and low pressure drop to the drying process, saving you on compressor power. Flanged fittings on the major connections ensure even fewer potential leak points, avoiding wasteful air losses.

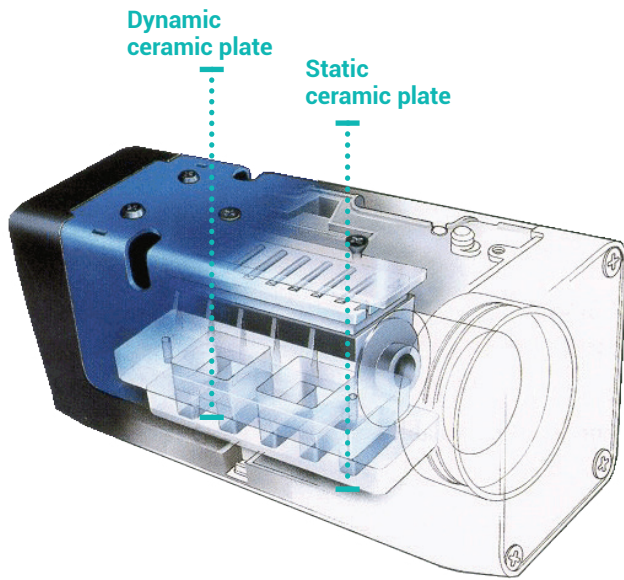


Dimensions (in.)			
Model	A	B	C
LDD35	30.5"	22"	39"
LDD55	30.5"	22"	48"
LDD75	34.5"	31"	46.5"
LDD105	34.5"	31"	53"
LDD155	38"	25.75"	53.5"
LDD200	38"	25.75"	60"

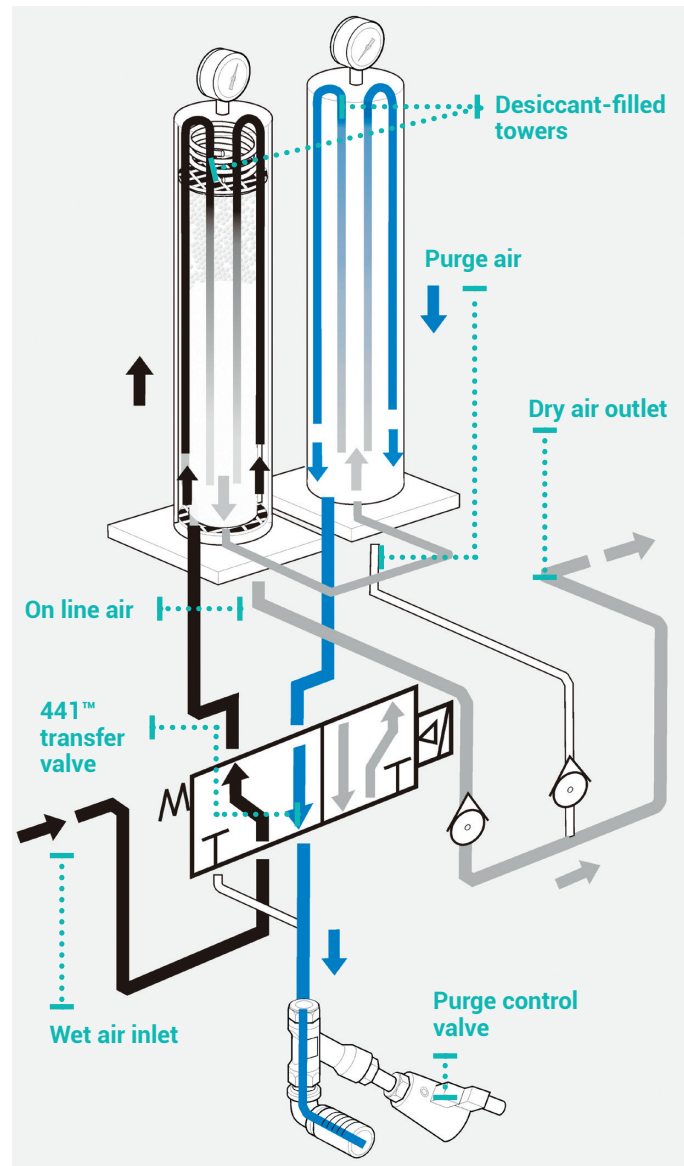
Air dryer specifications				
Model	Inlet Flow			
	75 psig		100 psig	
	SCFM	lpm	SCFM	lpm
DUPLEX WITH CO MONITOR				
LDD35	27	765	35	991
LDD55	44	1246	55	1557
LDD75	59	1671	75	2124
LDD105	82	2322	105	2973
LDD155	121	3426	155	4389
LDD200	156	4417	200	5663

Premium components

The 441™ transfer valve remains the heart of the LifeLine dryer. Inside the valve are two sliding ceramic plates that form a nearly perfect, almost indestructible seal. As these ceramic plates slide during each desiccant tower changeover, they wipe themselves clean of any particulates that typically destroy ordinary valve designs. The result is a maintenance free valve with extraordinary reliability. The tight seal eliminates costly loss of air that is common in other valve designs.



441™ transfer valve



Dryer airflow schematic



Life is in the details.®



www.beaconmedaes.com
© BeaconMedaes June 2021. 4107 9515 23