

Vacuum HEPA Inlet Filter Kits

SPECIFICATION

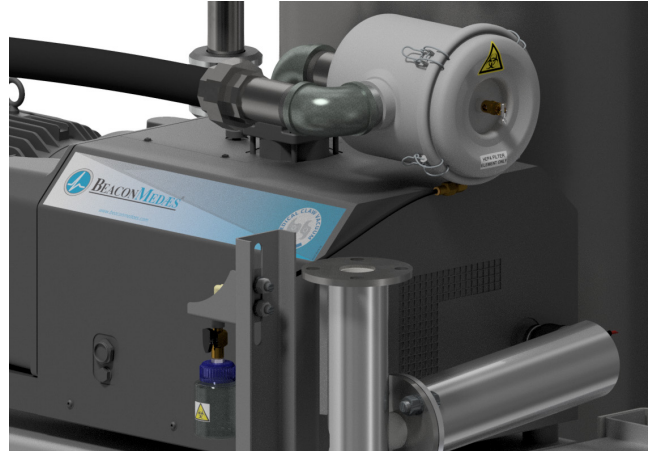
NFPA 99 Vacuum HEPA Filter Kits

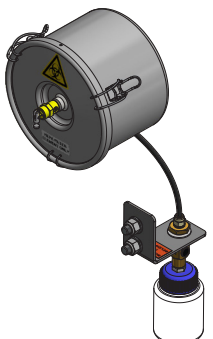
The HEPA Filter Kit contains a HEPA inlet air filter for mounting before each vacuum pump. A clear, glass collection jar mounts below each HEPA filter, with a quarter turn valve to isolate the collection jar from the filter during service. The inlet filter canister contains a bleed valve to relieve vacuum before servicing the filter. The HEPA inlet filter meets the requirements of NFPA 99 2018 and 2021 for vacuum.

Filter Canister: A corrosive resistant gray powder coat carbon steel canister with O-ring seal, features stainless steel torsion clips and a brass vacuum bleed valve. Canister labeled with Biohazard decal.

HEPA Filter Element: Heavy duty industrial strength glass fiber surrounded by heavy gauge galvanized expanded metal. The HEPA filter is rated at 99.97% efficiency at 0.3 micron, with classification E12 under EN 1822/ISO 30E under ISO 29463.

Glass Collection Jar: The glass flask is 100ML in size, contains a plastic cap and a Biohazard decal. The flask is suitable for steam sterilization to at least 134°C. A quarter turn brass plug valve is installed above the flask, to isolate the flask during service.



HEPA Inlet Filter Kits - Vacuum Systems	
	<p>All Kits include the following:</p> <ul style="list-style-type: none"> • FNPSK Canister with Filter • Drain Flask • Drain Flask Valve • Tubing with Connections • Drain Flask Bracket. <p>Some kits have additional components required for installation.</p>

Kit Part Number	Filter Canister Size	Additional Components
4107401895	1-1/4"	
4107401896	1-1/4"	(1) 1-1/4" x 3" Pipe Nipple
4107401897	1-1/4"	(1) 1-1/4" x 3" Pipe Nipple (1) 1-1/4" x 6" Pipe Nipple
4107401898	1-1/4"	(1) 1-1/4" x 2-1/2" Pipe Nipple (1) 1-1/4" x 6" Pipe Nipple
4107401899	1-1/4"	
4107401900	1-1/4"	(1) 1-1/4" x 6" Pipe Nipple (1) 1-1/4" x 8" Pipe Nipple
4107401902	2"	(1) 2" x 5" Pipe Nipple
4107401908	2"	(1) 2" x 3" Pipe Nipple (1) 2" x 5" Pipe Nipple
4107401909	2"	(1) 2" x 3" Pipe Nipple

Kit Part Number	Filter Canister Size	Additional Components
4107401910	2"	(1) 2" x 3" Pipe Nipple
4107401911	2"	(1) 2" x 3" Pipe Nipple (1) 2" x 4" Pipe Nipple
4107401914	2-1/2"	
4107402121	1-1/4"	(1) 1-1/4" x 2-1/2" Pipe Nipple
4107402122	2"	
4107402123	2"	(1) 2" x 5" Pipe Nipple (1) 2" x CL Pipe Nipple (1) 2" Union
4107402124	2-1/2"	
4107402125	2-1/2"	
4107402195	1-1/4"	(2) 1-1/4" x CL Pipe Nipple (1) 1-1/4" 90 Degree Elbow
4107402196	1-1/4"	(2) 1-1/4" x CL Pipe Nipple (2) 1-1/4" 90 Degree Elbow
4107402197	1-1/4"	(1) 1-1/4" x 8" Pipe Nipple (1) 1-1/4" x CL Pipe Nipple (1) 1-1/4" 90 Degree Elbow
4107402198	2"	(1) 2" x 8" Pipe Nipple (1) 2" x CL Pipe Nipple (1) 2" 90 Degree Elbow
4107402199	2"	(1) 2" x 10" Pipe Nipple (3) 2" x CL Pipe Nipple (1) 2" 90 Degree Elbow (1) 2" 45 Degree Elbow



Ordering Information

The below tables provide the specific kits and number of kits required for each model of Vacuum System. Select the system for replacement, then select the kits required for the complete system inlet filter replacement.

Vacuum Inlet Filter Kits				
System Model	Filter Kit		Accessory Kit	
	Units	Part Number	Units	Part Number
Claw - Vertical				
VHV02D-060H-D	2	4107402121		
VHV03D-060H-D	2	4107402121		
VHV04D-060H-D	2	4107402121		
VHV05D-060H-D	2	4107402121		
Claw - Single Point Connection (SPC) / Modular				
VHS(M)05D-XXX-D	2	4107402121	1	4107402126
VHS(M)06D-XXX-D	2	4107402122	1	4107402126
VHS(M)07D-XXX-D	2	4107402122	1	4107402126
VHS(M)08D-XXX-D	2	4107402123	1	4107402126
VHS(M)10D-XXX-D	2	4107402124	1	4107402126
VHS(M)15D-XXX-D	2	4107402125	1	4107402126
VHS(M)05T-XXX-T	3	4107402121	1	4107402126
VHS(M)06T-XXX-T	3	4107402122	1	4107402126
VHS(M)07T-XXX-T	3	4107402122	1	4107402126
VHS(M)08T-XXX-T	3	4107402123	1	4107402126
VHS(M)10T-XXX-T	3	4107402124	1	4107402126
VHS(M)15T-XXX-T	3	4107402125	1	4107402126
VHS(M)05Q-XXX-Q	4	4107402121	2	4107402126
VHS(M)06Q-XXX-Q	4	4107402122	2	4107402126
VHS(M)07Q-XXX-Q	4	4107402122	2	4107402126
VHS(M)08Q-XXX-Q	4	4107402123	2	4107402126
VHS(M)10Q-XXX-Q	4	4107402124	2	4107402126
VHS(M)15Q-XXX-Q	4	4107402125	2	4107402126
VHS(M)15P-XXX-P	5	4107402125	2	4107402126
VHS(M)15H-XXX-H	6	4107402125	3	4107402126
Oil-Less Rotary Vane - Tank Mount				
VDT01D-080H-D	2	4107402195		
VDT02D-080H-D	2	4107402195		
VDT03D-120H-D	2	4107402197		
VDT05D-120H-D	2	4107402197		
Oil-Less Rotary Vane - Vertical				
VDV01S-030V-S	1	4107402196		
VDV01D-030V-D	2	4107402196		
VDV02S-030V-S	1	4107402196		
VDV02D-030V-D	2	4107402196		
VDV03D-080V-D	2	4107402197		
VDV05D-080V-D	2	4107402197		
Oil-Less Rotary Vane - Single Point Connection (SPC)				
VDS07D-120V-D	2	4107402198		
VDS10D-120V-D	2	4107402199		
VDS07T-200V-T	3	4107402198	1	4107402126
VDS10T-200V-T	3	4107402199	1	4107402126
VDS07Q-200V-Q	4	4107402198		
VDS10Q-200V-Q	4	4107402199		

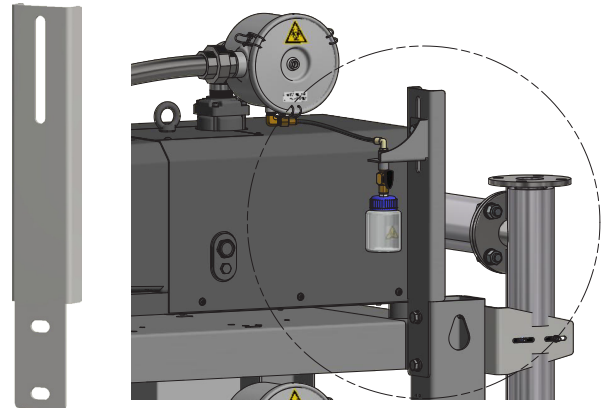
Vacuum Inlet Filter Kits				
System Model	Filter Kit		Accessory Kit	
	Units	Part Number	Units	Part Number
Lubricated Rotary Vane - Tank Mount				
VLT01D-080H-D	2	4107401896	1	4107401915
VLT01D-120H-D	2	4107401895	1	4107401915
VLT02D-080H-D	2	4107401896	1	4107401915
VLT02D-120H-D	2	4107401895	1	4107401915
VLT03D-120H-D	2	4107401897	1	4107401915
VLT03D-200H-D	2	4107401898	1	4107401915
VLT05D-120H-D	2	4107401897	1	4107401915
VLT05D-200H-D	2	4107401898	1	4107401915
Lubricated Rotary Vane - Vertical				
VLV01D-030V-D	2	4107401899		
VLV02D-030V-D	2	4107401899		
VLV03D-060H-D	2	4107401900		
VLV05D-060H-D	2	4107401902		
VLV07D-060H-D	2	4107402122		
Lubricated Rotary Vane - Modular				
VLM05D-120V-D	2	4107401902	1	4107402126
VLM07D-120V-D	2	4107402122	1	4107402126
VLM10D-120V-D	2	4107401910	1	4107402126
VLM05T-120V-T	3	4107401902	1	4107402126
VLM07T-200V-T	3	4107402122	1	4107402126
VLM10T-200V-T	3	4107401910	1	4107402126
VLM05Q-200V-Q	4	4107401902	2	4107402126
VLM07Q-200V-Q	4	4107402122	2	4107402126
VLM10Q-200V-Q	4	4107401910	2	4107402126
Lubricated Rotary Vane - Single Point Connection (SPC)				
VLS05D-120V-D	2	4107401908	1	4107402126
VLS07D-120V-D	2	4107401909	1	4107402126
VLS10D-120V-D	2	4107401910	1	4107402126
VLS15D-200V-D	2	4107401914	1	4107402126
VLS20D-200V-D	2	4107401914	1	4107402126
VLS25D-200V-D	2	4107401914	1	4107402126
VLS05T-120V-T	3	4107401902	1	4107402126
VLS07T-200V-T	3	4107402122	1	4107402126
VLS10T-200V-T	3	4107401911	1	4107402126
VLS15T-200V-T	3	4107401914	1	4107402126
VLS20T-200V-T	3	4107401914	1	4107402126
VLS25T-200V-T	3	4107401914	1	4107402126
VLS05Q-200V-Q	4	4107401908	2	4107402126
VLS07Q-200V-Q	4	4107401909	2	4107402126
VLS10Q-200V-Q	4	4107401910	2	4107402126
VLS15Q-200V-Q	4	4107401914	2	4107402126
VLS20Q-200V-Q	4	4107401914	2	4107402126
VLS25Q-200V-Q	4	4107401914	2	4107402126

Accessory Kits

Vacuum Filter Accessory Kits	
Part Number	Contents
4107402126	(1) Extension Bracket
4107401915	(2) 1-1/4" 45 Degree Elbows (1) 1-1/4" x 6" Pipe Nipple (1) 1-1/4" x 2" Pipe Nipple

Spares

Spares: Vacuum Filter Kits	
Part Number	Contents
4107402120	HEPA Filter Element, Size A <i>(Use with 1-1/4" Filter Kits)</i>
4107400120	HEPA Filter Element, Size B <i>(Use with 2" and 2-1/2" Filter Kits)</i>
4107655895	Glass Drain Flask



4107402126: Extension Bracket Accessory Kit