



## DW Series Ultra High Purity, Wall Mounted, Diaphragm Valve Outlet

### SPECIFICATION

#### Key Features

**Ideal point-of-use outlet for most high purity applications**

- Inert, reactive, flammable and oxidizing gases and mixtures
- Purity up to Grade 6.0 (99.9999% pure)

#### Superior Leak Rate

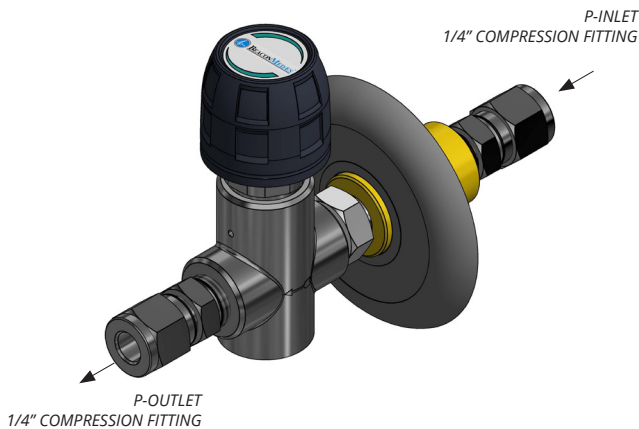
- Designed to  $<1 \times 10^{-7}$  cc/sec. outboard helium leak rate to maintain gas purity levels

#### Multiple Turn Shut-off Valve

- Allows for fine metering and positive shut-off

#### Versatile & Compact design

- Space saving configuration designed for small spaces
- Available in multiple configurations in other series, including an integrated regulator option



Specifications	
<b>Maximum Inlet Pressure</b>	600 psig [40 barg]
<b>Body</b>	Stainless Steel or Chrome-plated Brass
<b>Diaphragm</b>	Hastelloy
<b>Body Seals</b>	Hardened Stainless Steel Cone
<b>Seat Seals</b>	PCTFE
<b>Operating Temperature</b>	-13° F to 158° F [-25°C to 70°C]
<b>Fine Metering</b>	Adjustment knob approx. 10 turns

### Ordering Information

DW - A - B - C - D - E

#### Part Number Matrix - DW

A	
CONFIGURATION	INSCRIBE
Straight	1
90° Angle Down	2

B	
GAS	INSCRIBE
Air- compressed	AIR
Argon	AR
Carbon dioxide	CO2
Helium	HE
Hydrogen	H2
Gas Mix	MIX
Nitrogen	N2
Oxygen	O2
Special Gas	SG
Other	(Provide Gas Type)

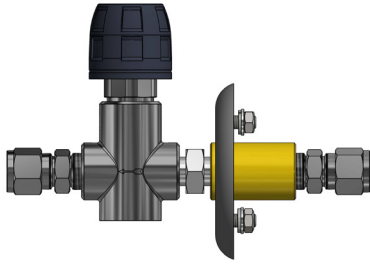
C	
MATERIAL OF CONSTRUCTION	INSCRIBE
Chrome-Plated Brass	B
Stainless Steel	SS

D	
NUMBER OF OUTLETS*	INSCRIBE
1	1

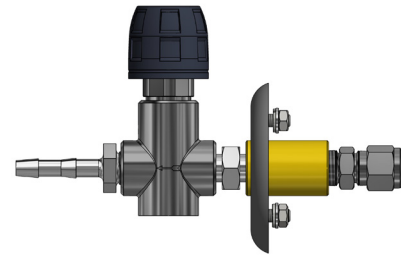
*\*Note: Multiple outlet configurations are available. Please reference LDS-851-07.*

E	
OUTLET ASSEMBLY	INSCRIBE
1/4" Compression SS	CS4
Hose Barb	HB
Quick Connect	QC

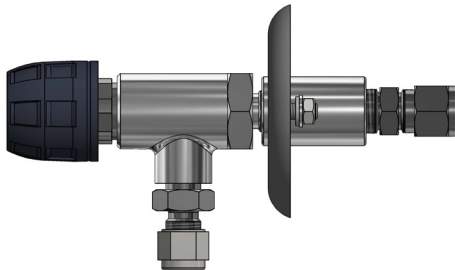
## Configurations



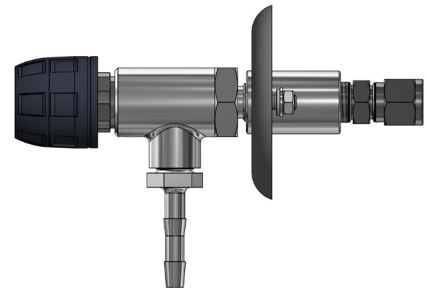
**Model DW1-'GAS'-B-1-CS4**  
 (Wall Mounted, Straight Configuration  
 with Compression Fitting Outlet)



**Model DW1-'GAS'-B-1-HB**  
 (Wall Mounted, Straight Configuration  
 with Hose Barb Outlet)



**Model DW2-'GAS'-B-1-CS4**  
 (Wall Mounted, 90° Angle Configuration  
 with Compression Fitting Outlet)



**Model DW2-'GAS'-B-1-HB**  
 (Wall Mounted, 90° Angle Configuration  
 with Hose Barb Outlet)

## Dimensions

