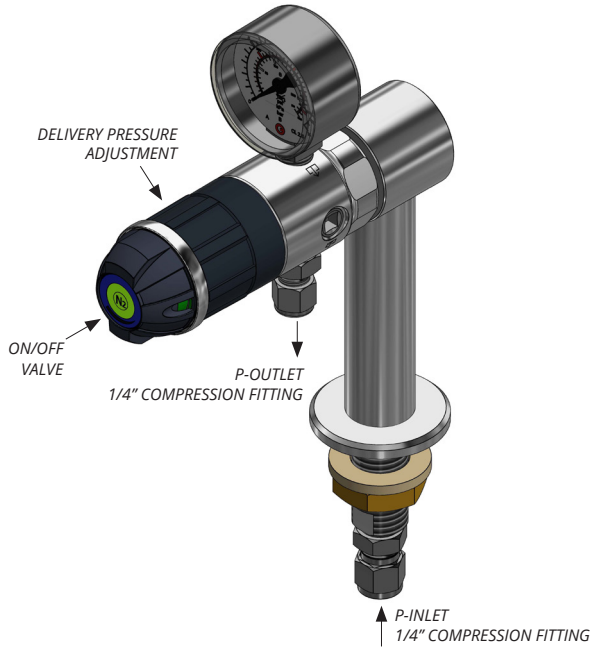




DRB Series Bench Mounted, Diaphragm Valve Outlet with Pressure Regulator

SPECIFICATION



Key Features

Ideal point-of-use outlet for most high purity applications

- Inert, reactive, flammable and oxidizing gases and mixtures
- Purity up to Grade 6.0 (99.9999% pure) in both 316L Stainless Steel or Chrome-Plated Brass with Hastelloy Diaphragms

Superior Leak Rate

- Designed to $<1 \times 10^{-7}$ cc/sec. outboard helium leak rate to maintain gas purity levels

Multi-function Regulator

- Regulator with integrated shut-off function with colored on/off position
- Colored gas identification at the front of the knob
- Multiple delivery pressure ranges

Versatile & Compact design

- Space saving configuration allows for installation in small spaces
- Available in multiple configurations in other series, including ceiling or wall mount, as well as valve only options

Ordering Information



Part Number Matrix - DRB

A	
CONFIGURATION	INSCRIBE
90° Angle	2
30° Angle	3

C	
MATERIAL OF CONSTRUCTION	INSCRIBE
Chrome-Plated Brass	B
Stainless Steel	SS

F	
DIAPHRAGM VALVE OPTIONS	INSCRIBE
Inlet [On/Off]	IDV
Outlet	ODV

B	
GAS	INSCRIBE
Air- compressed	AIR
Argon	AR
Carbon dioxide	CO2
Helium	HE
Hydrogen	H2
Gas Mix	MIX
Nitrogen	N2
Oxygen	O2
Special Gas	SG
Other	(Provide Gas Type)

D	
DELIVERY PRESSURE	INSCRIBE
3-22 psi [35 psi Gauge]	22
3-60 psi [87 psi Gauge]	60
7-150 psi [232 psi Gauge]	150

G	
OUTLET ASSEMBLY	INSCRIBE
1/4" Compression SS	CS4
Hose Barb	HB
Quick Connect	QC

E	
NUMBER OF OUTLETS*	INSCRIBE
1	1

**Note Dual outlet valves are available. Please reference LDS-851-09.*

Specifications	
Gas Service	<i>Chrome-Plated Brass</i> - All gases except corrosive gases <i>Stainless Steel</i> - All gases including corrosive gases
Maximum Inlet Pressure	600 psig [40 barg]
Inlet Connection	1/4" Compression
Operating Temperature	-13° F to 158° F [-25°C to 70°C]
Leakage Rates	<1 x 10 ⁻⁹ cc/sec Helium (outboard) <1 x 10 ⁻⁶ cc/sec Helium (seat)
Inlet Filter	50 micron
Regulator Ports	(1) Inlet & (3) Outlets

Materials		
Regulator		
Body	Chrome-Plated Brass	Electropolished Type 316L Stainless Steel
Seal	PCTFE	PVDF
Seat	FKM and EPDM	FKM and FFKM
Diaphragm	Hastelloy	

Configuration Examples

(Not all configurations are shown)



Model DRB2-"GAS"-B-60-1-CS4
(Bench Mounted, 90° Angle Configuration with Compression Fitting Outlet)



Model DRW3-"GAS"-B-60-1-ODV-CS4
(Bench Mounted, 30° Angle Configuration with Outlet Valve and Compression Fitting Outlet)

Dimensions

