

Medical Gas Terminal Unit - East and Zeus SP

SPECIFICATION

The East and Zeus SP Medical Gas Terminal units provide a safe means of supplying medical equipment with medical gases from the central gas supply system. They are manufactured to accept only the gas specific probes to prevent interchangeability between different types of services. The East and Zeus SP gas-specific terminal units are attached permanently via copper tube or semipermanently via medical gas hose assemblies to the facility gas distribution pipeline system and allow mechanical connection to and gas flow through a suitable connector.

Classification

- Gas and vacuum specific terminal units designed to BS EN 9170-1.
- AGSS terminal units designed to BS EN 9170-2.
- Gas and vacuum specific terminal units are compatible with medical gas probes to BS 5682.
- AGSS Terminal Units are compatible with medical gas probes to BS 8532.
- Carbon Dioxide and Nitrogen designed to accept NIST probes to BS EN 18082.
- CE marked with approval from a notified body (more detailed information available on request).

Services

- Oxygen
- Nitrous Oxide
- 50% Oxygen / 50% Nitrous Oxide
- Air 400 kPa
- Air 700 kPa
- Medical Vacuum
- Carbon Dioxide
- Nitrogen
- AGSS

Terminal Block

- Machined brass incorporating seal plate, check valve and brazed Copper stub pipe
- Gas and vacuum indexed
- Fully degreased for Oxygen use

Check Valve Assembly

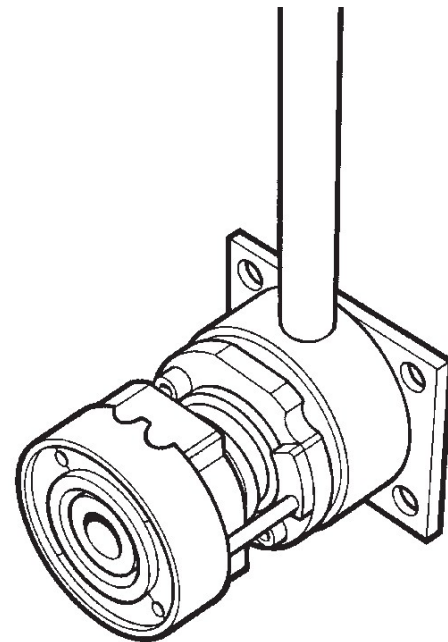
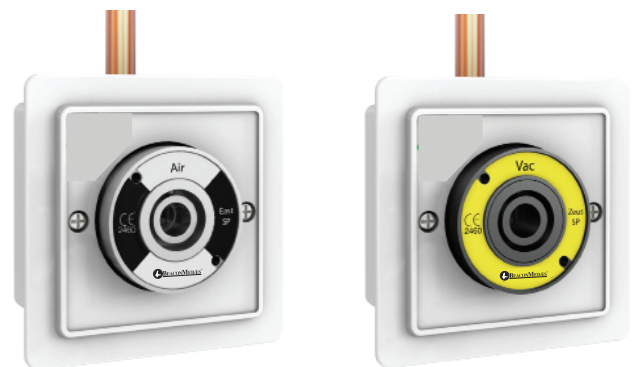
- Machined brass incorporating spring operated shut-off valve
- Fully degreased for Oxygen use

Tailpipe Block

- Top, bottom, left and right side entry

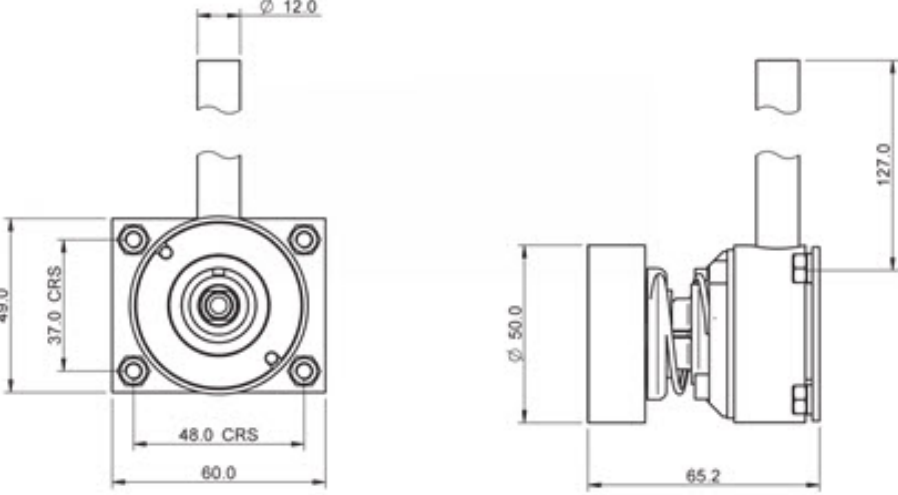
Socket Assembly

- East SP
 - Zinc die-casting
 - Black Teflon coated body
 - Copper / zinc finished interlock ring
 - Stainless steel rolling pins
- Zeus SP
 - Moulded polymer
 - Teflon coated stainless steel rolling pins



Wall and Bedhead Mounted Fitting. Top, Bottom, Side or Back Entry tailpipe

Service	1 st Fix Block Top Entry	1 st Fix Block Back Entry	East SP 2 nd Fix		Zeus SP 2 nd Fix	
			Non Swivel	Swivel	Non Swivel	Swivel
Oxygen	4233300153	4233300161	4233300180	4233300186	4233300168	4233300174
Nitrous Oxide	4233300154	4233300162	4233300181	4233300187	4233300169	4233300175
50% O ₂ / 50% N ₂ O	4233300155	4233300163	4233300182	4233300188	4233300170	4233300176
Air 400 kPa	4233300156	4233300164	4233300183	4233300189	4233300171	4233300177
Air 700 kPa	4233300157	4233300165	4233300184	4233300190	4233300172	4233300178
Vacuum	4233300158	4233300166	4233300185	4233300191	4233300173	4233300179
AGSS	4233300196	4233300197	4233300198			
Carbon Dioxide	4233300159	n.d.	4233300192			
Nitrogen	4233300160	n.d.	4233300193			



All dimensions are in millimetres

Top, Bottom, Side Entry, with Tailpipe (125 mm)

Installed Height

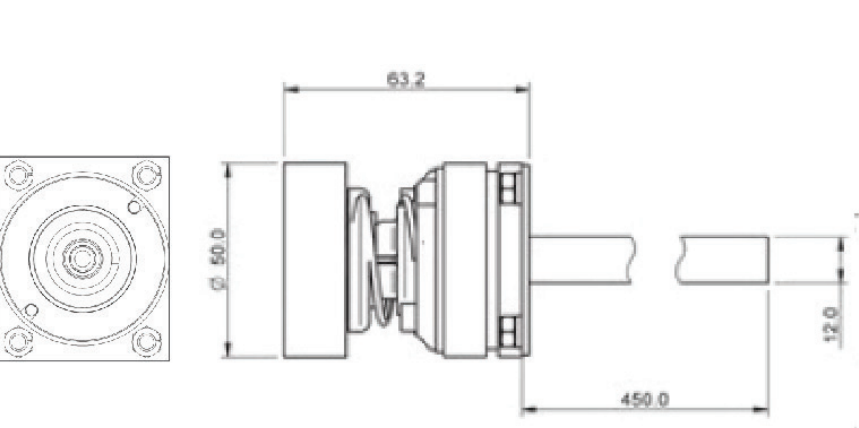
Recommended installation height for this wall outlet is 900 to 1400 mm above floor level

Installed Size

N/A

Note:

4 off M5 x 35 studs to be provided in the bedhead unit



Back Entry

With Tailpipe

Installed Height

Recommended installation height for all wall outlets is 900 to 1400 mm above floor level

Installed Size

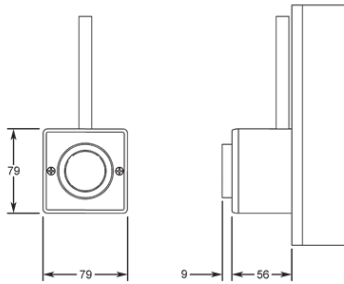
N/A

Note:

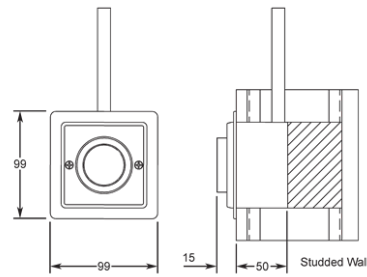
4 off M5 x 35 studs to be provided in the bedhead unit

Wall and Bedhead Mounted Fitting. Top, Bottom, Side or Back Entry tailpipe

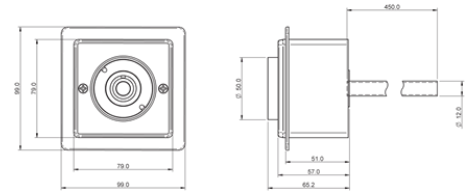
Surface fitting with tailpipe



Flush fitting with tailpipe



Back Entry tailpipe



	Surface fitting with tailpipe	Flush fitting with tailpipe	Back Entry tailpipe
Installed Size	Height 79 mm; Width 79 mm	Height 79 mm; Width 79 mm	Height 99 mm; Width 99 mm
Protrusion (from wall) ¹	65 mm	15 mm	n.a.
Depth into wall	Nil mm	50 mm	n.a.

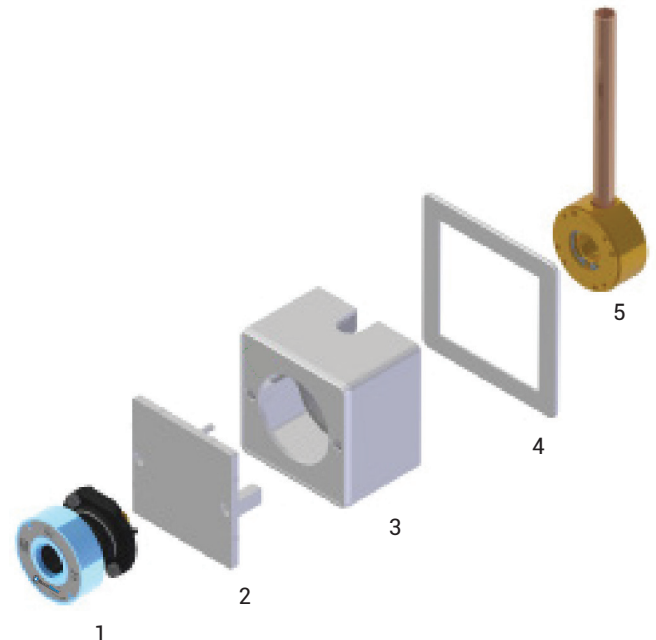
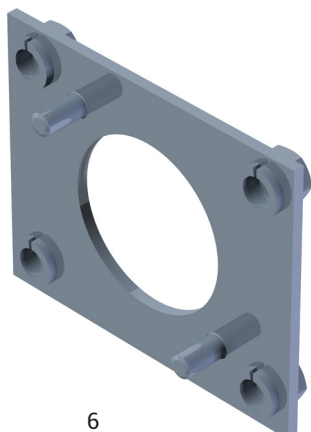
Note:

- For Carbon Dioxide & Nitrogen consult BeaconMedaes Technical department.
- All dimensions are in millimetres;
- Image also includes additional components, see Options table.
- Recommended installation height for all wall outlets is 900 to 1400 mm above floor level;

Options:

	Accessories	Product Description
1	Socket and check valve assembly	Gas specific
2	Plaster Shield	3268005
3	Installation kit ¹	4233 3002 36
4	Flush surround	3268009
5	Terminal block	Gas specific
6	Bedhead mount ² 'Installation Kit'	3268008

¹ Installation kit consist of: back box, cover box, surface fascia - white ABS.

² Bedhead mount 'Installation Kit' is not required in case of wall mount.


Pendant Mounted
Classification

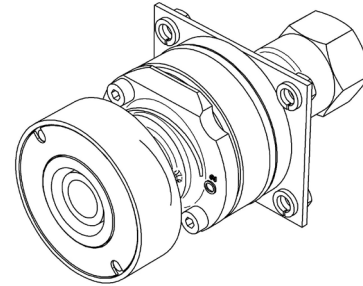
- Gas and vacuum specific terminal units designed to BS EN 9170-1.
- Terminal units compatible with medical gas probes to BS 5682
- Soldered NIST connections are designed to BS EN 15908 & 5359
- Carbon Dioxide and Nitrogen designed to accept NIST probes to BS EN 15908 and 5359
- CE marked

Services

- Oxygen
- Nitrous Oxide
- 50% Oxygen / 50% Nitrous Oxide
- Air 400 kPa
- Air 700 kPa
- Medical Vacuum
- Carbon Dioxide
- Nitrogen

Terminal Block

- Machined brass incorporating seal plate, check valve and brazed copper stub pipe.



- Gas and vacuum indexed
- Fully degreased for Oxygen use

Check Valve Assembly

- Machined brass incorporating spring operated shut-off valve
- Fully degreased for Oxygen use

Socket Assembly

- East SP
 - Zinc die-casting
 - Black Teflon coated body
 - Copper / zinc finished interlock ring
 - Stainless steel rolling pins
- Zeus SP
 - Moulded polymer
 - Teflon coated stainless steel rolling pins

Installation Kit

- Mild steel mounting plate, zinc coated
- Studs or captive nuts required

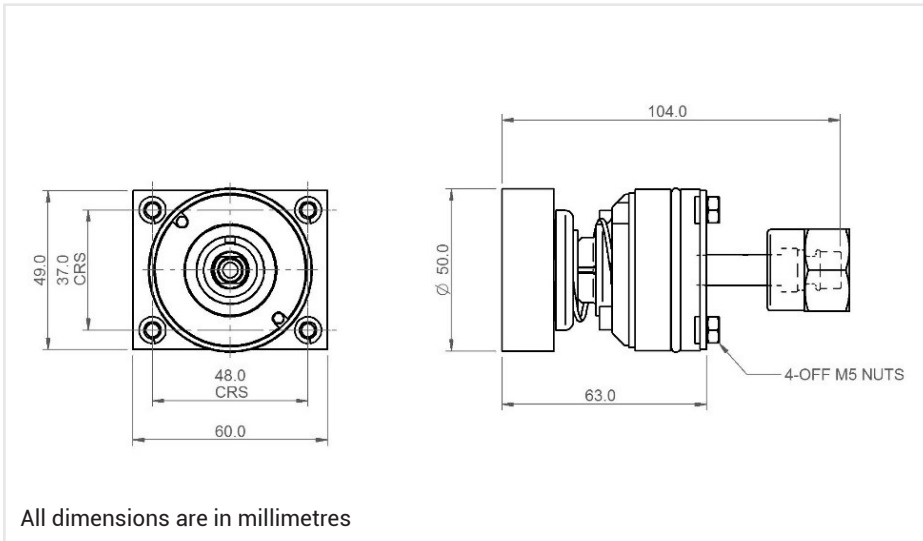
Tailpipe Options

- NIST connection - Anti-swivel (horizontal axis)
- NIST connection - Non Anti-swivel (vertical axis)

Product Numbers

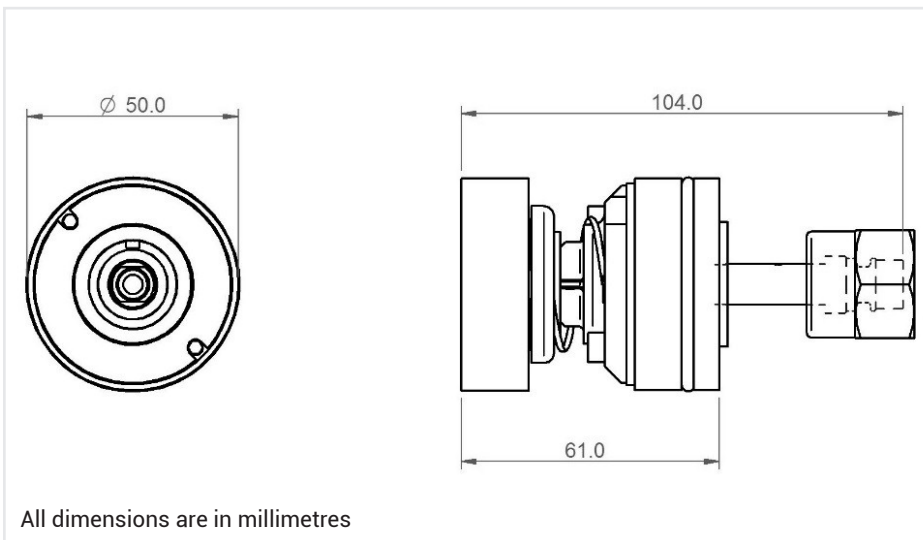
Pendant or Boom with NIST connector

Service	East SP				Zeus SP			
	NIST Anti-swivel	NIST Swivel	NIST 45° Anti-swivel	NIST 45° swivel	NIST Anti-swivel	NIST Swivel	NIST 45° Anti-swivel	NIST 45° swivel
Oxygen	4233300113	4233300129	4233300121	4233300229	4233300135	4233300147	4233300141	4233300223
Nitrous Oxide	4233300114	4233300130	4233300122	4233300230	4233300136	4233300148	4233300142	4233300224
50% O ₂ / 50% N ₂ O	4233300115	4233300131	4233300123	4233300231	4233300137	4233300149	4233300143	4233300225
Air 400 kPa	4233300116	4233300132	4233300124	4233300232	4233300138	4233300150	4233300144	4233300226
Air 700 kPa	4233300117	4233300133	4233300125	4233300233	4233300139	4233300151	4233300145	4233300227
Vacuum	4233300118	4233300134	4233300126	4233300234	4233300140	4233300152	4233300146	4233300228
AGSS	4233300194		4233300195		4233300194		4233300195	
Carbon Dioxide	4233300119		4233300127		4233300119		4233300127	
Nitrogen	4233300120		4233300128		4233300120		4233300128	



Pendant or Boom with NIST connector

(For Carbon Dioxide and Nitrogen dimensions consult MGS Technical department)



Flexible Pendant Head with NIST connector

(For Carbon Dioxide and Nitrogen dimensions consult MGS Technical department)

