

# WOI-CAIR Series

## Wall Outlets for Industrial Compressed Air

### Key Features

---

**Designed Specifically for Industrial Compressed Air**  
No more medical outlets for Industrial Air

---

**Complete with Filter/Regulator & Q/Connect**  
Designed to accommodate filter/regulator in a convenient and compact design

---

**Proven Quick Connect for Compressed Air**  
Assembled with reliable compressed air quick connect assemblies to minimize flow restriction

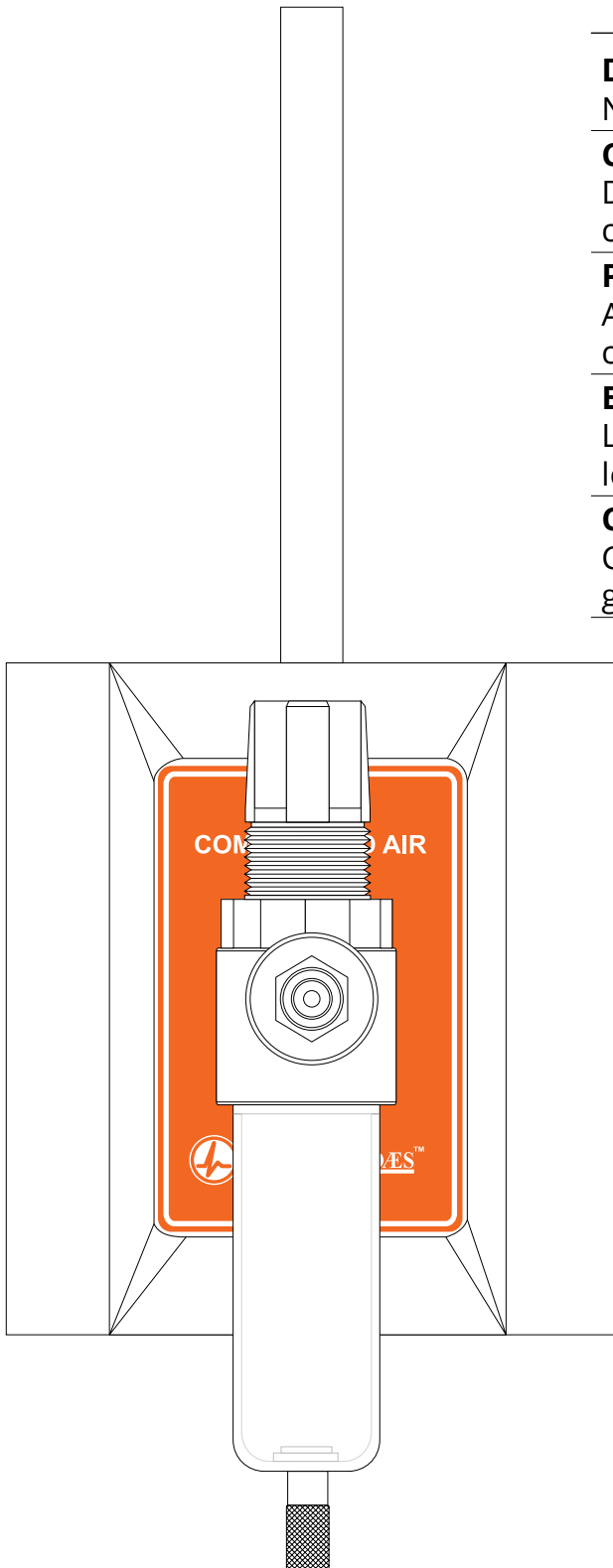
---

**Built with BeaconMedæS Series B Hardware**  
Laboratory wall outlets and medical gas wall outlets look the same throughout the building

---

**Color Coding as per SEFA**  
Consistent color coding for gas apparatuses such as gas turrets throughout the laboratory

---



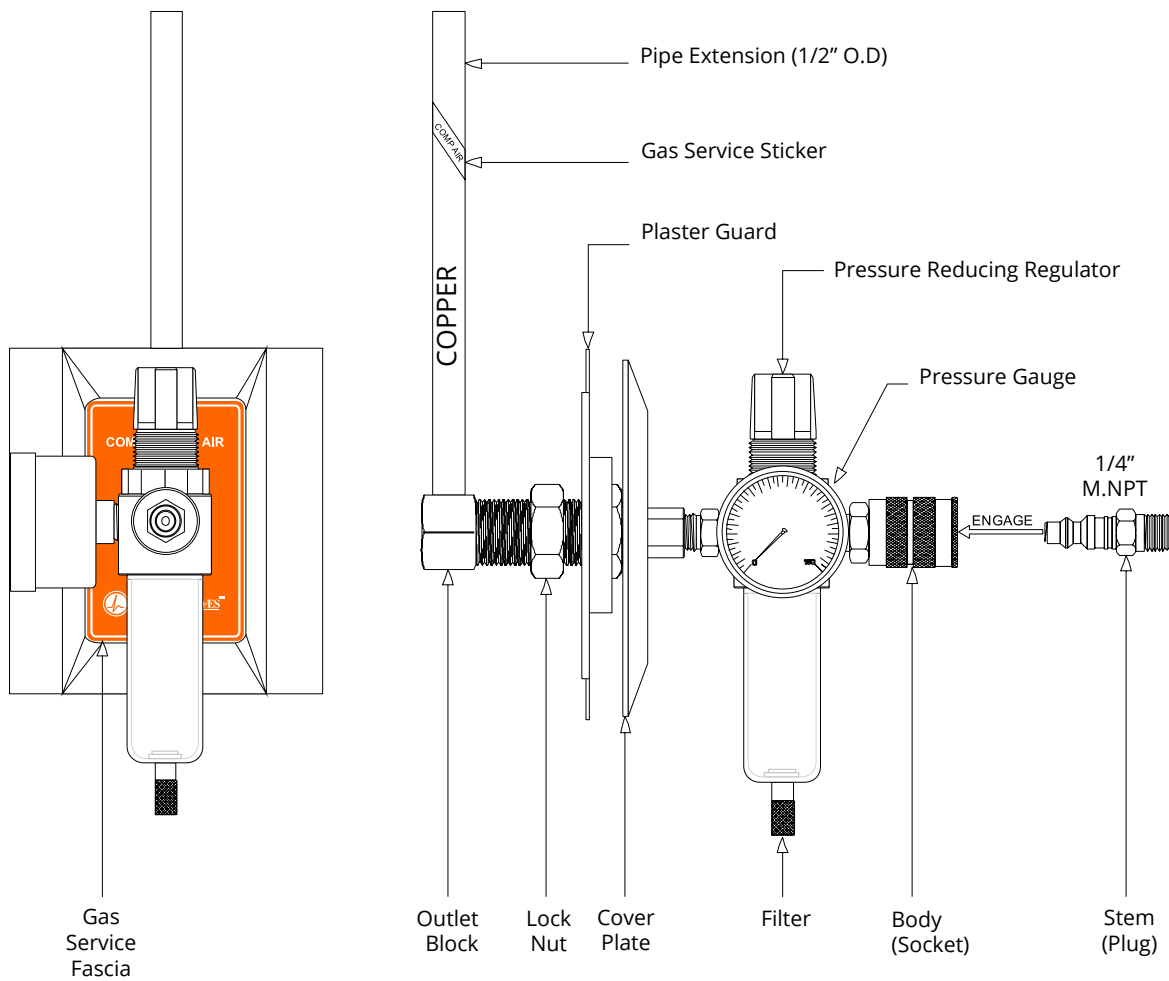
## Wall Outlets for Industrial Compressed Air

### Description

The WOI-CAIR Series of wall outlets are specifically designed for industrial compressed air. In addition to seeing what's being filtered, a clear polyurethane filter bowl offers increased chemical resistance for use in systems with synthetic compressor oils and cleaning liquids. The combo filter/regulator has a brass body, a pressure gauge and a manual drain. The installer will be pleased to see that the wall outlet body rotates 360° for ease of installation.

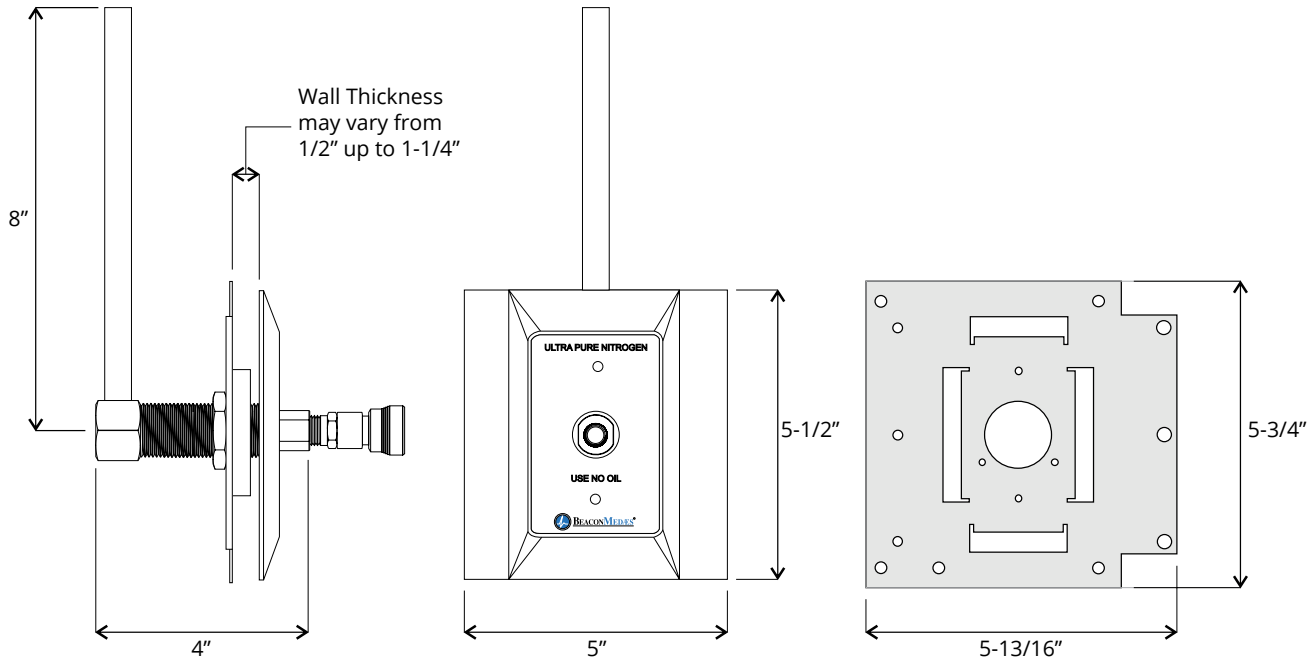
This wall outlet is assembled using the BeaconMedæx Series B rough-ins and trim plates. This allows the architect to design the a laboratory with a standard wall outlet look even if other gases (or vacuum) are not high purity such as medical instrument air.

### Equipment Overview



# Wall Outlets for Industrial Compressed Air

## Dimensions



### Materials (Standard Parts Only)

<b>Pipe</b>	Copper, Type K or L
<b>Body</b>	Brass, ASTM B16
<b>Quick Connects</b>	Brass Socket - Zinc-Plated Steel Sleeve and Plug
<b>Filter</b>	Bowl: Polycarbonate - Bleed Valve: Brass - Filter: Sintered Polypropylene
<b>Regulator</b>	Body: Brass - Elastomers: Neoprene & Nitrile - Bonnet: Acetal
<b>Locking Nuts</b>	Brass, ASTM B16
<b>Trim Plate</b>	Die cast, light gray, epoxy coated
<b>Rough-In</b>	16-gauge steel
<b>Front Plate</b>	Aluminum
<b>Sticker</b>	Lexan over Vinyl

## Wall Outlets for Industrial Compressed Air

### Specifications

**Plug & Socket** – Also known as industrial exchange couplings, these quick-connects have a brass socket and a zinc-plated steel sleeve and plug. Use with air. Quick connects are single shut-off style, so there is a check valve in the socket but not in the plug. Both plug and socket meet the dimensional requirements of Fed. Spec. A-A-59439 (formerly MIL-C-4109); the plug also meet ISO 6150/B and ANSI T3.20.14. Not rated for vacuum.

Both plug and socket quick connect adaptors meet CSA 6.9-M98 and ANSI Z21.41. They are not rated for vacuum.

To make a connection, you'll need a plug and a socket of the same size. DO NOT interchange plugs or sockets of different sizes or brands. These quick connect fittings are made out of brass, which offers good corrosion resistance and low wear resistance.

**Regulator** – The pressure reducing regulator is a relief type, which exhaust excess downstream pressure when your system is blocked. The regulator accuracy is +/- 4 PSI.

**Filter** – The filter removes particles down to 5 microns. In addition to seeing what's being filtered, the clear polyurethane bowl offers increased chemical resistance for use in systems with synthetic compressor oils and cleaning liquids.

<b>Service Fluids</b>	Compressed Air
<b>Outlet Connection</b>	1/4" M.NPT
<b>Cleaning</b>	Free of debris, lint and particle
<b>Pipe Outside Diameter</b>	1/2"
<b>Flow</b>	60 scfm at 100 psi
<b>Filter Performance</b>	5 microns
<b>Maximum Working Temperature</b>	150°F
<b>Maximum Working Pressure</b>	250 psig
<b>Pressure Gauge Range</b>	0-160 psig
<b>Regulator Delivery Pressure Range</b>	1-125 psig

### Fascia (Label)

<b>Gas Service</b>	Compressed Air
<b>Background Color</b>	Orange
<b>Letters &amp; Trim Color</b>	White
<b>Possible Symbol</b>	Compressed Air

### Ordering Information

