

Vacuum Switches for Alarm Systems

SPECIFICATION

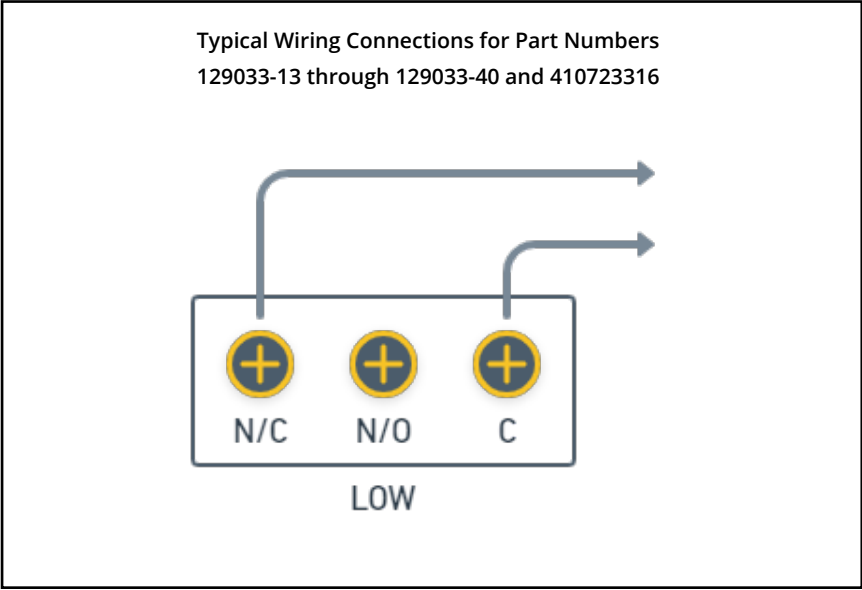
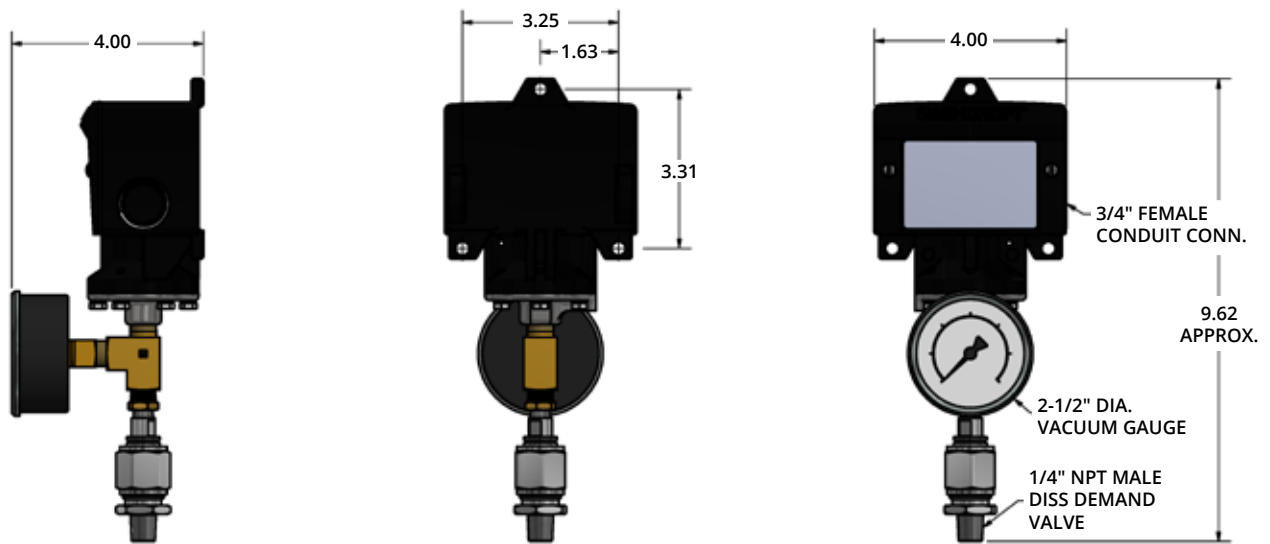
Vacuum Switches

Vacuum switches are designed to monitor vacuum and WAGD pipeline systems and provide signals to nonflammable medical gas distribution system alarms. Switches are to be placed in the main pipeline immediately downstream of the mainline shut-off valve for master alarms per the latest edition of NFPA 99. All switches are U.L. listed and have single pole, double-throw switching elements. Electrical ratings are a minimum of 5 amps at 125 volts. Switches automatically reset when pipeline vacuum is returned to normal operating vacuum. Switches may be connected to alarm systems sensing fault conditions from "normally open" or "normally closed" contacts.

Each assembly is provided with a DISS demand valve for connection to the pipeline system. The switch assembly consists of the vacuum switch, 2-1/2" diameter 0-30 Hg. vacuum gauge and DISS nut and nipple assembly for connection to the demand valve installed on the pipeline.

BeaconMedaes Vacuum Switches are designed to monitor vacuum or WAGD pipeline systems operating between 15" and 29" Hg. vacuum. The switches are factory preset to alarm low vacuum at 12" Hg. Each switch is provided with a 1/2" NPT female conduit connection and screw terminals for the final connection to the master medical gas alarm system.

Gas Specific Pressure Switches - 180 psig					
Part Number	Gas Service	Low Signal Setting	Proof Pressure (Vacuum)	Adjustable Range (Decreasing Min.)	Approximate Deadband
<input type="checkbox"/> 129033-13	Vacuum	12" Hg	0 psig	5" Hg	3" Hg
<input type="checkbox"/> 129033-19	WAGD	12" Hg	0 psig	5" Hg	3" Hg
<input type="checkbox"/> 129033-17	Vacuum (ISO)	12" Hg	0 psig	5" Hg	3" Hg
<input type="checkbox"/> 129033-40	AGSS	12" Hg	0 psig	5" Hg	3" Hg
<input type="checkbox"/> 4107213316	AGSS (4" Hg. Preset)	12" Hg	0 psig	4" Hg	3" Hg

Vacuum Switches for Alarm Systems


Life is in the details.®