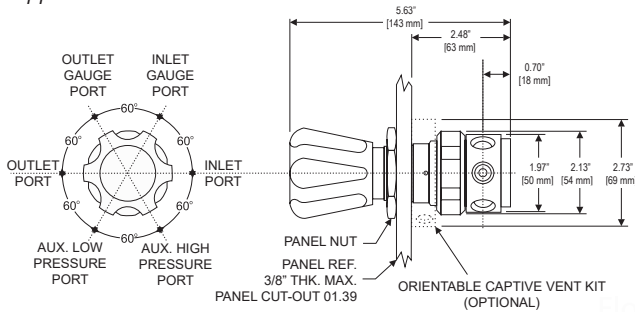
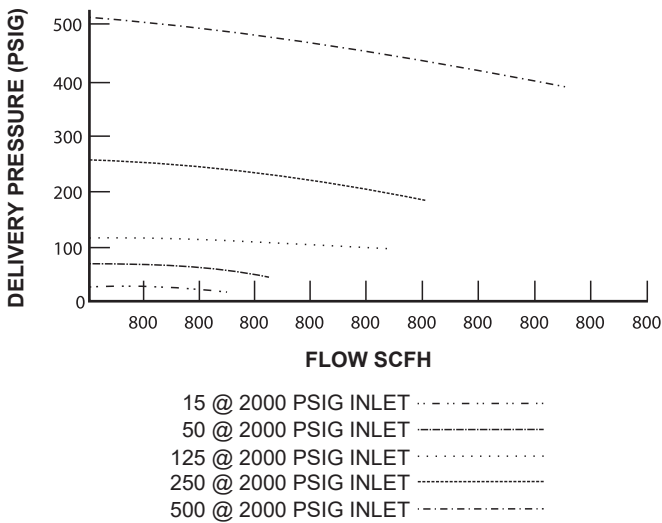
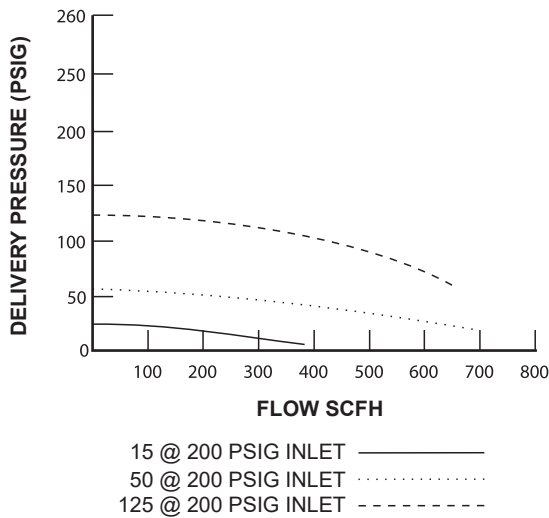


Dimensions

Approximate dimensions



Flow Data



Specifications

Maximum Inlet Pressure	3000 psig [207 barg]
Flow Coefficient	Cv = 0.08
Operating Temperature	-40°F to 140°F [-40°C to 60°C]
Gauge Diameter	2" [51 mm] dial
Inlet Gauge Range	0-4000 psig [0-276 barg]
Delivery Pressures and Related Gauges	See Part Number Matrix

Materials

Regulator	
Body	316L Stainless Steel
Bonnet	Chrome-plated Bar Stock
Diaphragm	316L Stainless Steel
Nozzle	316L Stainless Steel
Seat and Seals	PTFE Teflon
Filter	Sintered Stainless Steel - 10 micron
Seat Return Spring	316L Stainless Steel
Adjusting Knob	ABS plastic
Diaphragm Valve (if selected)	
Body	316 Stainless Steel
Diaphragm	316 Stainless Steel
Seat	PCTFE (Kel-F™)
Knob	Black Phenolic
Gas Cylinder Connection	
Nut & Nipple	316 Stainless steel