



ULB Series Critical Purity, Single-Stage, Brass Bar Stock, Line Regulator

SPECIFICATION

Applications

Non-corrosive gases

- Brass body

Low flow applications

- Cv of 0.08

Recommended for gas purity up to Grade 5.5 (99.9995% pure)

- Metal to metal diaphragm to body in a bar stock body regulator

For pipelines

- Mounted on the pipeline, with the delivery pressure gauge (no inlet gauge)



Key Features

Stainless steel diaphragm

- Eliminates “off gassing” associated with neoprene diaphragm into the gas stream

One-piece encapsulated seat design

- Ease of maintenance and ease of cleaning

Tamper-proof self re-seating internal valve

- Maintains regulator integrity and reduces maintenance

Brass bar stock body

- Designed to 1 x 10⁻⁹ cc/sec. inboard helium leak rate to maintain gas purity levels

Easy panel mounting

- Front or back (panel mounting ring optional)

Seat assembly with built-in filter

- Traps foreign matter thus extending regulator life and reduces maintenance

Ordering Information

ULB - _____
A B C D E

Part Number Matrix - ULB

A	
GAS	INSCRIBE
Air- compressed	CGA 346
Argon	CGA 580
Argon mix	CGA 580
Carbon dioxide*	CGA 320
Helium	CGA 580
Hydrogen	CGA 350
Argon/methane	CGA 350
Nitrogen	CGA 580
Air - industrial	CGA 590
Nitrous oxide*	CGA 326
Oxygen	CGA 540
Other gas: provide CGA number	

B	
DELIVERY PRESSURE	INSCRIBE
1-15 psi (0-30 psi gauge)	15
5-50 psi (0-100 psi gauge)	50
30-125 psi (0-200 psi gauge)	125
50-250 psi (0-400 psi gauge)	250
100-500 psi (0-1000 psi gauge)	500

C	
OUTLET ASSEMBLY	INSCRIBE
1/4" F.NPT	4FB
1/4" M.NPT	4MB
Diaphragm Valve	DVB
1/8" Compression Brass	CB2
1/4" Compression Brass	CB4

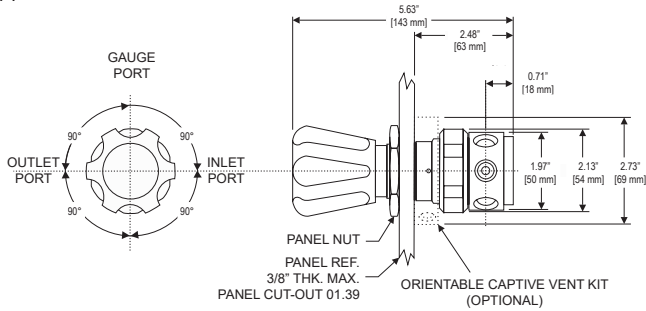
D	
OPTION	INSCRIBE
Panel Mounting Ring	PMR
Pressure Relief Valve	PRV

E	
COUNTRY	INSCRIBE
USA	Leave blank
Germany	DIN
United Kingdom	BS
France	AFNOR
Italy	UNI
Argentina	IRAM
Australia & New Zealand	AS
Brazil	ABNT
Netherlands	NEN
Spain	ITC

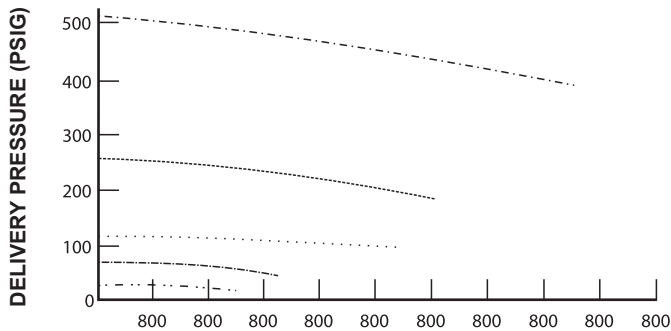
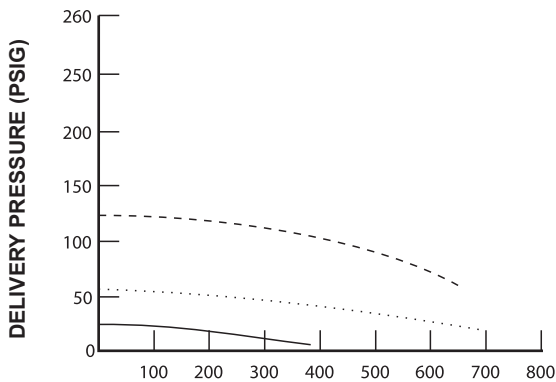
* For carbon dioxide and nitrous oxide service, it is strongly recommended to use electrically heated regulators. Should flow of carbon dioxide or nitrous oxide exceed 35 SCFH, regulator will freeze up and warranty will be null & void.

Dimensions

Approximate dimensions



Flow Data



Specifications

Maximum Inlet Pressure	3000 psig [207 barg]
Flow Coefficient	Cv = 0.08
Operating Temperature	-40°F to 140°F [-40°C to 60°C]
Gauge Diameter	2" [51 mm] dial
Delivery Pressures and Related Gauges	See Part Number Matrix

Materials

Regulator	
Body	Brass Bar Stock
Bonnet	Brass Bar Stock
Diaphragm	316L Stainless Steel
Nozzle	Brass
Seat and Seals	PTFE Teflon
Filter	Nickel-plated Sintered Bronze - 10 micron
Seat Return Spring	PH 17-7 Stainless Steel
Adjusting Knob	ABS Plastic
Diaphragm Valve (if selected)	
Body	Chrome-plated Brass
Diaphragm	316 Stainless Steel
Seat	PCTFE (Kel-F™)
Knob	Black Phenolic