

Steel-Case Gauges with Stem Mounting

SPECIFICATION

Steel-Case Gauges

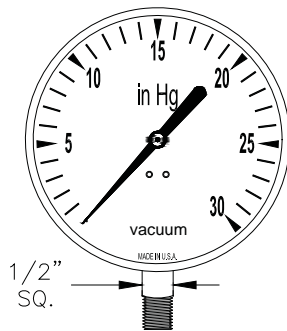
The steel-case gauges are made for general use whenever stem mounting is desirable and the pressure medium is non-corrosive to brass, phosphor bronze or beryllium copper. Gauge materials of construction are compatible with medical gas/vacuum applications.

Steel-Case Gauges	
Part Number	Item
<input type="checkbox"/> 6-130111-00	Vacuum Gauge (30 in. Hg)
<input type="checkbox"/> 6-130112-00	Low Pressure Gauge (0-100 psi)*
<input type="checkbox"/> 6-130113-00	High Pressure Gauge (0-300 psi)*

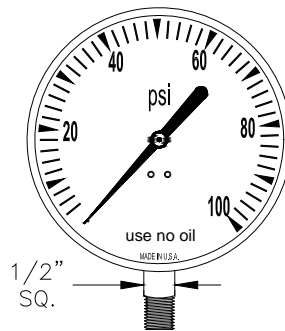
* Note: Cleaned for oxygen use.

Steel-Case Gauge Design

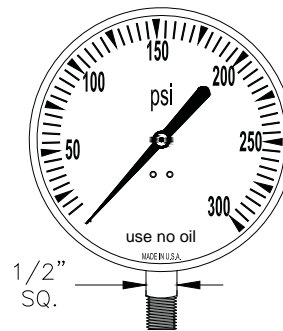
The gauge housings are drawn steel with black, corrosion-resistant paint. The ring around the 4-1/2" dial is drawn steel friction fit with black, corrosion-resistant paint. The window is 4-1/2" in diameter. The pointer is aluminum with black finish. The dial is steel with white background and black markings. The movement is made of brass. The vacuum (30 in. Hg) bourdon tube is beryllium copper and soft-soldered. The high-pressure (0-100 psig and 0-300 psig) bourdon tube is phosphor bronze and soft-soldered. The connection is 1/4"-18 NPT-2A brass at the bottom of the gauge. Gauges for positive pressure gases are cleaned for oxygen service and all gauges conform to ANSI B40.1.



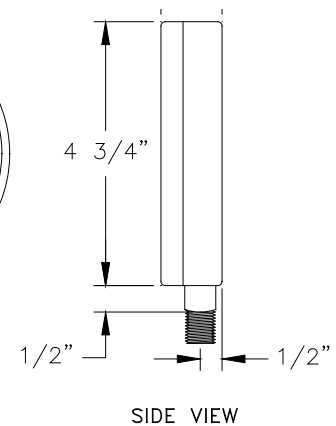
VACUUM GAUGE



LOW PRESSURE
(PRESSURE GAUGE)



HIGH PRESSURE
(NITROGEN GAUGE)



SIDE VIEW

DISS Connection Kits for Gauges	
Part Number	Item
<input type="checkbox"/> 6-120004-10	Oxygen DISS Connection Kit
<input type="checkbox"/> 6-120004-11	Nitrous Oxide DISS Connection Kit
<input type="checkbox"/> 6-120004-12	Air DISS Connection Kit
<input type="checkbox"/> 6-120004-13	Vacuum DISS Connection Kit
<input type="checkbox"/> 6-120004-14	Nitrogen DISS Connection Kit
<input type="checkbox"/> 6-120004-18	Instrument Air DISS Connection Kit
<input type="checkbox"/> 6-120004-19	WAGD DISS Connection Kit
<input type="checkbox"/> 6-120004-20	Carbon Dioxide DISS Connection Kit
<input type="checkbox"/> 6-120004-21	CO ₂ -O ₂ (CO ₂ >7%) DISS Connection Kit
<input type="checkbox"/> 6-120004-22	O ₂ -CO ₂ (CO ₂ ≤7%) DISS Connection Kit
<input type="checkbox"/> 6-120004-23	He-O ₂ (He >80%) DISS Connection Kit
<input type="checkbox"/> 6-120004-24	O ₂ -He (He ≤80%) DISS Connection Kit
<input type="checkbox"/> 6-120004-25	Helium DISS Connection Kit

