



## Stainless Steel Hose for High Pressure Applications - SSH Series

### SPECIFICATION

#### Description

The "all-metallic" stainless steel specialty gas flexible hoses (SSH Series) are designed for small molecule gases (helium & hydrogen) and feature "zero permeation". These hoses are constructed utilizing a corrugated 316L stainless steel inner core, reinforced with two layers of stainless-steel braid and features either a 316L NPT male or female thread to ensure a tight connection.

An optional "Safety Armor" (armor guard) is available for added protection. Each hose is marked with an aluminum belly band noting the working pressure and date manufactured. All assemblies are pressure tested to 1-1/2 times the working pressure and have a minimum burst pressure rating 4 times the maximum working pressure.

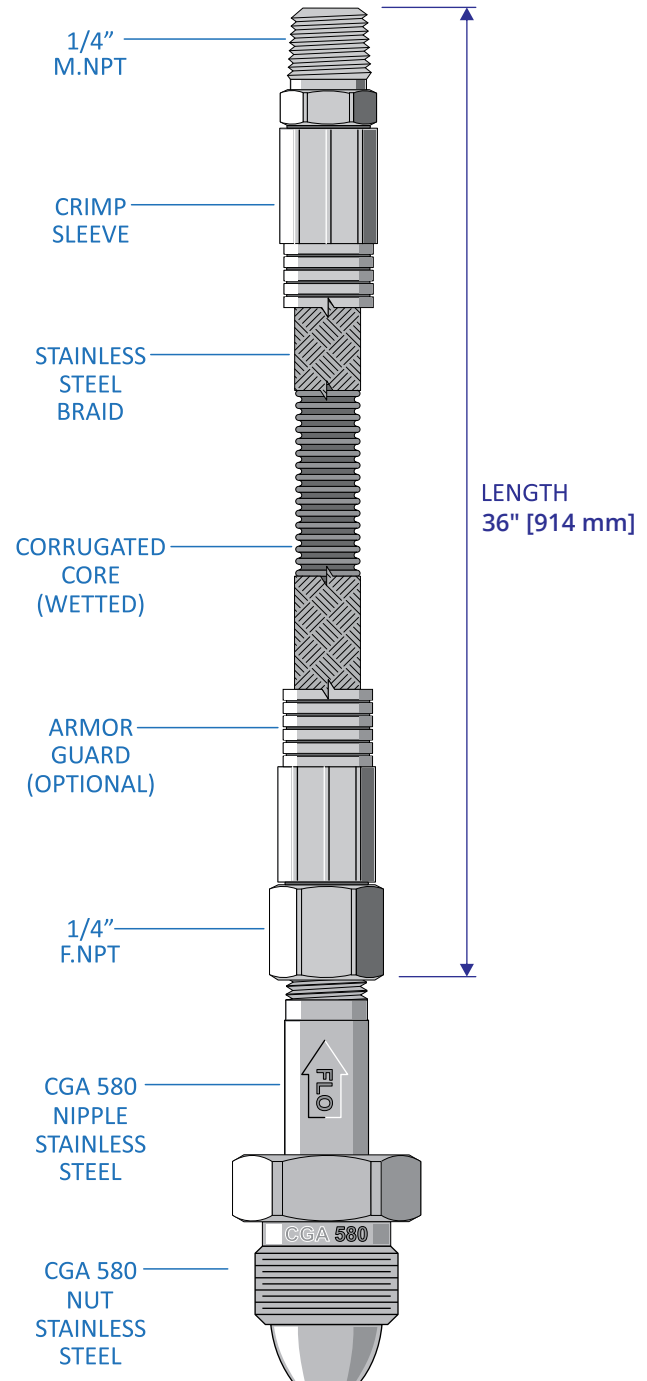
Technical Specifications	
Nominal Hose I.D.	1/4"
O.D w/out Armor	0.64"
O.D. with Armor	0.81"
Number of Braids	2
Dynamic Bend Radius	4.0"
Working Pressure	3850 psi (Hose Only)
Burst Pressure	15,400 psi

#### CGA Cylinder Connection

CGA (Compressed Gas Association) fittings, which are used to attach to compressed gas cylinders containing specialty gases, are the gas industry standard and were developed through the combined efforts of more than 200 member companies worldwide.

The CGA number defines the gas service by having different thread configurations and sizes. The number one goal of having different cylinder valve configurations is safety. The cylinder valves and related connecting fittings are grouped by type of gases (flammables, inerts, oxydizers and more). By doing so, it prevents potentially catastrophic cross-connections such as connecting an oxygen cylinder into a hydrogen pipeline.

Materials of Construction	
Braid	T304 Stainless Steel Double Braid
Hose	T316 Stainless Steel
End Fitting	T316 Stainless Steel
Armor	T304L Stainless Steel



SSH-CGA580N-1/4"-NNCVSS-MNPT-36-CFOS-AG

**Ordering Information**

SSH -      -      - 1/4" -      -      -      -     

A                  B                  C                  D                  E                  F

<b>BeaconMedaes High Pressure Stainless Steel Hose Model Number Chart</b>			
<b>Variable</b>	<b>Definition</b>	<b>Allowable Value</b>	<b>Description</b>
<b>A</b>	Gas Service	CGA 346 CGA 590 CGA 580A CGA 350P CGA 320 CGA 580H CGA 350H CGA 350M CGA 580N CGA 326 CGA 540	Air - Compressed Air - High Purity Argon Argon/Methane(P5 or P10) Carbon Dioxide Helium Hydrogen Methane Nitrogen Nitrous Oxide Oxygen Other Gas (Provide CGA No.)
<b>B</b>	Hose Diameter	1/4"	1/4" Corrugated Inner Core
<b>C</b>	Inlet Connection	FNPT MNPT NN NNCV NNHT NNSS NNCVSS	1/4" NPT Female 1/4" NPT Male CGA Nut & Nipple (Brass) CGA Nut & Nipple w/ Check Valve (Brass) CGA Nut & Nipple Hand-Tight (Brass) CGA Nut & Nipple (Stainless Steel) CGA Nut & Nipple w/ Check Valve (Stainless Steel)
<b>D</b>	Outlet Connection	FNPT MNPT NN NNHT NNSS	1/4" NPT Female 1/4" NPT Male CGA Nut & Nipple (Brass) CGA Nut & Nipple Hand-Tight (Brass) CGA Nut & Nipple (Stainless Steel)
<b>E</b>	Hose Length (Hose Only)		Hose length in Inches * (Min. = 12" [1ft], Max = 600" [50 ft])
<b>F</b>	Option	CFOS BDVP AG WG	Cleaned for Oxygen Service Brass Distance Volume Piece Armor Guard Wire Guard

\*Standard manifold hose length is 36", but SSH Series hoses are available in lengths from 12" to 600".