

Series B Medical Gas Outlets For OEM

SPECIFICATION

Medical Gas Quick-Connect Outlet

The Medical Gas Outlets are gas specific, permanently labeled for the services indicated and accept only corresponding DISS, geometric index, pin index or latch-keyed adapters. The outlets are UL listed, CSA certified, and fully compliant with the latest edition of NFPA 99. All outlets are 100% tested for flow, leaks and connector attachment. The outlets are cleaned for oxygen service in the manufacturing process. The outlets are made in the U.S.A.

Outlet Design

A complete medical gas outlet consists of a gas specific rough-in assembly, a matching gas specific latch valve assembly, and an optional trim plate suitable for installation into a pre-manufactured wall or console panel. The outlet design allows for the change from one style of quick-connect to another without removing the entire outlet.

Rough-in Assembly

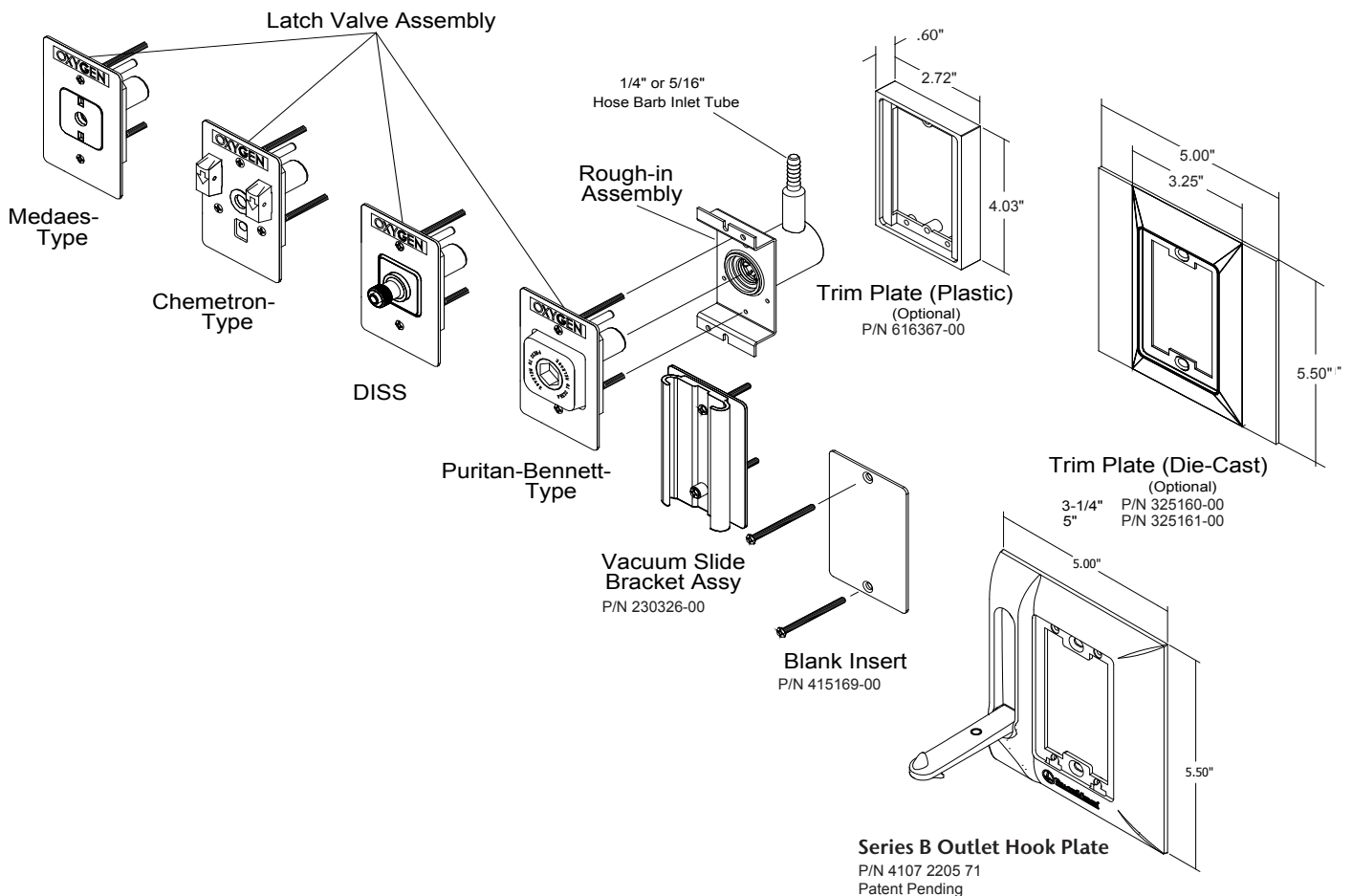
The rough-in assembly is of modular design and includes a gas specific, steel, mounting bracket designed to permit on-site location and installation. The gas inlet of the outlet body are a DISS or hose barb fitting connection. A secondary valve is included in the rough-in assembly for standing pressure testing of the distribution system and to prevent gas flow (except vacuum and WAGD) when the latch valve is removed for service.

Latch Valve Assembly

The latch valve assembly is indexed to the corresponding rough in assembly to avoid accidental cross connection. Latch valves have permanent color-coded gas service identification clearly indicated on the front surface.

Trim Options

Either a die cast, light gray, epoxy powder-coated trim plate or a smaller plastic trim plate can be provided to trim each outlet. A hook plate with a retractable arm can also be provided to trim each outlet. The die cast plate and hook plate are designed specifically to fill the space between adjacent outlets. The finish of the hook plate is treated with Biomaster, an additive that has been shown to reduce bacteria and mold growth. All trim plates allow latch valves to be individually removed for servicing.

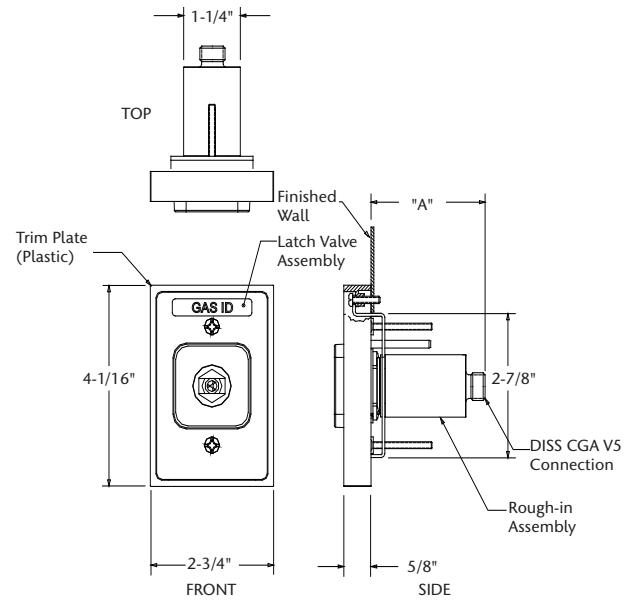
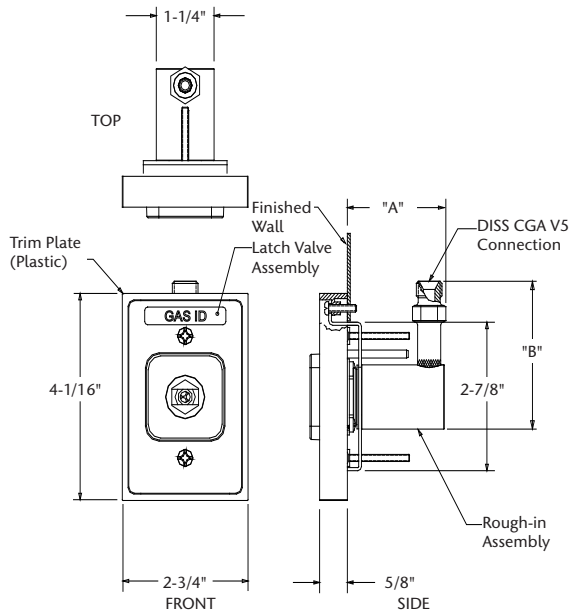




Console Rough-In Assembly						
Gas Service	Color Code (Background/Text)	Hose Barb	Rear Entry DISS	90° DISS	Rear Entry Tube	Rear Entry Hose Barb
Oxygen	White/Green	<input type="checkbox"/> 233210-00	<input type="checkbox"/> 233310-00	<input type="checkbox"/> 233410-00	<input type="checkbox"/> 233610-00	<input type="checkbox"/> 233810-00
Nitrous Oxide	Blue/White	<input type="checkbox"/> 233211-00	<input type="checkbox"/> 233311-00	<input type="checkbox"/> 233411-00	<input type="checkbox"/> 233611-00	<input type="checkbox"/> 233811-00
Medical Air	Yellow/Black	<input type="checkbox"/> 233212-00	<input type="checkbox"/> 233312-00	<input type="checkbox"/> 233412-00	<input type="checkbox"/> 233612-00	<input type="checkbox"/> 233812-00
Vacuum	White/Black	<input type="checkbox"/> 233213-00	<input type="checkbox"/> 233313-00	<input type="checkbox"/> 233413-00	<input type="checkbox"/> 233613-00	NA
Vacuum*	White/Black	<input type="checkbox"/> 233213-53	NA	NA	NA	<input type="checkbox"/> 233813-00*
Nitrogen	Black/White	<input type="checkbox"/> 233214-00	<input type="checkbox"/> 233314-00	<input type="checkbox"/> 233414-00	<input type="checkbox"/> 233614-00	<input type="checkbox"/> 233814-00
Medical Air (ISO)	White-Black/Black-White	<input type="checkbox"/> 233216-00	<input type="checkbox"/> 233316-00	<input type="checkbox"/> 233416-00	<input type="checkbox"/> 233616-00	<input type="checkbox"/> 233816-00
Vacuum (ISO)	Yellow/Black	<input type="checkbox"/> 233217-00	<input type="checkbox"/> 233317-00	<input type="checkbox"/> 233417-00	<input type="checkbox"/> 233617-00	<input type="checkbox"/> 233817-00
Instrument Air	Red/White	<input type="checkbox"/> 233218-00	<input type="checkbox"/> 233318-00	<input type="checkbox"/> 233418-00	<input type="checkbox"/> 233618-00	<input type="checkbox"/> 233818-00
WAGD	Purple/White	<input type="checkbox"/> 233219-00	<input type="checkbox"/> 233319-00	<input type="checkbox"/> 233419-00	<input type="checkbox"/> 233619-00	<input type="checkbox"/> 233819-00
WAGD*	Purple/White	<input type="checkbox"/> 233219-53	NA	NA	NA	NA
Carbon Dioxide	Gray/Black	<input type="checkbox"/> 233220-00	<input type="checkbox"/> 233320-00	<input type="checkbox"/> 233420-00	<input type="checkbox"/> 233620-00	<input type="checkbox"/> 233820-00
CO ₂ -O ₂ (CO ₂ >7%)	Gray-White/Black-Green	<input type="checkbox"/> 233221-00	<input type="checkbox"/> 233321-00	<input type="checkbox"/> 233421-00	<input type="checkbox"/> 233621-00	<input type="checkbox"/> 233821-00
O ₂ -CO ₂ (CO ₂ <7%)	White-Gray/Green-Black	<input type="checkbox"/> 233222-00	<input type="checkbox"/> 233322-00	<input type="checkbox"/> 233422-00	<input type="checkbox"/> 233622-00	<input type="checkbox"/> 233822-00
He-O ₂ (He>80%)	Brown-White/White-Green	<input type="checkbox"/> 233223-00	<input type="checkbox"/> 233323-00	<input type="checkbox"/> 233423-00	<input type="checkbox"/> 233623-00	<input type="checkbox"/> 233823-00
O ₂ -He (He<80%)	White-Brown/Green-White	<input type="checkbox"/> 233224-00	<input type="checkbox"/> 233324-00	<input type="checkbox"/> 233424-00	<input type="checkbox"/> 233624-00	<input type="checkbox"/> 233824-00

* 5/16" flexible hose connection

Latch Valve Assembly					
Gas Service	Color Code (Background/Text)	Geometric (Puritan Bennett)	Pin Index (Medaes)	Latch Key (Chemetron)	DISS
Oxygen	White/Green	<input type="checkbox"/> 230930-00	<input type="checkbox"/> 230940-00	<input type="checkbox"/> 230950-00	<input type="checkbox"/> 230910-00
Nitrous Oxide	Blue/White	<input type="checkbox"/> 230931-00	<input type="checkbox"/> 230941-00	<input type="checkbox"/> 230951-00	<input type="checkbox"/> 230911-00
Medical Air	Yellow/Black	<input type="checkbox"/> 230932-00	<input type="checkbox"/> 230942-00	<input type="checkbox"/> 230952-00	<input type="checkbox"/> 230912-00
Vacuum	White/Black	<input type="checkbox"/> 230933-00	<input type="checkbox"/> 230943-00	<input type="checkbox"/> 230953-00	<input type="checkbox"/> 230913-00
Nitrogen	Black/White	NA	NA	NA	<input type="checkbox"/> 230914-00
Instrument Air	Red/White	NA	NA	NA	<input type="checkbox"/> 230916-00
Medical Air (ISO)	White-Black/Black-White	<input type="checkbox"/> 230937-00	<input type="checkbox"/> 230947-00	<input type="checkbox"/> 230957-00	<input type="checkbox"/> 230917-00
Vacuum (ISO)	Yellow/Black	<input type="checkbox"/> 230938-00	<input type="checkbox"/> 230948-00	<input type="checkbox"/> 230958-00	<input type="checkbox"/> 230918-00
WAGD	Purple/White	<input type="checkbox"/> 230939-00	<input type="checkbox"/> 230946-00	<input type="checkbox"/> 230959-00	<input type="checkbox"/> 230919-00
Carbon Dioxide	Gray/Black	NA	NA	NA	<input type="checkbox"/> 230920-00
CO ₂ -O ₂ (CO ₂ >7%)	Gray-White/Black-Green	NA	NA	NA	<input type="checkbox"/> 230921-00
O ₂ -CO ₂ (CO ₂ <7%)	White-Gray/Green-Black	NA	NA	NA	<input type="checkbox"/> 230922-00
He-O ₂ (He>80%)	Brown-White/White-Green	NA	NA	NA	<input type="checkbox"/> 230923-00
O ₂ -He (He<80%)	White-Brown/Green-White	NA	NA	NA	<input type="checkbox"/> 230924-00



90° DISS		
Rough-In P/N	A	B
233410-00	2-1/8	2-7/8
233411-00	2-3/16	3-3/16
233412-00		
233413-00		
233414-00		
233419-00	2-1/4	
233420-00	2-3/16	

Rear Entry DISS	
Rough-In P/N	A
233310-00	2-1/2
233311-00	2-7/16
233312-00	
233313-00	
233314-00	
233319-00	2-15/16
233320-00	2-7/16

90° Hose Barb

