

ESO Series Recessed-Mounted Emergency Stop Switches

Description

Immediately cut power with a single push. The ESO Series Recessed-Mount Emergency Stops stay switched (maintained) and have a red plastic button and screw terminal connections. The switches are oil and watertight and corrosion resistant.

The easy to mount switch box with knockouts are galvanized steel. The box has multiple knockouts to connect fittings.

The fascia is a water resistant Vinyl sticker protected with a Lexan over-laminate. The front mounting plate is a corrosion resistant aluminum plate. The gas service is clearly identified on the fascia for quick identification of the emergency shut off switch.

Key Features

Aluminum Mounting Plate

Corrosion resistant

Three Styles of Push Button

Configuration adapted to your applications

Fascia Clearly Identifies Gas Service

Each ESO is labeled for the specific gas service

Switch Boxes with Knockouts

Fits standard wall depth
Electrician friendly installation

DPST-2NC Circuits

Up to 2 separate circuits can be shut down with the same switch

Emergency Stop Switch Styles



PULL TO RESET



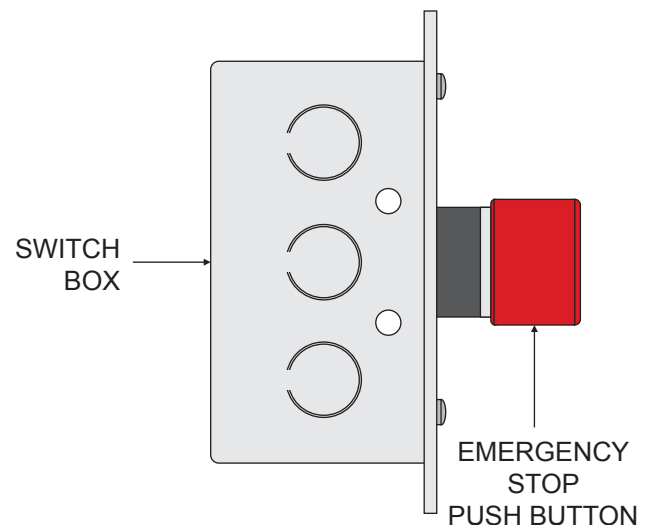
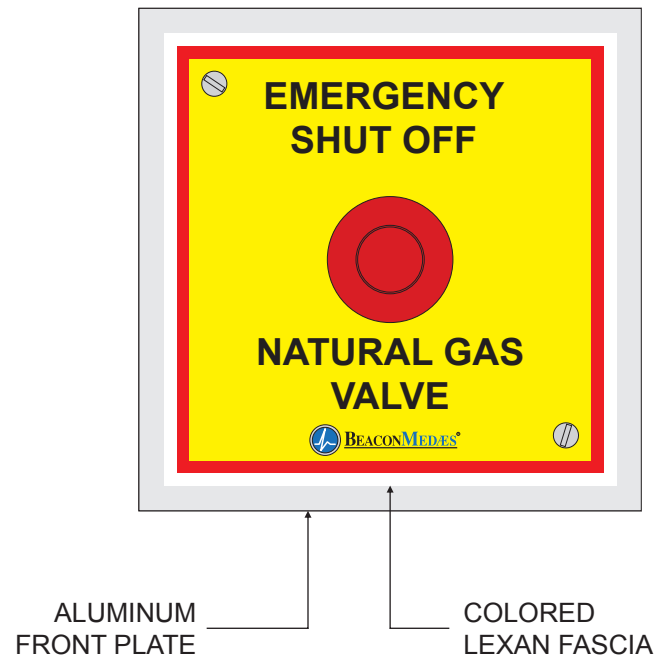
KEY TO RESET



TURN TO RESET

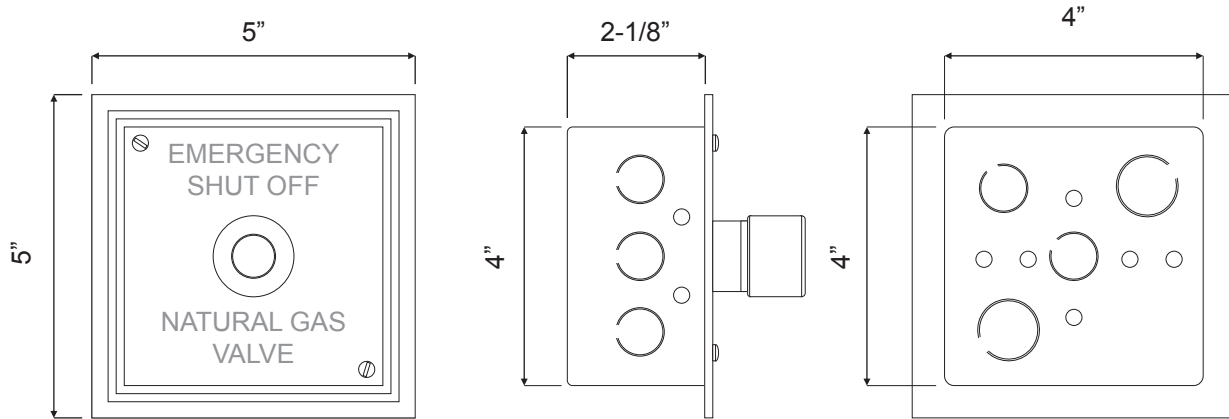


4" X 4"
SWITCH BOX WITH
KNOCKOUTS UL Listed

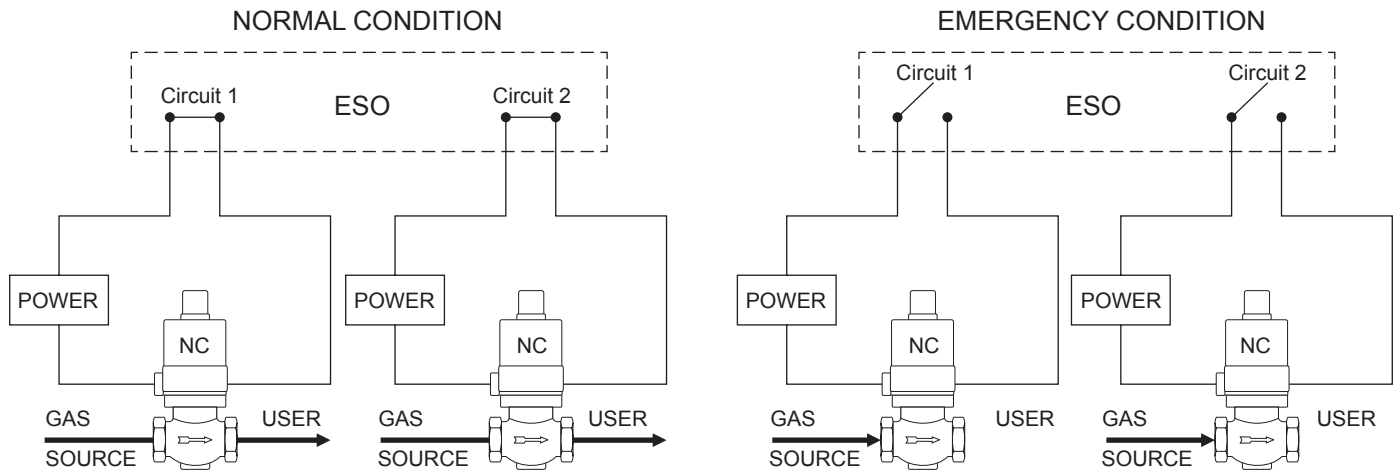


Recessed-Mounted Emergency Stop Switches

Dimensions



Circuitry



Under normal condition, the emergency stop button is not pushed and the electrical circuit is closed, the solenoid valve is energized and lets the gas flow in the pipeline up to the point of use. Because the ESO Series has two circuits, it can accept up to two (2) solenoid valves.

Under emergency conditions, the emergency stop button is pushed and the electrical circuit opens, the solenoid valve is NOT energized and closes causing the flow of gas to stop at the inlet of the solenoid valve. Both solenoid valves are de-energized at the same time.

Recessed-Mounted Emergency Stop Switches

Technical Specifications

FASCIA AND MOUNTING PLATE		
Mounting Plate		Aluminum (1-1/8" thick)
Sticker	Materials	Lexan over Vinyl
	Letters	Black
	Background	Yellow
	Trim	Red
SWITCH BOX		
Conduit Knockouts		3 (1/2"); 2 (3/4"); 8 (1")
Dimensions	Height	4"
	Width	4"
	Depth	2-1/8"
STOP SWITCH		
Certification	Enclosure	EN418 for Machine Safety NEMA 4X, NEMA 13, IP66 for wash down, oil and corrosion protection
	Electrical	UL Listed, CSA Certified CE Marked
Relay	Relay Type	Double Pole Single Throw (DPST)
	Contact	Normally Closed (NC)
	Capacity	6 amps @ 120 VAC 2.5 amps @ 24 VDC 600 Volts AC and DC
Circuit	Quantity	Two (2) DPST - NC Contacts
	Terminals	4
	Switch Action	Maintained (Stays Switched)

Ordering Information



Gas Type	Inscribe
Inert Gases	CGA 580
Flammable Gases like H ₂	CGA 350
Natural Gas	NG
Oxygen	CGA 540
Liquefied Petroleum Gases	CGA 510
Other	Please Specify

Enclosure Type	Inscribe
Recessed (Flush Mount)	R
Surface Mount	SM

Contact Type	Inscribe
Double Pole Single Throw	DPST
2 Normally Close Contacts	
Single Pole Single Throw	SPST
1 Normally Close Contact	

Reset Mode	Inscribe
Plastic Pull-to-Reset	PTR
Plastic Key-to-Reset	KTR
Plastic Turn to Reset	TTR

Enclosure Type	Inscribe
4" x 4"	4
Plastic Enclosure	PE
Made-to-Order	MTO

