

## Hose Reels for Medical Gas and Vacuum

### SPECIFICATION

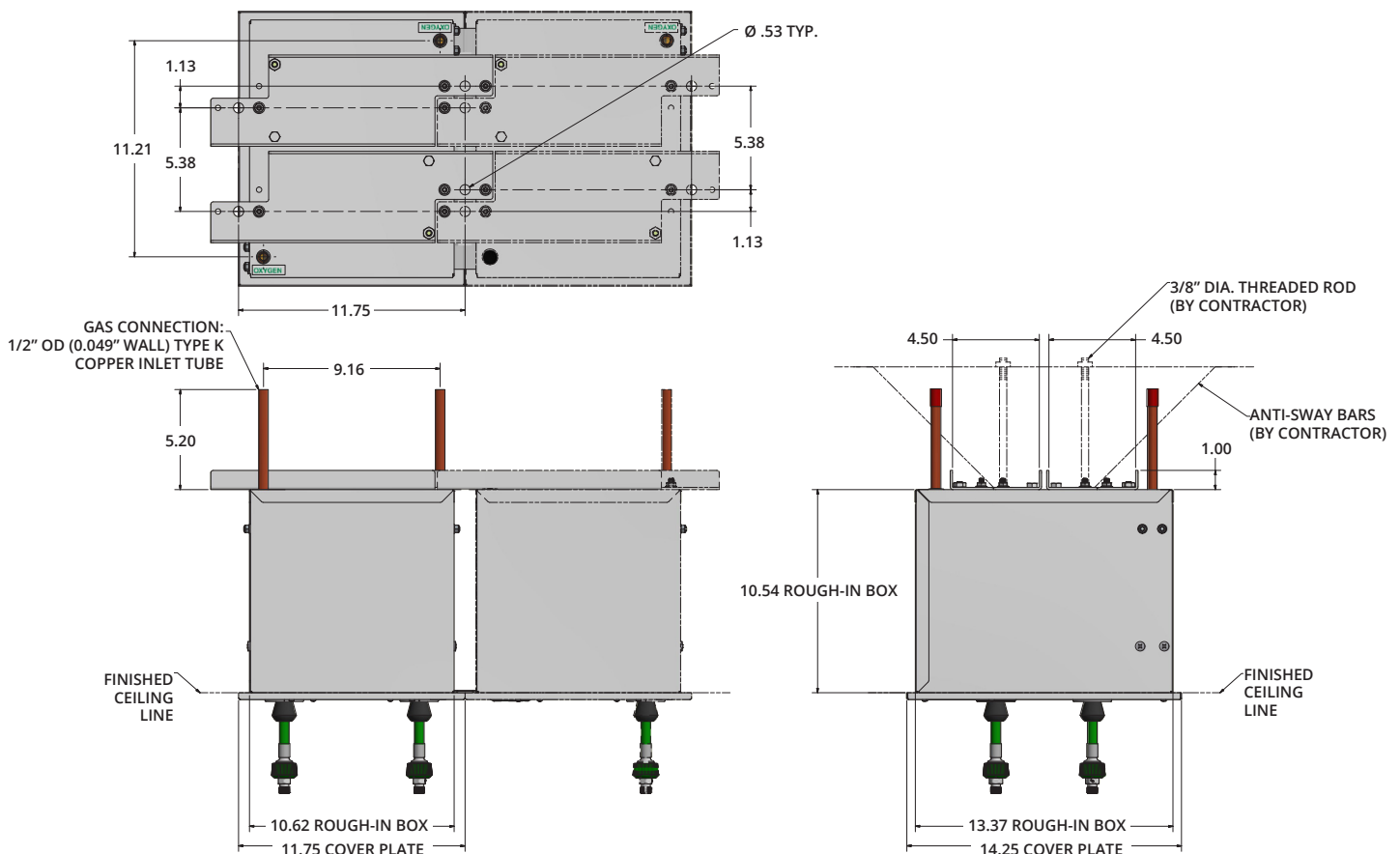
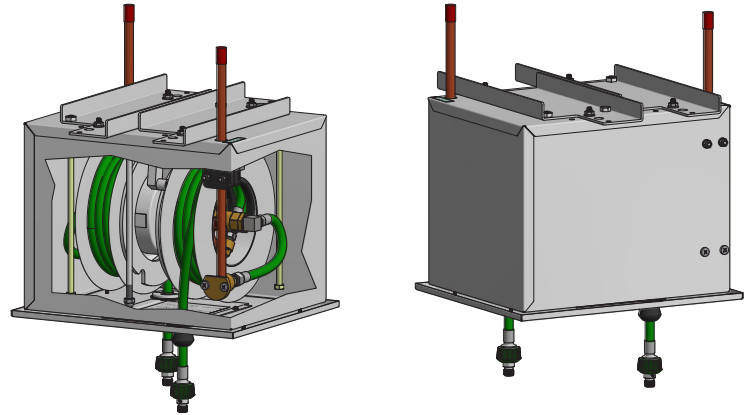
#### Hose Reels

Each modular hose reel assembly accommodates one or two specifically labeled gas service valve connections. Gang hose reel assemblies for multiple non-flammable medical gas and vacuum service applications. Each gas service reel is fitted with 12 feet of color-coded, gas specific medical hose with a gas specific quick-connect or DISS valve. Medical gas hoses are 1/4" ID and medical vacuum hoses are 5/16" ID to minimize vacuum loss. Unretracted hose length is adjusted as desired by repositioning stops.

Complete reel assemblies are designed for concealed mounting with:

- White powder-coated cover plates
- Floating guide grommets
- White powder-coated 20 gauge steel rough-in box with 11 gauge steel mounting brackets

Replacement of the hoses and minor service is accomplished without completely removing the reel assembly from the rough-in box. Connections from reel to hospital piping system are accomplished through connection of Diameter-Index Safety System (DISS) outlet valves to insure uninterrupted use of the piping system when the reel is disconnected for service or repair.



#### NOTES:

1. Dimensions shown are approximate; DO NOT use for installation framing. Request installation, operating and maintenance instructions furnished with the product.
2. Hose reels may restrict flow.

**Hose Reel Assemblies**

Hose Reel Assemblies - Single Hose			
Item Number	Model Number	Gas	Connection Type
4107302447	HR1-CA-O2-PB	Oxygen	Geometric (PB)
4107302451	HR1-CA-N2O-PB	Nitrous Oxide	Geometric (PB)
4107302455	HR1-CA-AIR-PB	Medical Air	Geometric (PB)
4107302459	HR1-CA-VAC-PB	Vacuum	Geometric (PB)
4107302463	HR1-CA-WAGD-PB	WAGD	Geometric (PB)
4107302448	HR1-CA-O2-MED	Oxygen	Pin Index (MED)
4107302452	HR1-CA-N2O-MED	Nitrous Oxide	Pin Index (MED)
4107302456	HR1-CA-AIR-MED	Medical Air	Pin Index (MED)
4107302460	HR1-CA-VAC-MED	Vacuum	Pin Index (MED)
4107302464	HR1-CA-WAGD-MED	WAGD	Pin Index (MED)
4107302449	HR1-CA-O2-CHEM	Oxygen	Latch Key (Chem)
4107302453	HR1-CA-N2O-CHEM	Nitrous Oxide	Latch Key (Chem)
4107302457	HR1-CA-AIR-CHEM	Medical Air	Latch Key (Chem)
4107302461	HR1-CA-VAC-CHEM	Vacuum	Latch Key (Chem)
4107302465	HR1-CA-WAGD-CHEM	WAGD	Latch Key (Chem)
4107302450	HR1-CA-O2-DISS	Oxygen	DISS
4107302454	HR1-CA-N2O-DISS	Nitrous Oxide	DISS
4107302458	HR1-CA-AIR-DISS	Medical Air	DISS
4107302462	HR1-CA-VAC-DISS	Vacuum	DISS
4107302466	HR1-CA-WAGD-DISS	WAGD	DISS
4107302468	HR1-CA-N2-DISS	Nitrogen	DISS
4107302469	HR1-CA-CO2-DISS	Carbon Dioxide	DISS
4107302470	HR1-CA-IAIR-DISS	Instrument Air	DISS
4107302467	HR1-CA-N2-SCH	Nitrogen	Schrader

Hose Reel Assemblies - Two Hoses (DISS)					
Item Number	Model Number	1st Gas	Connection Type	2nd Gas	Connection Type
4107302618	HR2-CA-O2-DISS-O2-DISS	Oxygen	DISS	Oxygen	DISS
4107302579	HR2-CA-O2-DISS-N2O-DISS	Oxygen	DISS	Nitrous Oxide	DISS
4107302580	HR2-CA-O2-DISS-AIR-DISS	Oxygen	DISS	Medical Air	DISS
4107302581	HR2-CA-O2-DISS-VAC-DISS	Oxygen	DISS	Vacuum	DISS
4107302582	HR2-CA-O2-DISS-WAGD-DISS	Oxygen	DISS	WAGD	DISS
4107302584	HR2-CA-O2-DISS-N2-DISS	Oxygen	DISS	Nitrogen	DISS
4107302585	HR2-CA-O2-DISS-CO2-DISS	Oxygen	DISS	Carbon Dioxide	DISS
4107302586	HR2-CA-O2-DISS-IAIR-DISS	Oxygen	DISS	Instrument Air	DISS
4107302583	HR2-CA-O2-DISS-N2-SCH	Oxygen	DISS	Nitrogen	Schrader

**Hose Reel Assemblies**

Hose Reel Assemblies - Two Hoses (DISS)					
Item Number	Model Number	1st Gas	Connection Type	2nd Gas	Connection Type
4107302622	HR2-CA-N2O-DISS-N2O-DISS	Nitrous Oxide	DISS	Nitrous Oxide	DISS
4107302587	HR2-CA-N2O-DISS-AIR-DISS	Nitrous Oxide	DISS	Medical Air	DISS
4107302588	HR2-CA-N2O-DISS-VAC-DISS	Nitrous Oxide	DISS	Vacuum	DISS
4107302589	HR2-CA-N2O-DISS-WAGD-DISS	Nitrous Oxide	DISS	WAGD	DISS
4107302591	HR2-CA-N2O-DISS-N2-DISS	Nitrous Oxide	DISS	Nitrogen	DISS
4107302592	HR2-CA-N2O-DISS-CO2-DISS	Nitrous Oxide	DISS	Carbon Dioxide	DISS
4107302593	HR2-CA-N2O-DISS-IAIR-DISS	Nitrous Oxide	DISS	Instrument Air	DISS
4107302590	HR2-CA-N2O-DISS-N2-SCH	Nitrous Oxide	DISS	Nitrogen	Shrader
4107302626	HR2-CA-AIR-DISS-AIR-DISS	Medical Air	DISS	Medical Air	DISS
4107302594	HR2-CA-AIR-DISS-VAC-DISS	Medical Air	DISS	Vacuum	DISS
4107302595	HR2-CA-AIR-DISS-WAGD-DISS	Medical Air	DISS	WAGD	DISS
4107302597	HR2-CA-AIR-DISS-N2-DISS	Medical Air	DISS	Nitrogen	DISS
4107302598	HR2-CA-AIR-DISS-CO2-DISS	Medical Air	DISS	Carbon Dioxide	DISS
4107302599	HR2-CA-AIR-DISS-IAIR-DISS	Medical Air	DISS	Instrument Air	DISS
4107302596	HR2-CA-AIR-DISS-N2-SCH	Medical Air	DISS	Nitrogen	Shrader
4107302630	HR2-CA-VAC-DISS-VAC-DISS	Vacuum	DISS	Vacuum	DISS
4107302600	HR2-CA-VAC-DISS-WAGD-DISS	Vacuum	DISS	WAGD	DISS
4107302602	HR2-CA-VAC-DISS-N2-DISS	Vacuum	DISS	Nitrogen	DISS
4107302603	HR2-CA-VAC-DISS-CO2-DISS	Vacuum	DISS	Carbon Dioxide	DISS
4107302604	HR2-CA-VAC-DISS-IAIR-DISS	Vacuum	DISS	Instrument Air	DISS
4107302601	HR2-CA-VAC-DISS-N2-SCH	Vacuum	DISS	Nitrogen	Shrader
4107302634	HR2-CA-WAGD-DISS-WAGD-DISS	WAGD	DISS	WAGD	DISS
4107302606	HR2-CA-WAGD-DISS-N2-DISS	WAGD	DISS	Nitrogen	DISS
4107302607	HR2-CA-WAGD-DISS-CO2-DISS	WAGD	DISS	Carbon Dioxide	DISS
4107302608	HR2-CA-WAGD-DISS-IAIR-DISS	WAGD	DISS	Instrument Air	DISS
4107302605	HR2-CA-WAGD-DISS-N2-SCH	WAGD	DISS	Nitrogen	Shrader
4107302636	HR2-CA-N2-DISS-N2-DISS	Nitrogen	DISS	Nitrogen	DISS
4107302504	HR2-CA-N2-DISS-CO2-DISS	Nitrogen	DISS	Carbon Dioxide	DISS
4107302505	HR2-CA-N2-DISS-IAIR-DISS	Nitrogen	DISS	Instrument Air	DISS
4107302637	HR2-CA-CO2-DISS-CO2-DISS	Carbon Dioxide	DISS	Carbon Dioxide	DISS
4107302506	HR2-CA-CO2-DISS-IAIR-DISS	Carbon Dioxide	DISS	Instrument Air	DISS
4107302638	HR2-CA-IAIR-DISS-IAIR-DISS	Instrument Air	DISS	Instrument Air	DISS
4107302635	HR2-CA-N2-SCH-N2-SCH	Nitrogen	Shrader	Nitrogen	Shrader
4107302501	HR2-CA-N2-SCH-N2-DISS	Nitrogen	Schrader	Nitrogen	DISS
4107302502	HR2-CA-N2-SCH-CO2-DISS	Nitrogen	Schrader	Carbon Dioxide	DISS
4107302503	HR2-CA-N2-SCH-IAIR-DISS	Nitrogen	Schrader	Instrument Air	DISS

**Hose Reel Assemblies**

Hose Reel Assemblies - Two Hoses (Geometric)					
Item Number	Model Number	1st Gas	Connection Type	2nd Gas	Connection Type
4107302615	HR2-CA-O2-PB-O2-PB	Oxygen	Geometric (PB)	Oxygen	Geometric (PB)
4107302471	HR2-CA-O2-PB-N2O-PB	Oxygen	Geometric (PB)	Nitrous Oxide	Geometric (PB)
4107302472	HR2-CA-O2-PB-AIR-PB	Oxygen	Geometric (PB)	Medical Air	Geometric (PB)
4107302473	HR2-CA-O2-PB-VAC-PB	Oxygen	Geometric (PB)	Vacuum	Geometric (PB)
4107302474	HR2-CA-O2-PB-WAGD-PB	Oxygen	Geometric (PB)	WAGD	Geometric (PB)
4107302476	HR2-CA-O2-PB-N2-DISS	Oxygen	Geometric (PB)	Nitrogen	DISS
4107302477	HR2-CA-O2-PB-CO2-DISS	Oxygen	Geometric (PB)	Carbon Dioxide	DISS
4107302478	HR2-CA-O2-PB-IAIR-DISS	Oxygen	Geometric (PB)	Instrument Air	DISS
4107302475	HR2-CA-O2-PB-N2-SCH	Oxygen	Geometric (PB)	Nitrogen	Schrader
4107302619	HR2-CA-N2O-PB-N2O-PB	Nitrous Oxide	Geometric (PB)	Nitrous Oxide	Geometric (PB)
4107302479	HR2-CA-N2O-PB-AIR-PB	Nitrous Oxide	Geometric (PB)	Medical Air	Geometric (PB)
4107302480	HR2-CA-N2O-PB-VAC-PB	Nitrous Oxide	Geometric (PB)	Vacuum	Geometric (PB)
4107302481	HR2-CA-N2O-PB-WAGD-PB	Nitrous Oxide	Geometric (PB)	WAGD	Geometric (PB)
4107302483	HR2-CA-N2O-PB-N2-DISS	Nitrous Oxide	Geometric (PB)	Nitrogen	DISS
4107302484	HR2-CA-N2O-PB-CO2-DISS	Nitrous Oxide	Geometric (PB)	Carbon Dioxide	DISS
4107302485	HR2-CA-N2O-PB-IAIR-DISS	Nitrous Oxide	Geometric (PB)	Instrument Air	DISS
4107302482	HR2-CA-N2O-PB-N2-SCH	Nitrous Oxide	Geometric (PB)	Nitrogen	Shrader
4107302623	HR2-CA-AIR-PB-AIR-PB	Medical Air	Geometric (PB)	Medical Air	Geometric (PB)
4107302486	HR2-CA-AIR-PB-VAC-PB	Medical Air	Geometric (PB)	Vacuum	Geometric (PB)
4107302487	HR2-CA-AIR-PB-WAGD-PB	Medical Air	Geometric (PB)	WAGD	Geometric (PB)
4107302489	HR2-CA-AIR-PB-N2-DISS	Medical Air	Geometric (PB)	Nitrogen	DISS
4107302490	HR2-CA-AIR-PB-CO2-DISS	Medical Air	Geometric (PB)	Carbon Dioxide	DISS
4107302491	HR2-CA-AIR-PB-IAIR-DISS	Medical Air	Geometric (PB)	Instrument Air	DISS
4107302488	HR2-CA-AIR-PB-N2-SCH	Medical Air	Geometric (PB)	Nitrogen	Shrader
4107302627	HR2-CA-VAC-PB-VAC-PB	Vacuum	Geometric (PB)	Vacuum	Geometric (PB)
4107302492	HR2-CA-VAC-PB-WAGD-PB	Vacuum	Geometric (PB)	WAGD	Geometric (PB)
4107302494	HR2-CA-VAC-PB-N2-DISS	Vacuum	Geometric (PB)	Nitrogen	DISS
4107302495	HR2-CA-VAC-PB-CO2-DISS	Vacuum	Geometric (PB)	Carbon Dioxide	DISS
4107302496	HR2-CA-VAC-PB-IAIR-DISS	Vacuum	Geometric (PB)	Instrument Air	DISS
4107302493	HR2-CA-VAC-PB-N2-SCH	Vacuum	Geometric (PB)	Nitrogen	Shrader
4107302631	HR2-CA-WAGD-PB-WAGD-PB	WAGD	Geometric (PB)	WAGD	Geometric (PB)
4107302498	HR2-CA-WAGD-PB-N2-DISS	WAGD	Geometric (PB)	Nitrogen	DISS
4107302499	HR2-CA-WAGD-PB-CO2-DISS	WAGD	Geometric (PB)	Carbon Dioxide	DISS
4107302500	HR2-CA-WAGD-PB-IAIR-DISS	WAGD	Geometric (PB)	Instrument Air	DISS
4107302497	HR2-CA-WAGD-PB-N2-SCH	WAGD	Geometric (PB)	Nitrogen	Shrader

**Hose Reel Assemblies**

Hose Reel Assemblies - Two Hoses (Pin Index)					
Item Number	Model Number	1st Gas	Connection Type	2nd Gas	Connection Type
4107302616	HR2-CA-O2-MED-O2-MED	Oxygen	Pin Index (MED)	Oxygen	Pin Index (MED)
4107302507	HR2-CA-O2-MED-N2O-MED	Oxygen	Pin Index (MED)	Nitrous Oxide	Pin Index (MED)
4107302508	HR2-CA-O2-MED-AIR-MED	Oxygen	Pin Index (MED)	Medical Air	Pin Index (MED)
4107302509	HR2-CA-O2-MED-VAC-MED	Oxygen	Pin Index (MED)	Vacuum	Pin Index (MED)
4107302510	HR2-CA-O2-MED-WAGD-MED	Oxygen	Pin Index (MED)	WAGD	Pin Index (MED)
4107302512	HR2-CA-O2-MED-N2-DISS	Oxygen	Pin Index (MED)	Nitrogen	DISS
4107302513	HR2-CA-O2-MED-CO2-DISS	Oxygen	Pin Index (MED)	Carbon Dioxide	DISS
4107302514	HR2-CA-O2-MED-IAIR-DISS	Oxygen	Pin Index (MED)	Instrument Air	DISS
4107302511	HR2-CA-O2-MED-N2-SCH	Oxygen	Pin Index (MED)	Nitrogen	Shrader
4107302620	HR2-CA-N2O-MED-N2O-MED	Nitrous Oxide	Pin Index (MED)	Nitrous Oxide	Pin Index (MED)
4107302515	HR2-CA-N2O-MED-AIR-MED	Nitrous Oxide	Pin Index (MED)	Medical Air	Pin Index (MED)
4107302516	HR2-CA-N2O-MED-VAC-MED	Nitrous Oxide	Pin Index (MED)	Vacuum	Pin Index (MED)
4107302517	HR2-CA-N2O-MED-WAGD-MED	Nitrous Oxide	Pin Index (MED)	WAGD	Pin Index (MED)
4107302519	HR2-CA-N2O-MED-N2-DISS	Nitrous Oxide	Pin Index (MED)	Nitrogen	DISS
4107302520	HR2-CA-N2O-MED-CO2-DISS	Nitrous Oxide	Pin Index (MED)	Carbon Dioxide	DISS
4107302521	HR2-CA-N2O-MED-IAIR-DISS	Nitrous Oxide	Pin Index (MED)	Instrument Air	DISS
4107302518	HR2-CA-N2O-MED-N2-SCH	Nitrous Oxide	Pin Index (MED)	Nitrogen	Shrader
4107302624	HR2-CA-AIR-MED-AIR-MED	Medical Air	Pin Index (MED)	Medical Air	Pin Index (MED)
4107302522	HR2-CA-AIR-MED-VAC-MED	Medical Air	Pin Index (MED)	Vacuum	Pin Index (MED)
4107302523	HR2-CA-AIR-MED-WAGD-MED	Medical Air	Pin Index (MED)	WAGD	Pin Index (MED)
4107302525	HR2-CA-AIR-MED-N2-DISS	Medical Air	Pin Index (MED)	Nitrogen	DISS
4107302526	HR2-CA-AIR-MED-CO2-DISS	Medical Air	Pin Index (MED)	Carbon Dioxide	DISS
4107302527	HR2-CA-AIR-MED-IAIR-DISS	Medical Air	Pin Index (MED)	Instrument Air	DISS
4107302524	HR2-CA-AIR-MED-N2-SCH	Medical Air	Pin Index (MED)	Nitrogen	Shrader
4107302628	HR2-CA-VAC-MED-VAC-MED	Vacuum	Pin Index (MED)	Vacuum	Pin Index (MED)
4107302528	HR2-CA-VAC-MED-WAGD-MED	Vacuum	Pin Index (MED)	WAGD	Pin Index (MED)
4107302530	HR2-CA-VAC-MED-N2-DISS	Vacuum	Pin Index (MED)	Nitrogen	DISS
4107302531	HR2-CA-VAC-MED-CO2-DISS	Vacuum	Pin Index (MED)	Carbon Dioxide	DISS
4107302532	HR2-CA-VAC-MED-IAIR-DISS	Vacuum	Pin Index (MED)	Instrument Air	DISS
4107302529	HR2-CA-VAC-MED-N2-SCH	Vacuum	Pin Index (MED)	Nitrogen	Shrader
4107302632	HR2-CA-WAGD-MED-WAGD-MED	WAGD	Pin Index (MED)	WAGD	Pin Index (MED)
4107302534	HR2-CA-WAGD-MED-N2-DISS	WAGD	Pin Index (MED)	Nitrogen	DISS
4107302535	HR2-CA-WAGD-MED-CO2-DISS	WAGD	Pin Index (MED)	Carbon Dioxide	DISS
4107302536	HR2-CA-WAGD-MED-IAIR-DISS	WAGD	Pin Index (MED)	Instrument Air	DISS
4107302533	HR2-CA-WAGD-MED-N2-SCH	WAGD	Pin Index (MED)	Nitrogen	Shrader

**Hose Reel Assemblies**

Hose Reel Assemblies - Two Hoses (Latch Key)					
Item Number	Model Number	1st Gas	Connection Type	2nd Gas	Connection Type
4107302617	HR2-CA-O2-CHEM-O2-CHEM	Oxygen	Latch Key (Chem)	Oxygen	Latch Key (Chem)
4107302543	HR2-CA-O2-CHEM-N2O-CHEM	Oxygen	Latch Key (Chem)	Nitrous Oxide	Latch Key (Chem)
4107302544	HR2-CA-O2-CHEM-AIR-CHEM	Oxygen	Latch Key (Chem)	Medical Air	Latch Key (Chem)
4107302545	HR2-CA-O2-CHEM-VAC-CHEM	Oxygen	Latch Key (Chem)	Vacuum	Latch Key (Chem)
4107302546	HR2-CA-O2-CHEM-WAGD-CHEM	Oxygen	Latch Key (Chem)	WAGD	Latch Key (Chem)
4107302548	HR2-CA-O2-CHEM-N2-DISS	Oxygen	Latch Key (Chem)	Nitrogen	DISS
4107302549	HR2-CA-O2-CHEM-CO2-DISS	Oxygen	Latch Key (Chem)	Carbon Dioxide	DISS
4107302550	HR2-CA-O2-CHEM-IAIR-DISS	Oxygen	Latch Key (Chem)	Instrument Air	DISS
4107302547	HR2-CA-O2-CHEM-N2-SCH	Oxygen	Latch Key (Chem)	Nitrogen	Shrader
4107302621	HR2-CA-N2O-CHEM-N2O-CHEM	Nitrous Oxide	Latch Key (Chem)	Nitrous Oxide	Latch Key (Chem)
4107302551	HR2-CA-N2O-CHEM-AIR-CHEM	Nitrous Oxide	Latch Key (Chem)	Medical Air	Latch Key (Chem)
4107302552	HR2-CA-N2O-CHEM-VAC-CHEM	Nitrous Oxide	Latch Key (Chem)	Vacuum	Latch Key (Chem)
4107302553	HR2-CA-N2O-CHEM-WAGD-CHEM	Nitrous Oxide	Latch Key (Chem)	WAGD	Latch Key (Chem)
4107302555	HR2-CA-N2O-CHEM-N2-DISS	Nitrous Oxide	Latch Key (Chem)	Nitrogen	DISS
4107302556	HR2-CA-N2O-CHEM-CO2-DISS	Nitrous Oxide	Latch Key (Chem)	Carbon Dioxide	DISS
4107302557	HR2-CA-N2O-CHEM-IAIR-DISS	Nitrous Oxide	Latch Key (Chem)	Instrument Air	DISS
4107302554	HR2-CA-N2O-CHEM-N2-SCH	Nitrous Oxide	Latch Key (Chem)	Nitrogen	Shrader
4107302625	HR2-CA-AIR-CHEM-AIR-CHEM	Medical Air	Latch Key (Chem)	Medical Air	Latch Key (Chem)
4107302558	HR2-CA-AIR-CHEM-VAC-CHEM	Medical Air	Latch Key (Chem)	Vacuum	Latch Key (Chem)
4107302559	HR2-CA-AIR-CHEM-WAGD-CHEM	Medical Air	Latch Key (Chem)	WAGD	Latch Key (Chem)
4107302561	HR2-CA-AIR-CHEM-N2-DISS	Medical Air	Latch Key (Chem)	Nitrogen	DISS
4107302562	HR2-CA-AIR-CHEM-CO2-DISS	Medical Air	Latch Key (Chem)	Carbon Dioxide	DISS
4107302563	HR2-CA-AIR-CHEM-IAIR-DISS	Medical Air	Latch Key (Chem)	Instrument Air	DISS
4107302560	HR2-CA-AIR-CHEM-N2-SCH	Medical Air	Latch Key (Chem)	Nitrogen	Shrader
4107302629	HR2-CA-VAC-CHEM-VAC-CHEM	Vacuum	Latch Key (Chem)	Vacuum	Latch Key (Chem)
4107302564	HR2-CA-VAC-CHEM-WAGD-CHEM	Vacuum	Latch Key (Chem)	WAGD	Latch Key (Chem)
4107302566	HR2-CA-VAC-CHEM-N2-DISS	Vacuum	Latch Key (Chem)	Nitrogen	DISS
4107302567	HR2-CA-VAC-CHEM-CO2-DISS	Vacuum	Latch Key (Chem)	Carbon Dioxide	DISS
4107302568	HR2-CA-VAC-CHEM-IAIR-DISS	Vacuum	Latch Key (Chem)	Instrument Air	DISS
4107302565	HR2-CA-VAC-CHEM-N2-SCH	Vacuum	Latch Key (Chem)	Nitrogen	Shrader
4107302633	HR2-CA-WAGD-CHEM-WAGD-CHEM	WAGD	Latch Key (Chem)	WAGD	Latch Key (Chem)
4107302570	HR2-CA-WAGD-CHEM-N2-DISS	WAGD	Latch Key (Chem)	Nitrogen	DISS
4107302571	HR2-CA-WAGD-CHEM-CO2-DISS	WAGD	Latch Key (Chem)	Carbon Dioxide	DISS
4107302572	HR2-CA-WAGD-CHEM-IAIR-DISS	WAGD	Latch Key (Chem)	Instrument Air	DISS
4107302569	HR2-CA-WAGD-CHEM-N2-SCH	WAGD	Latch Key (Chem)	Nitrogen	Shrader