

Medical Check Valves with Extensions

SPECIFICATION

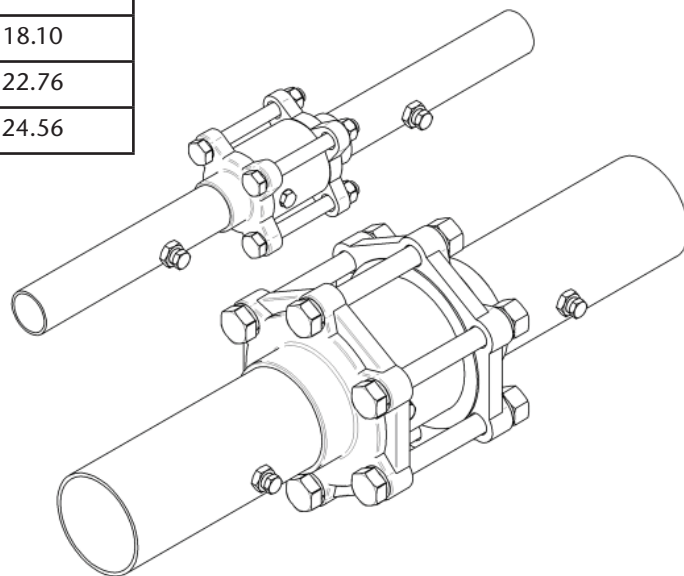
Check Valve Design

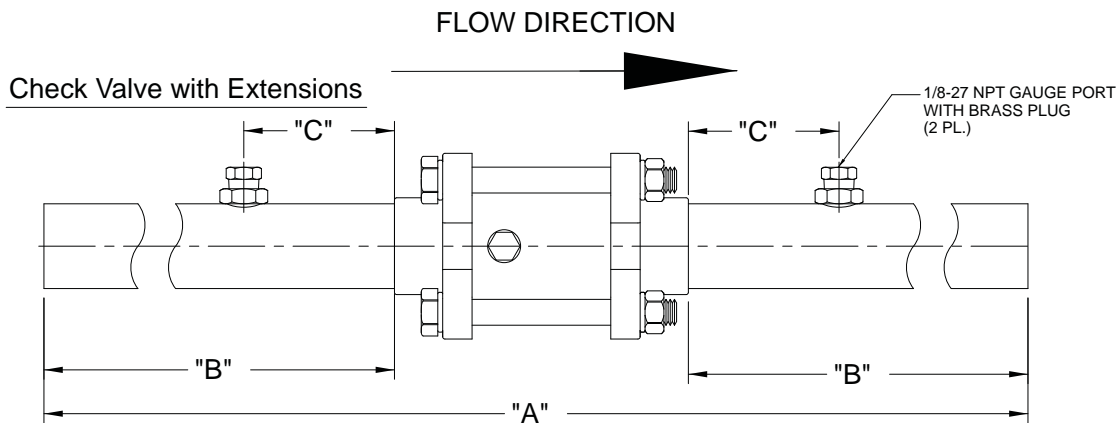
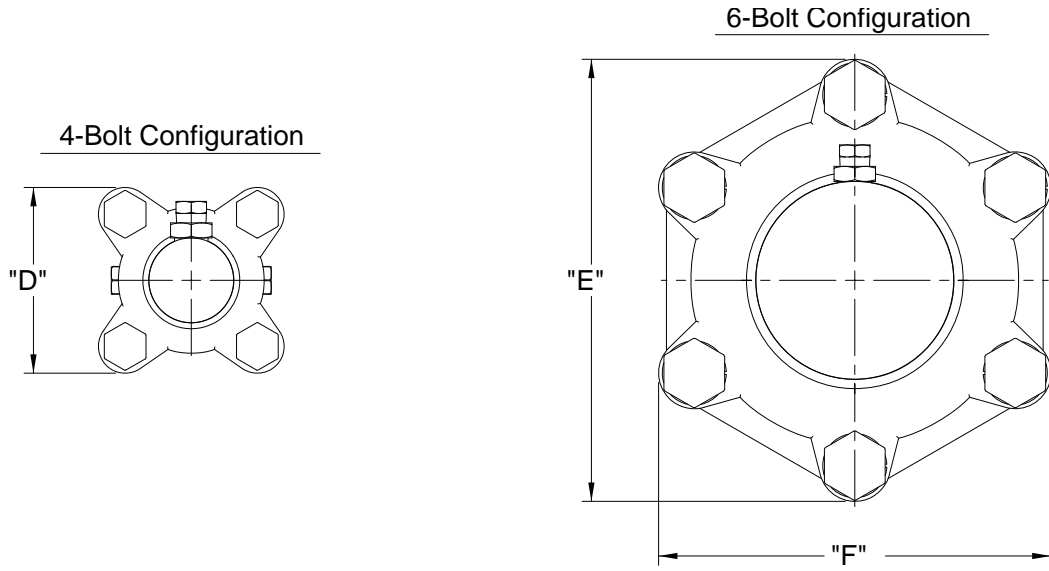
Check valves shall be of brass construction rated for working pressures of 300 psig. The valve body is a 3-piece brass center section with brass forged end caps and is field removable for servicing without cutting or disassembling of lines. Valves are provided with type-K copper tube extensions for connections on the pipeline. Two gauge ports located upstream and downstream of check valve on tube extensions. Hinged, spring-loaded, double disk check valves utilize high temperature silicone flange o-rings and EPDM elastomer hinge. Four bolt design for sizes 3/4" through 2" valves and six bolt design for sizes 2 1/2" through 4" valves. All check valves with extensions are supplied clean and prepared for oxygen service as per CGA G-4.1. Valves are capped and packaged in a polyethylene bag to maintain cleanliness. Type K copper tube extensions conform to ASTM B88, UNS No. C12200, and H58 temper.

NOTE:

The check valve is not recommended for use on a discharge of reciprocating or positive displacement compressors or pumps. Pulsating and cyclic flow will damage the check valve. Maintain at least 6 pipe diameters of straight length of piping between the check valve and any other line restrictions, such as elbows, tees, valves, etc., upstream and downstream of check valve.

Medical Check Valves with Extensions		
Product Number	Check Valve Size (Inches)	Overall Length (Inches)
<input type="checkbox"/> 211400-00	1/2	15.21
<input type="checkbox"/> 211401-00	3/4	15.21
<input type="checkbox"/> 211402-00	1	15.72
<input type="checkbox"/> 211403-00	1-1/4	16.06
<input type="checkbox"/> 211404-00	1-1/2	16.45
<input type="checkbox"/> 211405-00	2	17.18
<input type="checkbox"/> 211406-00	2-1/2	18.10
<input type="checkbox"/> 211407-00	3	22.76
<input type="checkbox"/> 211408-00	4	24.56





Product Number	Check Valve Size (Inches)	A	B	C	D	E	F
211400-00	1/2	15.21	6.00	2.00	2.03	---	---
211401-00	3/4	15.21	6.00	2.00	2.03	---	---
211402-00	1	15.72	6.00	2.00	2.39	---	---
211403-00	1-1/4	16.06	6.00	2.00	2.71	---	---
211404-00	1-1/2	16.45	6.00	2.00	3.05	---	---
211405-00	2	17.18	6.00	2.00	3.80	---	---
211406-00	2-1/2	18.10	6.00	2.00	---	5.95	5.26
211407-00	3	22.76	8.00	2.00	---	6.44	5.70
211408-00	4	24.56	8.00	2.00	---	8.52	7.50

