

HPDS Series High Purity Drop Station

Description

BeaconMedæS high purity drop stations are equipped with a stainless steel ball valve and a chrome-plated regulator providing a sleek, uniform, metallic look. The compression ends of the valve allow for installation with either copper or stainless steel tubing.

The quality of components and their cleanliness maintains gas integrity. The 2000 psi rated ball valve has an extremely low leak rate. It comes with a high purity stainless steel diaphragm regulator. Finally, all components (fittings, regulator, valve and pipe) are thoroughly cleaned.

The HPDS can be ordered with an optional bright dipped, silver brazed, copper pipe extension. This pipe extension greatly helps to transition from the valve to a ½" (5/8" O.D.) NPS copper pipe. The pipe extension can be brazed to the main pipeline.

Key Features

Easy to Install

Can be installed to a copper pipe, a copper tube or a stainless steel tube with the same design

Metallic Smooth Finish

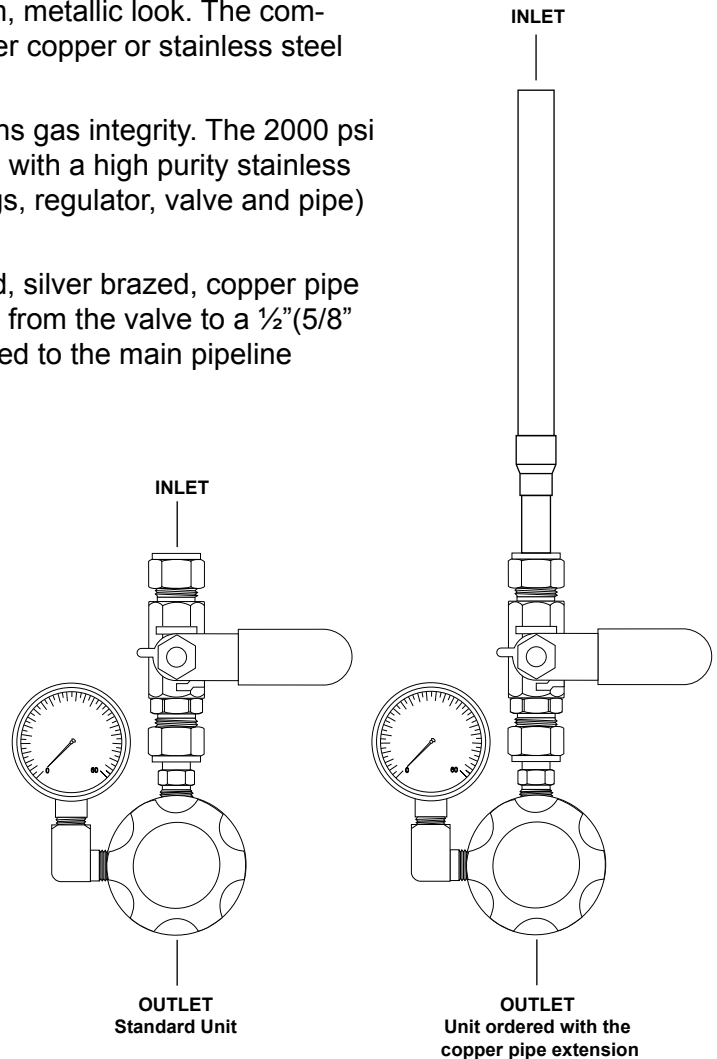
Provides a high tech look and easy to clean surface

Stainless steel diaphragm regulator

Eliminates "off gassing" associated with neoprene diaphragms into the gas stream

High Pressure Ball Valve

Minimizes atmospheric gas diffusion into the gas stream often associated with medical ball valves



Ordering Information

HPDS - [] - [] - []

Delivery Pressure	Inscribe
0-15 psi (0-30 psi gauge)	15
0-50 psi (0-100 psi gauge)	50
0-125 psi (0-200 psi gauge)	125
0-250 psi (0-400 psi gauge)	250
0-500 psi (0-1000 psi gauge)	500

Pipe Extension Leave	Inscribe
Leave Blank if None	
Copper Pipe Extension	CPE

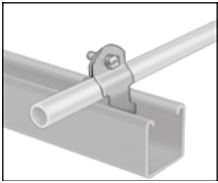
Option	Inscribe
Color Coded Valve Handle*	CVH
Mounting Panel	MP

*Price for the color coded valve lever option is based upon quantity. Consult BeaconMedæS for details.

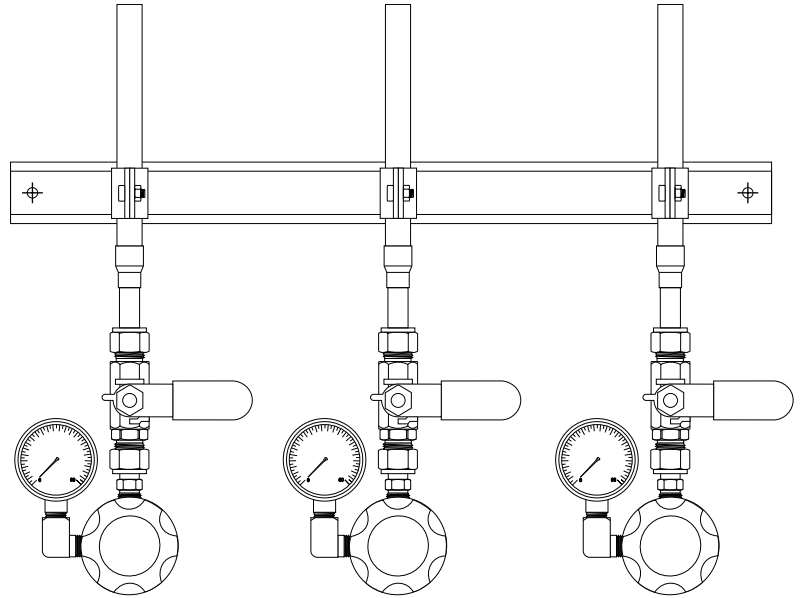
High Purity Drop Station

Configurations & Installation

STRUT-MOUNT CLAMP



Strut-Mount Clamps are the preferred choice for copper pipes.

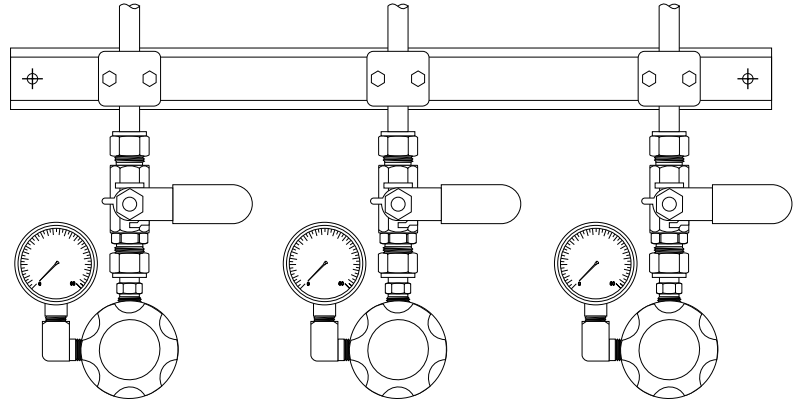


Model Shown: HPDS-15-CPE (Qty=3)

STRUT-MOUNT SUPPORT



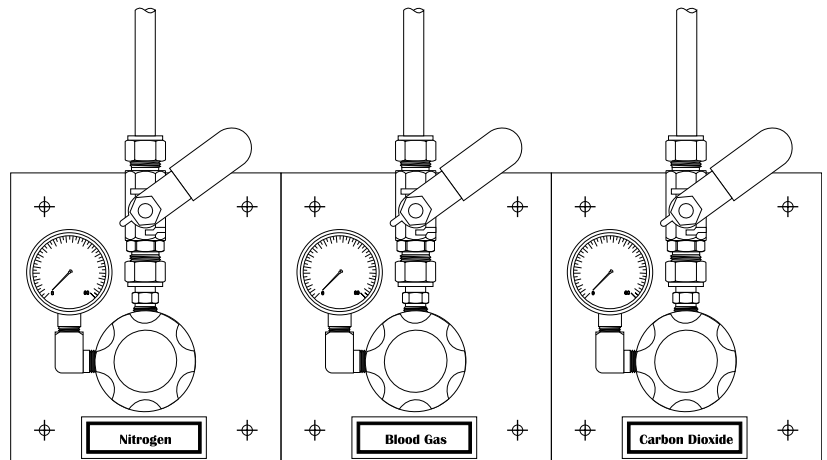
Supports are a great choice for tubing (or piping) where vibration is a problem.



Model Shown: HPDS-15 (Qty = 3)

PANEL MOUNTED

Mounting panels can be installed directly to a wall or to a strut.

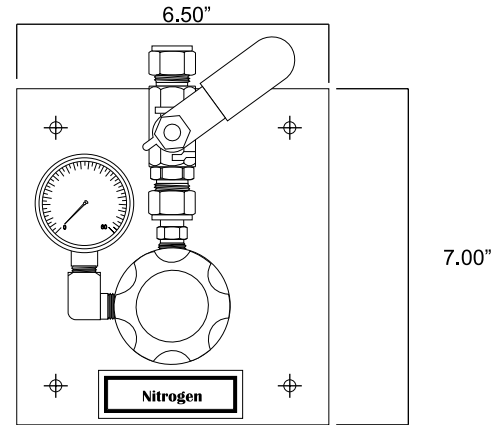
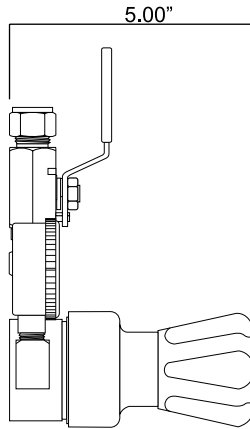
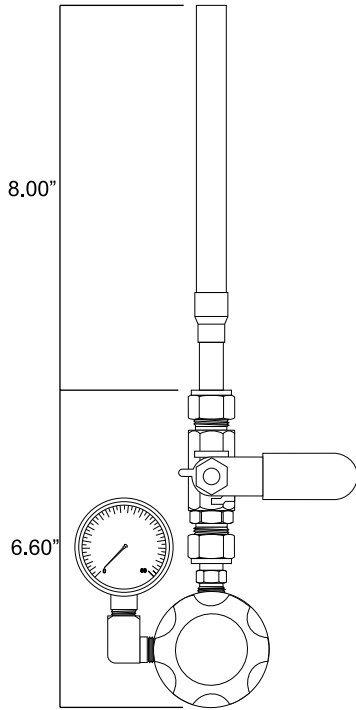


Model Shown: HPDS-15-MP (Qty = 3)

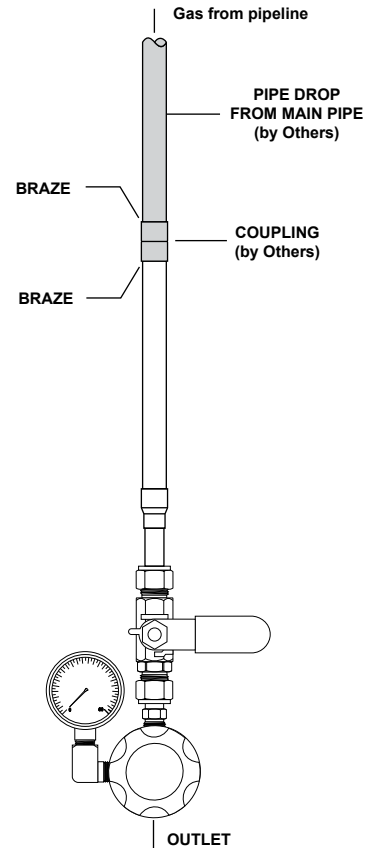
High Purity Drop Station

Dimensions

Approximate dimensions



Plumbing (With Copper Pipe Extension)



Specifications

Maximum Inlet Pressure	200 PSIG (w/o Copper Extension)
Flow Coefficient	0.17
Operating Temperature	-40°F to 140°F
Gauge Diameter	2" - dial
Delivery Pressures and Related Gauges	See Part Number Matrix

Materials

Regulator	
Body	Chrome-plated forged brass
Diaphragm	302 stainless steel
Valve	
Ball	316 stainless steel
Body	316 Stainless Steel
Pipe Extension	Copper
Fittings	Stainless Steel
Mounting Panel	Stainless Steel