

Gas Specific Pressure Switch For 50-55 PSIG Systems

SPECIFICATION

Gas Specific Pressure Switch

BeaconMedaes gas specific pressure switch assemblies are designed to monitor medical gas pipeline systems operating at nominal pressures of 50-55 psig. The switches are U.L. listed single pole double throw snap action micro-switch. Electrical ratings are a minimum of 5 amps at 125 volts. Switches are factory preset to signal the master alarm system when the pipeline pressure increases to 60 psig or decreases to 40 psig (20% increase or decrease from nominal pressure as recommended by NFPA 99). Cleaned for O2 service, use no oil.

BeaconMedaes pressure switch assemblies are compatible with medical gas alarm systems sensing fault on either the opening or closing of the switch contacts.

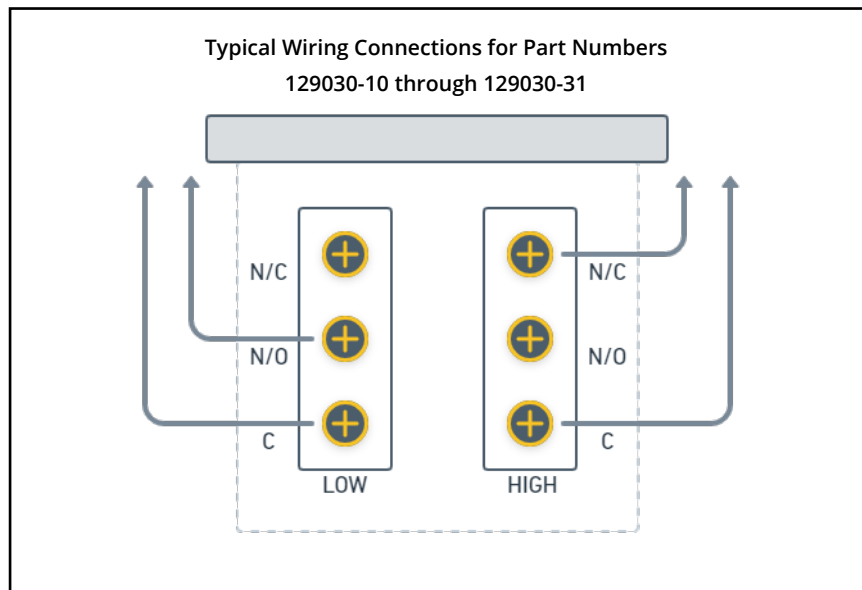
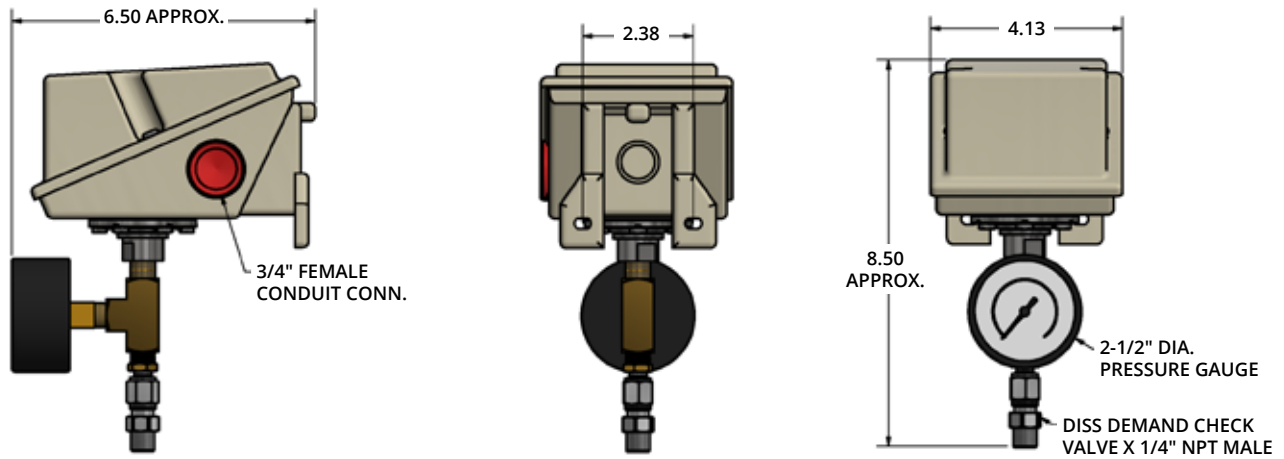
The switch enclosure is epoxy powder coated die-cast aluminum with gasketed cover and captive screws. The switch cover is easily removable to provide access to the switch contact terminals and adjustment screws. Each switch is provided with ¼" clearance holes for optional wall mounting of the assembly. A ¾" NPT female connection is provided for connection of a flexible conduit. (A 2' flexible conduit whip is suggested for connection to the switch to allow for annual testing purposes as required by NFPA 99 without removing electrical connections.)

The pressure switches are rated at 1000 psig proof pressure and are field adjustable for non-standard operating systems. The low set point may be adjusted from 20 to 90 psig on decreasing pressure and the high set point may be adjusted from 30 to 90 psig on increasing pressure. The approximate deadband for the switches is 4 psig.

Each assembly is provided with a DISS gas specific demand valve for connection to the pipeline system. The switch assembly consists of the pressure switch, 2-½" diameter, 0-100 psig pressure gauge and DISS nut and nipple assembly for connection to the demand valve installed on the pipeline.

Gas Specific Pressure Switches - 55 psig				
Part Number	Gas Service	Low Set	High Set	Gauge
<input type="checkbox"/> 129030-10	Oxygen	40	60	0-100
<input type="checkbox"/> 129030-11	Nitrous Oxide	40	60	0-100
<input type="checkbox"/> 129030-12	Medical Air	40	60	0-100
<input type="checkbox"/> 129030-20	Carbon Dioxide	40	60	0-100
<input type="checkbox"/> 129030-21	CO2-O2 (CO2>7%)	40	60	0-100
<input type="checkbox"/> 129030-22	O2-CO2 (CO2<7%)	40	60	0-100
<input type="checkbox"/> 129030-23	He-O2 (He>80%)	40	60	0-100
<input type="checkbox"/> 129030-24	O2-He (Hes80%)	40	60	0-100
<input type="checkbox"/> 129030-25	Helium	40	60	0-100
<input type="checkbox"/> 129030-16	Medical Air (ISO)	40	60	0-100
<input type="checkbox"/> 129030-31	Argon	40	60	0-100



Gas Specific Pressure Switch for 50-55 psig Systems


Life is in the details.®