

Gas Specific Pressure Switch For 180 PSIG Systems

SPECIFICATION

Gas Specific Pressure Switch

BeaconMedaes gas specific pressure switch assemblies are designed to monitor medical gas pipeline systems operating at a nominal pressure of 160-180 psig. The switches are U.L. listed single pole double throw snap action micro-switch. Electrical ratings are a minimum of 5 amps at 125 volts. Switches are factory preset to signal the master alarm system when the pipeline pressure increases to 195 psig or decreases to 140 psig (20% increase or decrease from nominal pressure as recommended by NFPA 99). Cleaned for O2 service, use no oil.

BeaconMedaes pressure switch assemblies are compatible with medical gas alarm systems sensing fault on either the opening or closing of the switch contacts.

The switch enclosure is epoxy powder coated die-cast aluminum with gasketed cover and captive screws. The switch cover is easily removable to provide access to the switch contact terminals and adjustment screws. Each switch is provided with ¼" clearance holes for optional wall mounting of the assembly. A ¾" NPT female connection is provided for connection of a flexible conduit. (A 2' flexible conduit whip is suggested for connection to the switch to allow for annual testing purposes as required by NFPA 99 without removing electrical connections.)

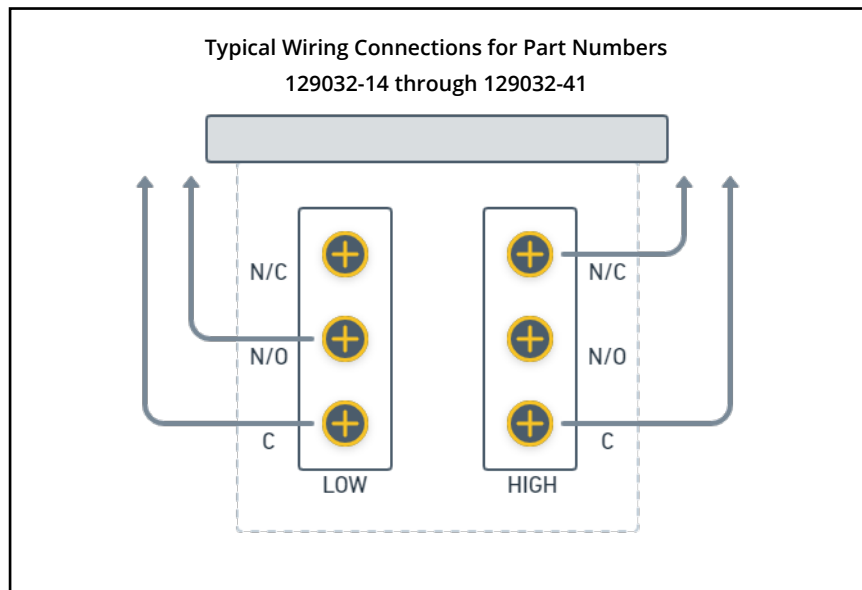
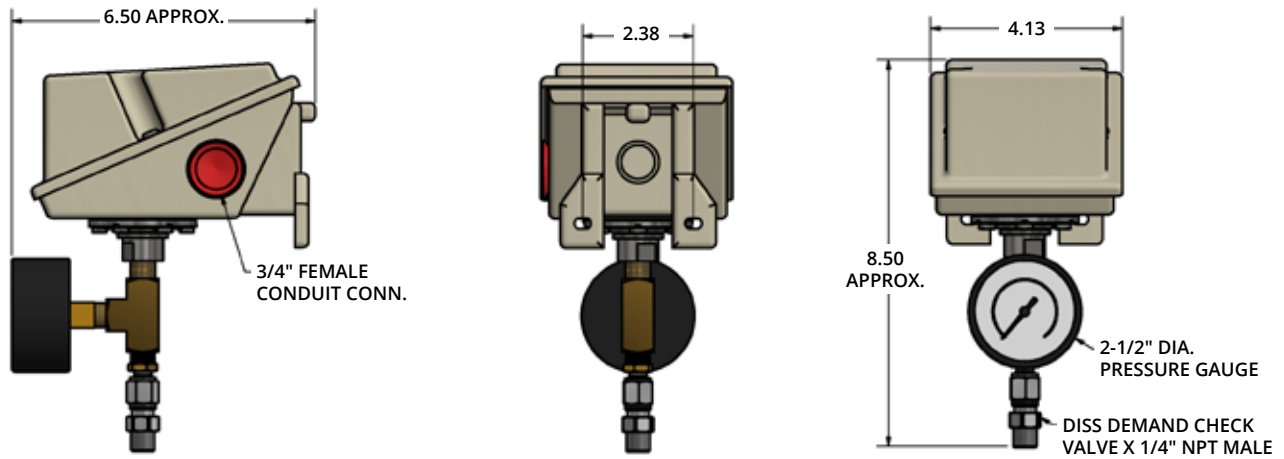
The pressure switches are rated at 1000 psig proof pressure and are field adjustable for non-standard operating systems. The low set point may be adjusted from 25 to 190 psig on decreasing pressure and the high set point may be adjusted from 30 to 200 psig on increasing pressure. The approximate deadband for the switches is 4 psig.

Each assembly is provided with a DISS gas specific demand valve for connection to the pipeline system. The switch assembly consists of the pressure switch, 2-½" diameter, 0-300 psig pressure gauge and DISS nut and nipple assembly for connection to the demand valve installed on the pipeline.

Gas Specific Pressure Switches - 180 psig				
Part Number	Gas Service	Low Set	High Set*	Gauge
<input type="checkbox"/> 129032-14	Nitrogen	140	195	0-300
<input type="checkbox"/> 129032-18	Instrument Air	140	195	0-300
<input type="checkbox"/> 129032-10	Oxygen	140	195	0-300
<input type="checkbox"/> 129032-41	Instrument Air (ISO)	140	195	0-300

* CGA Pamphlet V-5 limits DISS connections to 200 psig maximum.



Gas Specific Pressure Switch for 180 psig Systems


Life is in the details.®