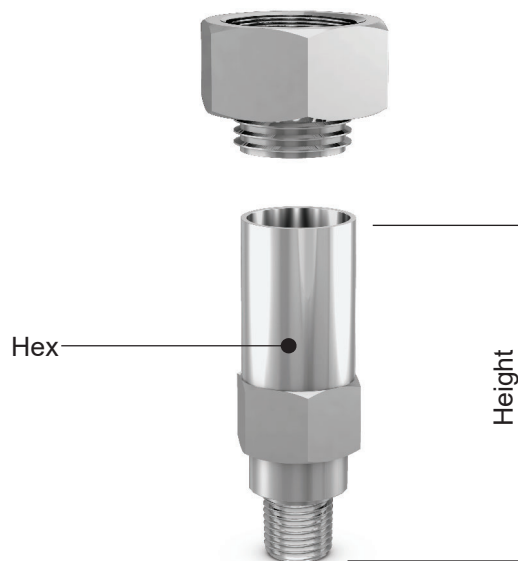


Gas & Cryogenic Service Pressure Relief Valves PRV Series

SPECIFICATION

| Materials of Construction | |
|--|--|
| <i>Spring</i> | Type 316 stainless steel |
| <i>Body, seat retainer, adjusting screw, & pipe away adapter</i> | <ul style="list-style-type: none"> • Brass for brass construction models • Type 316 stainless steel for stainless steel models |

| Discharge Performance | |
|-----------------------------------|---|
| <i>1/4", 3/8" and 1/2" models</i> | 0.783 SCFM air/PSIA at 110% of set pressure |
| <i>3/4" models</i> | 6.7 SCFM air/PSIA at 120% of set pressure |
| <i>1" models</i> | 11 SCFM air/PSIA at 120% of set pressure |



| Dimensions | | | | | |
|-------------------|-------------------|-------------------|-------------------|-------------------|--------------------|
| <i>Inlet</i> | 1/4" [6 mm] | 3/8" [10 mm] | 1/2" [13 mm] | 3/4" [19 mm] | 1" [25 mm] |
| <i>Height</i> | 2 3/5" [66 mm] | 2 3/5" [66 mm] | 2 4/5" [71 mm] | 3 2/5" [86 mm] | 5 1/2" [140 mm] |
| <i>Wrench hex</i> | 7/8" [22 mm] | 7/8" [22 mm] | 7/8" [22 mm] | 1-3/4" [44 mm] | 2-3/8" [60 mm] |

Ordering Information



Part Number Matrix - PRV

| A | |
|-------------------------------|----------|
| GAS | INSCRIBE |
| Air- compressed | CGA 346 |
| Argon | CGA 580 |
| Argon mix | CGA 580 |
| Carbon dioxide | CGA 320 |
| Helium | CGA 580 |
| Hydrogen | CGA 350 |
| Argon/methane | CGA 350 |
| Nitrogen | CGA 580 |
| Air - industrial | CGA 590 |
| Nitrous oxide | CGA 326 |
| Oxygen | CGA 540 |
| Other gas: provide CGA number | |

| B | |
|------------------|----------|
| INLET CONNECTION | INSCRIBE |
| 1/4" M. NPT | 0.25 |
| 3/8" M.NPT | 0.375 |
| 1/2" M, NPT | 0.50 |
| 3/4" M.NPT | 0.75 |
| 1" M.NPT | 1.00 |

| D | |
|-----------------|----------|
| MATERIAL | INSCRIBE |
| Brass | B |
| Stainless steel | SS |

| C | |
|--|----------|
| SET PRESSURE | INSCRIBE |
| For 1/4", 3/8" & 1/2" models 17-600 PSIG | |
| For 3/4" models 50-300 PSIG | |
| For 1" models 100-300 PSIG | |