



## GTB Series General Purpose, Two-Stage, Forged Brass, Cylinder Regulator

### SPECIFICATION

### Applications

#### Non-corrosive gases

- Brass body

#### Medium flow applications

- Cv of 0.15

#### Constant delivery pressure regardless of cylinder pressure

- Two-stage regulator

#### High purity is not critical

- Neoprene diaphragm

#### Designed for use with gas cylinders

- Directly mounted to the cylinder valve with gas related cylinder nut and nipple



### Key Features

#### Neoprene diaphragm

- Permits accurate delivery pressure settings

#### One-piece encapsulated seat design

- Ease of maintenance and ease of cleaning

#### Tamper-proof self re-seating internal valve

- Maintains regulator integrity and reduces maintenance

### Ordering Information



#### Part Number Matrix - GTB

A	
GAS	INSCRIBE
Air-Compressed	CGA 346
Argon	CGA 580
Argon mix	CGA 580
Carbon dioxide*	CGA 320
Helium	CGA 580
Hydrogen	CGA 350
Argon/methane	CGA 350
Nitrogen	CGA 580
Air - industrial	CGA 590
Nitrous oxide*	CGA 326
Oxygen	CGA 540
Other gas: provide CGA number	

B	
DELIVERY PRESSURE	INSCRIBE
1-15 psi (0-30 psi gauge)	15
5-50 psi (0-60 psi gauge)	50
30-125 psi (0-150 psi gauge)	125
50-250 psi (0-400 psi gauge)	250

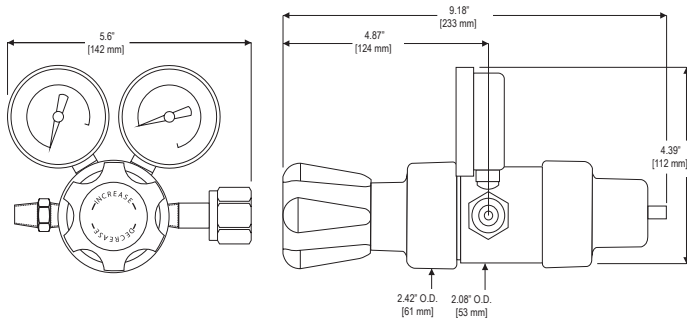
C	
OUTLET ASSEMBLY	INSCRIBE
1/4" F.NPT	4FB
1/4" M.NPT	4MB

\* For carbon dioxide and nitrous oxide service, it is strongly recommended to use electrically heated regulators. Should flow of carbon dioxide or nitrous oxide exceed 35 SCFH, regulator will freeze up and warranty will be null & void.

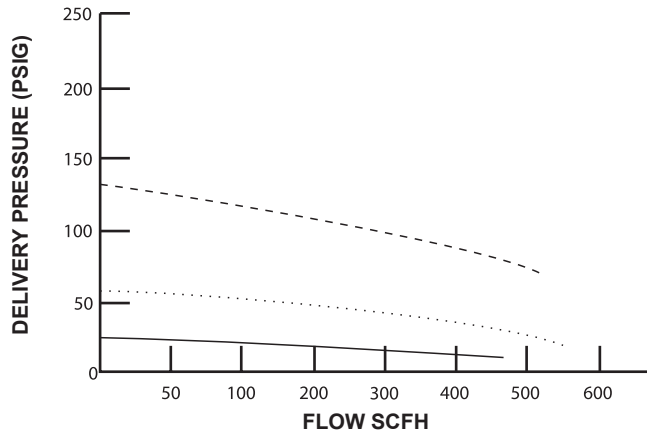
D	
COUNTRY	INSCRIBE
USA	Leave blank
Germany	DIN
United Kingdom	BS
France	AFNOR
Italy	UNI
Argentina	IRAM
Australia & New Zealand	AS
Brazil	ABNT
Netherlands	NEN
Spain	ITC

## Dimensions

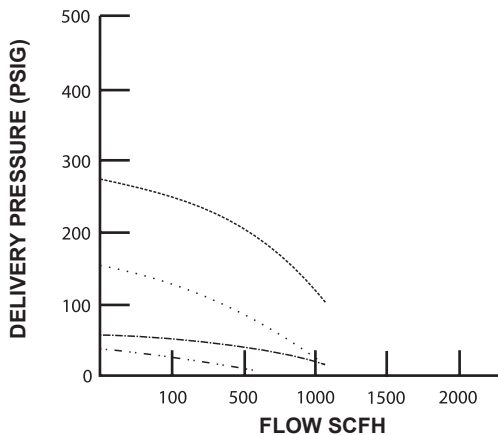
Approximate dimensions  
[Shown with 1/4" M.NPT Outlet]



## Flow data



15 @ 200 PSIG INLET —————  
 50 @ 200 PSIG INLET .....  
 125 @ 200 PSIG INLET - - - - -



15 @ 2000 PSIG INLET - - - - -  
 50 @ 2000 PSIG INLET - - - - -  
 125 @ 2000 PSIG INLET .....  
 250 @ 2000 PSIG INLET .....  
 250 @ 2000 PSIG INLET .....

## Specifications

<b>Maximum Inlet Pressure</b>	3000 psig [207 barg]
<b>Flow Coefficient</b>	Cv = 0.15
<b>Operating Temperature</b>	-40°F to 140°F [-40°C to 60°C]
<b>Gauge Diameter</b>	2" [ 51 mm] dial
<b>Inlet Gauge Range</b>	0 - 4000 psig [0-276 barg]
<b>Delivery Pressure</b>	See Part Number Matrix

## Materials

<b>Regulator</b>	
<b>Body</b>	Brass
<b>Bonnet</b>	Painted Die Cast
<b>Diaphragm</b>	Neoprene
<b>Nozzle</b>	Brass
<b>Seat</b>	PTFE Teflon
<b>Filter</b>	Nickel-plated Sintered Bronze - 10 micron
<b>Seat Return Spring</b>	PH 17-7 Stainless Steel
<b>Adjusting Knob</b>	ABS Plastic
<b>Gas Cylinder Connection</b>	
<b>Nut and Nipple</b>	Brass