



GSB Series General Purpose, Single-Stage, Forged Brass, Cylinder Regulator

SPECIFICATION

Applications

Non-corrosive gases

- Brass body

Medium flow applications

- Cv of 0.17

Slight rise in delivery pressure is not an issue as cylinder pressure goes down

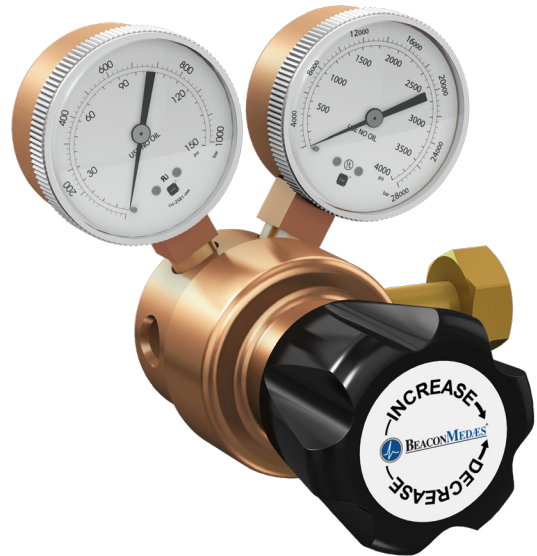
- Single-stage regulator

High purity is not critical

- Neoprene diaphragm

Designed for use with gas cylinders

- Directly mounted to the cylinder valve with related gas cylinder nut and nipple



Key Features

Neoprene diaphragm

- Permits accurate delivery pressure settings

One-piece encapsulated seat design

- Ease of maintenance and ease of cleaning

Tamper-proof self re-seating internal valve

- Maintains regulator integrity and reduces maintenance

Ordering Information



Part Number Matrix - GSB

A	
GAS	INSCRIBE
Air-Compressed	CGA 346
Argon	CGA 580
Argon mix	CGA 580
Carbon dioxide*	CGA 320
Helium	CGA 580
Hydrogen	CGA 350
Argon/methane	CGA 350
Nitrogen	CGA 580
Air - industrial	CGA 590
Nitrous oxide*	CGA 326
Oxygen	CGA 540
Other gas: provide CGA number	

B	
DELIVERY PRESSURE	INSCRIBE
1-15 psi (0-30 psi gauge)	15
5-50 psi (0-60 psi gauge)	50
30-125 psi (0-150 psi gauge)	125
50-250 psi (0-400 psi gauge)	250

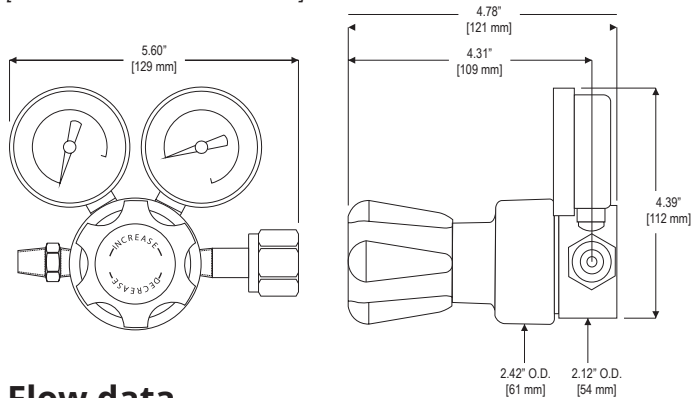
C	
OUTLET ASSEMBLY	INSCRIBE
1/4" F.NPT	4FB
1/4" M.NPT	4MB

** For carbon dioxide and nitrous oxide service, it is strongly recommended to use electrically heated regulators. Should flow of carbon dioxide or nitrous oxide exceed 35 SCFH, regulator will freeze up and warranty will be null & void.*

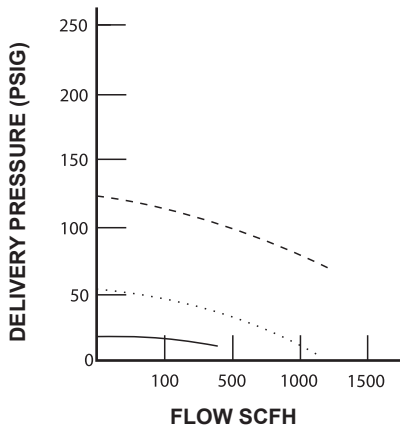
D	
COUNTRY	INSCRIBE
USA	Leave blank
Germany	DIN
United Kingdom	BS
France	AFNOR
Italy	UNI
Argentina	IRAM
Australia & New Zealand	AS
Brazil	ABNT
Netherlands	NEN
Spain	ITC

Dimensions

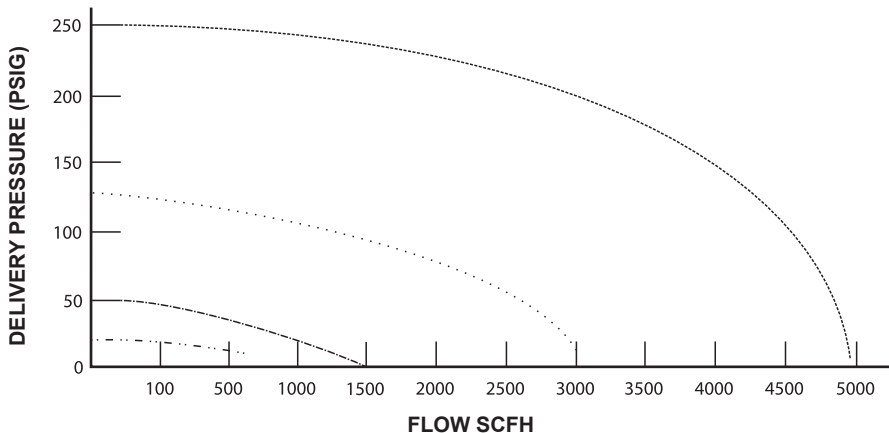
Approximate dimensions
[Shown with 1/4" M. NPT Outlet]



Flow data



15 @ 200 PSIG INLET ———
 50 @ 200 PSIG INLET ·····
 125 @ 200 PSIG INLET - - - -



15 @ 2000 PSIG INLET ·····
 50 @ 2000 PSIG INLET - - - -
 125 @ 2000 PSIG INLET ·····
 250 @ 2000 PSIG INLET ·····

Specifications

Maximum Inlet Pressure	3000 psig [207 barg]
Flow Coefficient	Cv = 0.17
Operating Temperature	-40°F to 140°F [-40°C to 60°C]
Gauge Diameter	2" [51 mm] dial
Inlet Gauge Range	0 - 4000 psig [0-276 barg]
Delivery Pressure	See Part Number Matrix

Materials

Regulator	
Body	Brass
Bonnet	Painted Die Cast
Diaphragm	Neoprene
Nozzle	Brass
Seat and Seals	PTFE Teflon
Filter	Nickel-plated Sintered Bronze - 10 micron
Seat Return Spring	PH 17-7 Stainless Steel
Adjusting Knob	ABS Plastic
Gas Cylinder Connection	
Nut and Nipple	Brass