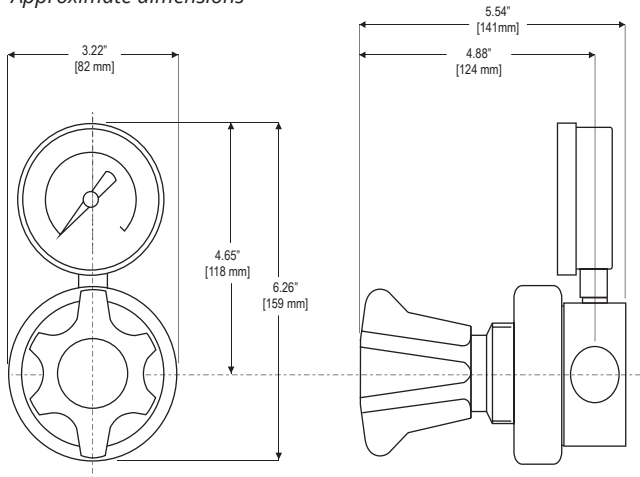


Dimensions

Approximate dimensions



Specifications

Maximum Inlet Pressure	3000 psig [207 barg]
Flow Coefficient	Cv = 0.55*
Operating Temperature	-40° F to 140° F [-40°C to 60°C]
Gauge Diameter	2.5" [64 mm] dial
Delivery Pressures and Related Gauges	See Part Number Matrix

*The maximum inlet pressure for the 1-15 psi delivery range is limited to 500 psi.

Materials

Regulator	
Body	Brass Bar Stock
Bonnet	Brass Bar Stock
Diaphragm	302 Stainless Steel
Nozzle	Brass
Seat and Seals	PTFE Teflon
Filter	Nickel-plated Sintered Bronze - 10 micron
Seat Return Spring	PH 17-7 Stainless Steel
Adjusting Knob	ABS Plastic

Flow Data

