



FLB2 Series High Flow, High Purity, Two Gauge Brass Line Regulator

SPECIFICATION

Applications

Non-corrosive gases

- Brass body

High flow applications

- Cv of 0.55

Slight rise in delivery pressure is acceptable as pipeline pressure goes down

- Single stage regulator

Recommended for gas purity up to Grade 5.0 (99.999% pure)

- Metal to metal diaphragm to body in a bar stock body regulator

For pipelines

- Mounted on the pipeline, with both delivery pressure and inlet pressure gauges

Key Features

Stainless steel diaphragm

- Eliminates “off gassing” associated with neoprene diaphragm into the gas stream

One-piece encapsulated seat design

- Ease of maintenance and ease of cleaning

Tamper-proof self re-seating internal valve

- Maintains regulator integrity and reduces maintenance

Brass bar stock body

- Minimizes diffusion of air into regulator thus maintaining gas purity

Seat assembly with built-in filter

- Traps foreign matter thus extending regulator life and reduces maintenance



Ordering Information

FLB2 - - - **8FB** - **8FB** -
A B C D E

Part Number Matrix - FLB2

A	
GAS	INSCRIBE
Air- compressed	CGA 346
Argon	CGA 580
Argon mix	CGA 580
Carbon dioxide*	CGA 320
Helium	CGA 580
Hydrogen	CGA 350
Argon/methane	CGA 350
Nitrogen	CGA 580
Air - industrial	CGA 590
Nitrous oxide*	CGA 328
Oxygen	CGA 540
Other gas: provide CGA number	

B	
DELIVERY PRESSURE	INSCRIBE
1-15 psi (0-30 psi gauge)	15**
5-50 psi (0-100 psi gauge)	50
30-125 psi (0-200 psi gauge)	125
50-250 psi (0-400 psi gauge)	250
100-500 psi (0-1000 psi gauge)	500

**The maximum inlet pressure for the 1-15 psi delivery range is limited to 500 psi.

C	
INLET ASSEMBLY	INSCRIBE
1/2" F.NPT	8FB

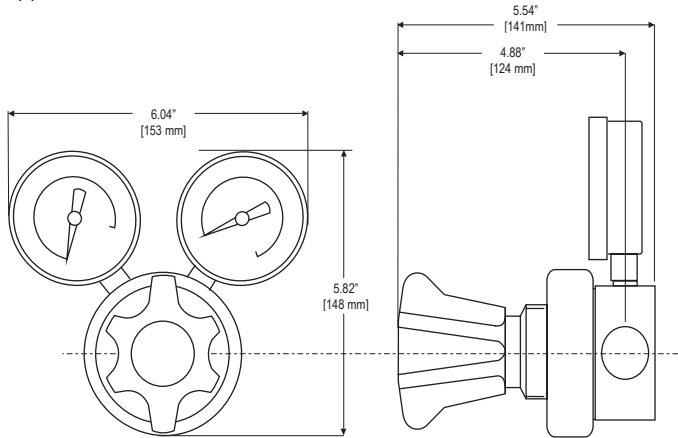
D	
OUTLET ASSEMBLY	INSCRIBE
1/2" F.NPT	8FB

E	
COUNTRY	INSCRIBE
USA	Leave blank
Germany	DIN
United Kingdom	BS
France	AFNOR
Italy	UNI
Argentina	IRAM
Australia & New Zealand	AS
Brazil	ABNT
Netherlands	NEN
Spain	ITC

* For carbon dioxide and nitrous oxide service, it is strongly recommended to use electrically heated regulators. Should flow of carbon dioxide or nitrous oxide exceed 35 SCFH, regulator will freeze up and warranty will be null & void.

Dimensions

Approximate dimensions



Specifications

Maximum Inlet Pressure	3000 psig [207 barg]*
Flow Coefficient	Cv = 0.55
Operating Temperature	-40° F to 140° F [-40°C to 60°C]
Gauge Diameter	2.5" [64 mm] dial
Delivery Pressures and Related Gauges	See Part Number Matrix

*The maximum inlet pressure for the 1-15 psi delivery range is limited to 500 psi.

Materials

Regulator	
Body	Brass Bar Stock
Bonnet	Brass Bar Stock
Diaphragm	302 Stainless Steel
Nozzle	Brass
Seat and Seals	PTFE Teflon
Filter	Nickel-plated Sintered Bronze - 10 micron
Seat Return Spring	PH 17-7 Stainless Steel
Adjusting Knob	ABS Plastic

Flow Data

