

Enclosure-Mounted Emergency Stop Switches (ESS)

SPECIFICATION

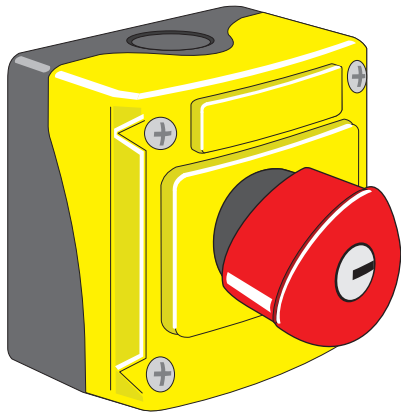
The BeaconMedaes ESS Series enclosure-mounted emergency stop switches are rated NEMA 4X, NEMA 13 and IP66. They are protected from corrosion, washdowns and oil/coolant spraying. They immediately open the electrical circuit when the button is pressed.

The ESS is offered in two (2) different resettable mechanisms:

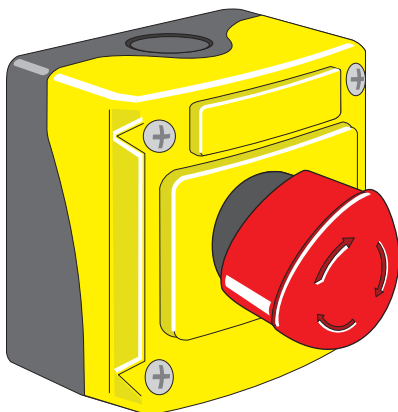
- turn the knob to reset or
- turning the knob with a key

The yellow enclosure allows for quick identification of the switch location. The entire assembly is wall mountable and meet EN 418 for compliance with European machine directives for emergency stop applications.

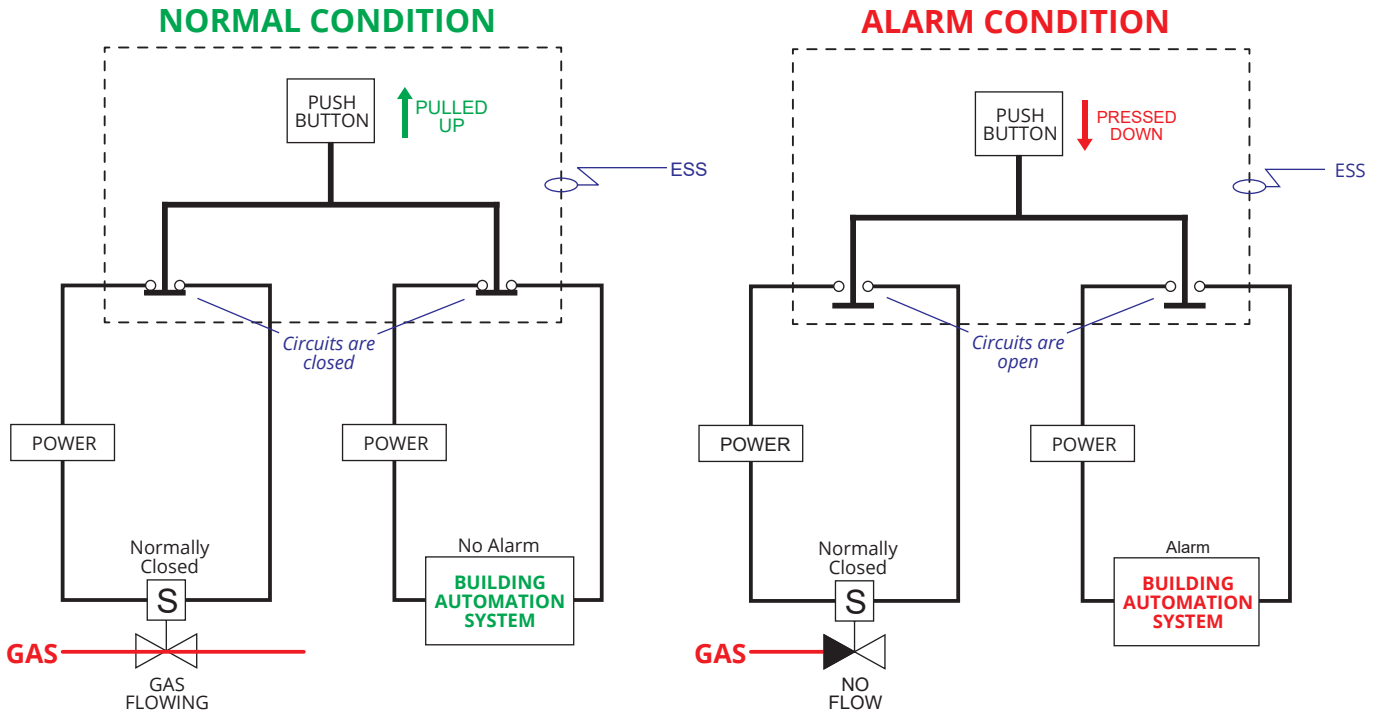
Part number for Key-to-Reset: *ESS-K*



Part number for Turn-to-Reset: *ESS-T*



Technical Data	
Colors	Cover - Yellow Knob - Red
Certification	Enclosure EN418 for machine safety NEMA 4X, NEMA 13, IP66 for washdown, oil and corrosion protection Electrical UL listed, CSA certified CE marked
Relay	Type Double Pole Single Throw (DPST) Contact Normally closed (NC) Capacity 6 amps @ 120 VAC 2.5 amps @ 24 VDC 600 volts AC and DC
Circuit	Quantity Two (2) DPST - NC contacts Terminal Four (4) Switch Action Maintained (Stays Switched)

How to use it

Dimensions
