



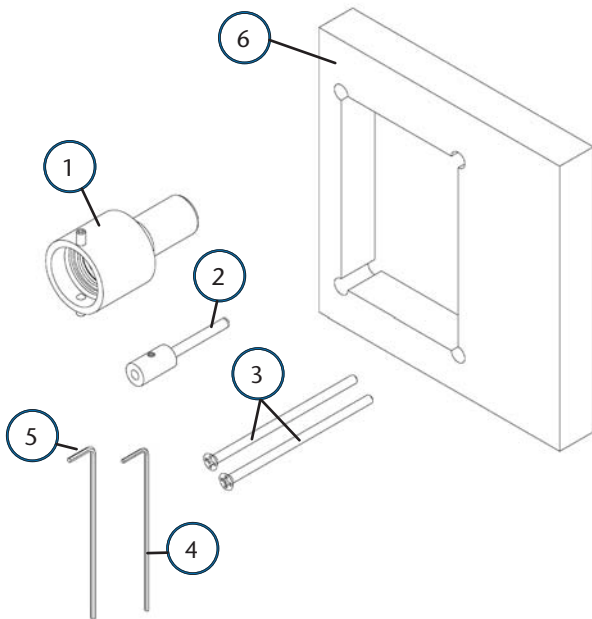
**DiamondCare® Valve Extension Kit**

**SPECIFICATION**

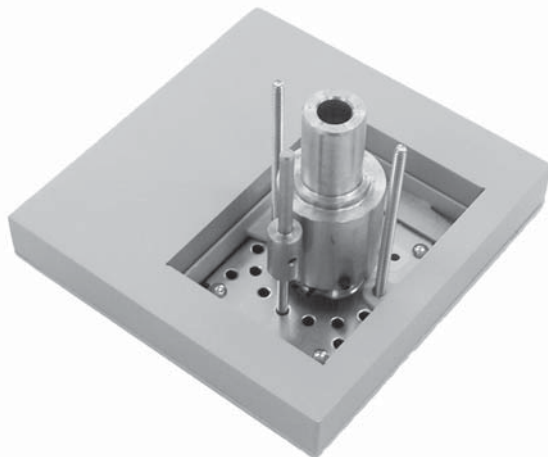
**DiamondCare® Valve Extension Kit**

The DiamondCare® Valve Extension Kit is available in two kits to accommodate varying wall thicknesses between 1-1/4" through 2-1/8". Each kit contains a brass extension adapter with seal and set screws, a stainless steel indexing pin extension with set screw, (2) pan head screws, a 0.50" hex key wrench and a 1/16" hex key wrench. For wall thicknesses between 1-1/4" and 1-3/4", a 5/8" powder coated aluminum stand-off is included in the kit.

DiamondCare® Valve Extension Kits	
Part Number	Description
<input type="checkbox"/> 231002-00	Valve Extension Kit for walls between 1-1/4" and 1-3/4" thick
<input type="checkbox"/> 4107 2121 66	Valve Extension Kit for walls between 1-3/4" and 2-1/8" thick



Item	Qty	Description
1	1	Extension adapter with seal and set screws
2	1	Indexing pin extension with set screw
3	2	#6-32 x 3" pan head screw
4	1	0.50" hex key wrench
5	1	1/16" hex key wrench
6	1	5/8" stand-off (included in kit 231002-00 only)



DiamondCare Extension Valve Kit attached to DiamondCare Frontbody (with 5/8" stand-off)