

## Series B Recessed Medical Gas Ceiling Outlet With Rear Entry Tube

### DISS Key Style

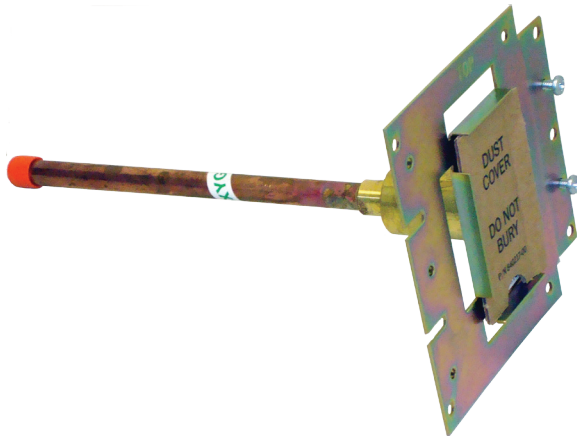
### SPECIFICATION

#### DISS Medical Gas Ceiling Outlet

The DISS Medical Gas ceiling outlets shall be gas specific for the services indicated and accept only corresponding DISS nuts and nipples. The outlets shall be UL listed, CSA certified, and be fully compliant with the latest edition of NFPA 99. All outlets shall be 100% tested for flow, leaks, and connector attachment. The outlets shall be cleaned for oxygen service and capped prior to shipping. The outlets shall be made in the U.S.A. A die cast, light gray, epoxy powder coated trim plate can be provided to trim each wall outlet and to fill the space between adjacent outlets. The trim plate shall allow latch valves to be individually removed for servicing.

#### Outlet Design

A complete medical gas outlet shall consist of a gas-specific rough-in assembly for installation before the ceiling is finished and a matching gas-specific latch-valve assembly and cover plate for installation after the ceiling is finished.



#### Rough-in Assembly

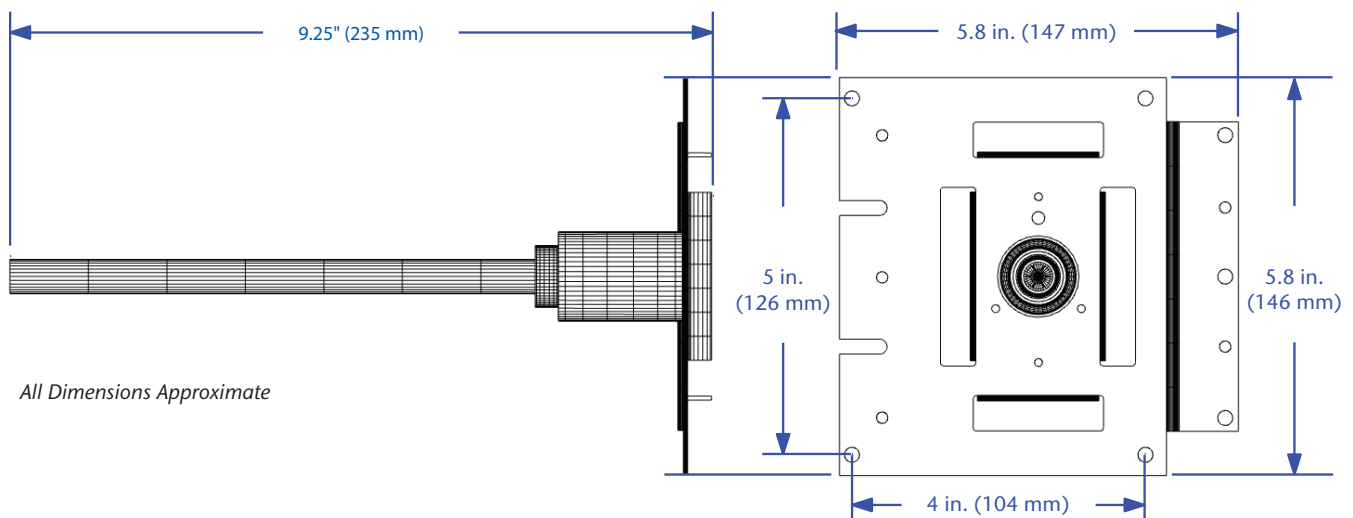
The rough-in assembly shall be of a modular design and include a gas-specific 16-gauge steel mounting plate designed to permit on-site ganging of multiple outlets, in any order, on 5" centerline spacing. The gas inlet of the outlet body shall be 1/2" OD (3/8" nominal) B-819 copper tube, pre-brazed to the outlet body. Gas service identification shall be affixed to the inlet tube and the face of the mounting plate.

A secondary valve shall be included in the outlet block of the rough-in assembly for both pressure testing and preventing gas flow (except vacuum and WAGD) when the latch valve is removed for service. A 3/8" high metal flange around the outlet opening shall provide a plaster barrier. A temporary cover shall be provided to keep debris out of the outlet during installation. The rough-in assembly shall contain a double seal to prevent gas leakage between the rough-in and latch valve assemblies after the ceiling is finished. A single o-ring seal shall not be acceptable.

#### Latch Valve Assembly

The latch-valve assembly shall include an o-ring seal primary valve, be gas specific for the labeled service, and accept only corresponding hose and apparatus with DISS nut and nipple adapters. The latch-valve assembly shall be indexed to the corresponding rough-in assembly to avoid accidental cross-connection and shall telescope up to 3/4" to allow for variation in finished wall thickness from 1/2" up to 1-1/4". A metal cover plate insert with permanent, color-coded marking of service identification shall be included as part of the latch-valve assembly.

#### Reference Dimensions

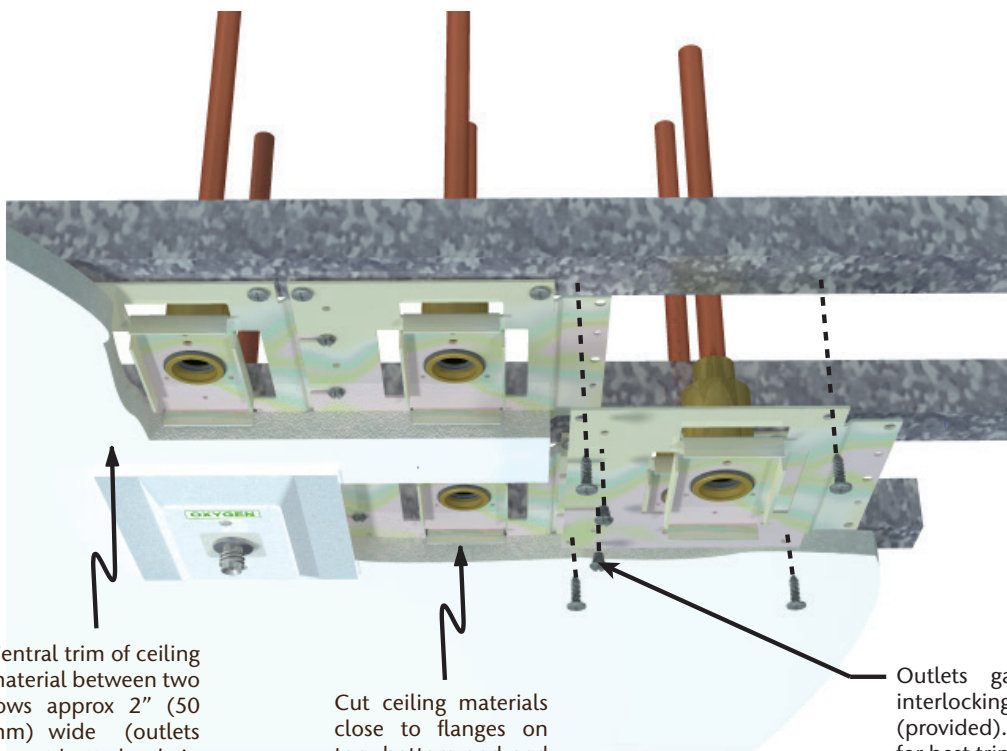




Concealed Ceiling Outlet				
Item	Gas Service	Complete Assembly	Rough-in Assembly (Rear Tube)	Latch-Valve Assembly (DISS)
Series B DISS (U.S.)	O <sub>2</sub>	<input type="checkbox"/> 4107 2092 69	<input type="checkbox"/> 233710-00	<input type="checkbox"/> 230910-00
	N <sub>2</sub> O	<input type="checkbox"/> 4107 2092 70	<input type="checkbox"/> 233711-00	<input type="checkbox"/> 230911-00
	AIR	<input type="checkbox"/> 4107 2092 71	<input type="checkbox"/> 233712-00	<input type="checkbox"/> 230912-00
	VAC	<input type="checkbox"/> 4107 2092 72	<input type="checkbox"/> 233713-00	<input type="checkbox"/> 230913-00
	N <sub>2</sub>	<input type="checkbox"/> 4107 2092 73	<input type="checkbox"/> 233714-00	<input type="checkbox"/> 230914-00
	I AIR	<input type="checkbox"/> 4107 2092 74	<input type="checkbox"/> 233718-00	<input type="checkbox"/> 230916-00
	WAGD	<input type="checkbox"/> 4107 2092 75	<input type="checkbox"/> 233719-00	<input type="checkbox"/> 230919-00
	CO <sub>2</sub>	<input type="checkbox"/> 4107 2092 76	<input type="checkbox"/> 233720-00	<input type="checkbox"/> 230920-00
	CO <sub>2</sub> -O <sub>2</sub> (CO <sub>2</sub> >7%)	<input type="checkbox"/> 4107 2092 77	<input type="checkbox"/> 233721-00	<input type="checkbox"/> 230921-00
	O <sub>2</sub> -CO <sub>2</sub> (CO <sub>2</sub> <7%)	<input type="checkbox"/> 4107 2092 78	<input type="checkbox"/> 233722-00	<input type="checkbox"/> 230922-00
	HE-O <sub>2</sub> (HE>80%)	<input type="checkbox"/> 4107 2092 79	<input type="checkbox"/> 233723-00	<input type="checkbox"/> 230923-00
	O <sub>2</sub> -HE (HE<80%)	<input type="checkbox"/> 4107 2092 80	<input type="checkbox"/> 233724-00	<input type="checkbox"/> 230924-00
	Series B DISS (International)	AIR - ISO	<input type="checkbox"/> 4107 2092 81	<input type="checkbox"/> 233716-00
VAC - ISO		<input type="checkbox"/> 4107 2092 82	<input type="checkbox"/> 233717-00	<input type="checkbox"/> 230918-00
Miscellaneous	Blank, Gas	<input type="checkbox"/> 120979-00		
	Trim Plate (5")	<input type="checkbox"/> 325161-00		

Note: Complete assembly includes rough-in assembly, latch-valve assembly and a trim plate.

**Recommended Installation Method**



Use 1 1/4" (32mm) square or "U" channel for support. Brace solidly or suspend from deck. Space parallel rows 5 3/4" (146 mm) centerline to centerline. Outlet plates must be secured to supports top and bottom (4 places).

Central trim of ceiling material between two rows approx 2" (50 mm) wide (outlets do not butt closely in parallel rows).

Cut ceiling materials close to flanges on top, bottom and end of rows.

Outlets gang together with interlocking flanges and screws (provided). Fit together tightly for best trim.