

Ceiling Mounted Electrical Drops

SPECIFICATION

Ceiling Mounted Electrical Drops

Ceiling mounted electrical drops are provided with a die cast, light gray, epoxy powder coated trim plate and a solid anodized aluminum insert plate to match Beacon Medical Products wall/ceiling mounted medical gas outlets and electrical accessories. All electrical devices utilize UL/CSA recognized hospital grade receptacles.

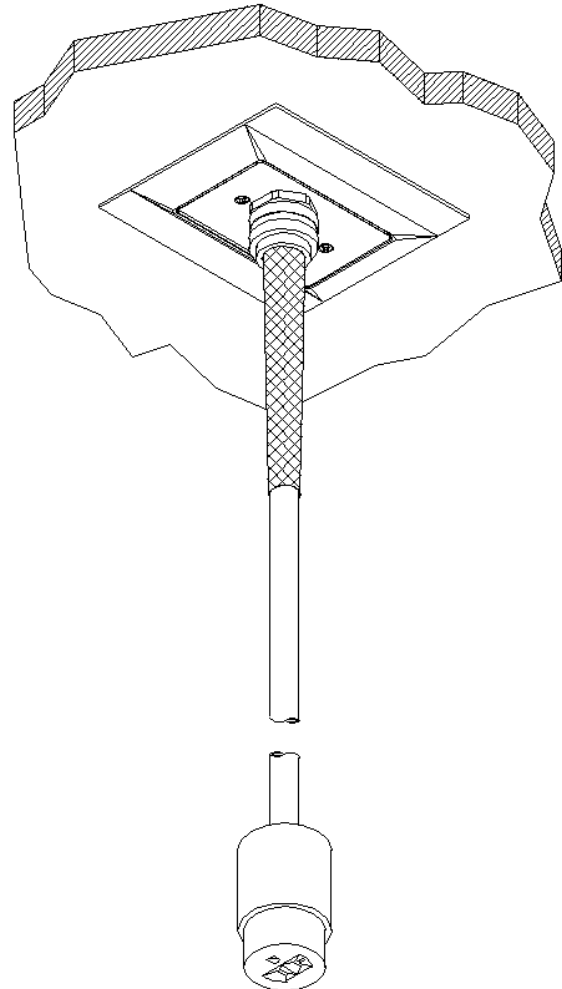
Rough-in Assembly

The rough-in assembly consists of a galvanized 4" square x 2" deep electrical box attached to a 16-gauge steel mounting plate with yellow chromate on zinc plating. Attached to the front of the mounting plate is a galvanized 5/8" raised single device cover. The rough-in assembly uses a modular design to permit on site ganging of multiple electrical accessories and/or Beacon Medical gas outlets in any order on 5" centerline spacing.

Finish Assembly

The Finish assembly consists of a trim plate, insert plate, 6 feet of 12/3 SOOW black electrical cable with a factory installed stainless steel wire mesh strain relief and a hospital grade connector. The connector may be a Hubbellock® HBL23001HGB, 20A, 125V (twistlock) or a Hubbell HBL8319C, 20A, 125V, straight blade.

Adjustment of the connector height above the finished floor is easily accomplished during installation by loosening the strain relief lock nut and sliding the cable through the wire mesh grip, then tightening the lock nut.



Description	Complete Assembly Part Number	Rough-In Assembly	Finish Assembly
Ceiling mount electrical drop with Hubbell (straight blade) HBL8319C, NEMA 5-20R, 20A, 115V	<input type="checkbox"/> 142001-00	<input type="checkbox"/> 120968-00	<input type="checkbox"/> 235601-00
Ceiling mount electrical drop with Hubbellock® (twistlock) connector, HBL23001HGB 20A, 115V	<input type="checkbox"/> 142002-00	<input type="checkbox"/> 120968-00	<input type="checkbox"/> 235602-00