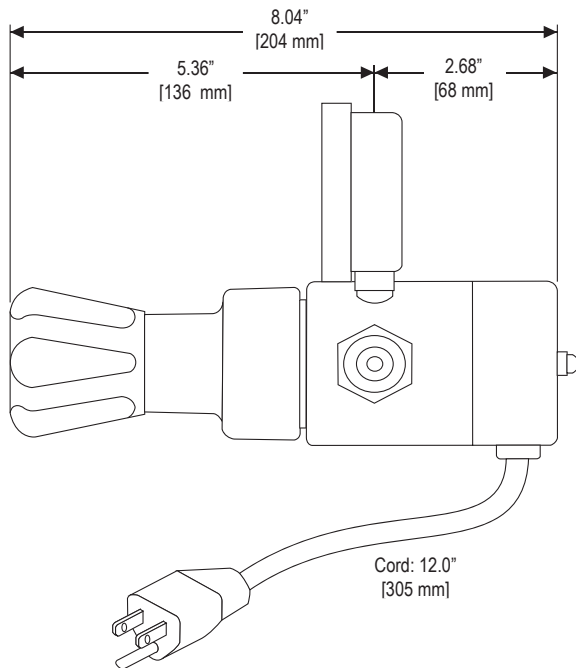
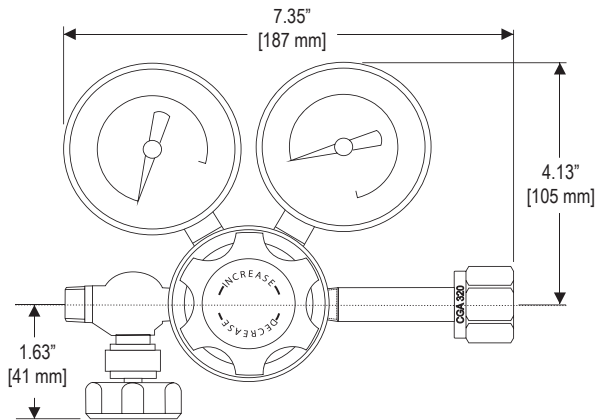


Dimensions

Approximate dimensions
[Show with Needle Valve Option]



Specifications

Maximum Inlet Pressure	3000 psig [207 barg]
Flow Coefficient	Cv = 0.15*
Gauge Diameter	2.5" [51 mm] dial
Inlet Gauge Range	0 - 4000 psig [0-276 barg]
Delivery Pressure	30-125 psig [2.1-8.6 barg]
Weight	6.8 lbs [3.1 kg]
Cord Length	12 inches [305 mm]

*Max flow for CO₂ is 100 scfh

Materials

Regulator	
Body	Chrome Plated Brass Barstock
Bonnet	Chrome Plated Die Cast
Diaphragm	302 Stainless Steel
Nozzle	Brass
Seat and Seals	PTFE Teflon/Buna-N
Filter	Nickel-plated Sintered Bronze - 10 micron
Seat Return Spring	Stainless Steel
Adjusting Knob	ABS Plastic
Needle Valve (if selected)	
Body	Brass
Stem	316 Stainless Steel
Packing	PTFE
Handle	Black Phenolic
Diaphragm Valve (if selected)	
Body	Brass
Stem	316 Stainless Steel
Packing	PCTFE (Kel-F™)
Handle	Black Phenolic
Gas Cylinder Connection	
Nut and Nipple	Chrome-plated Brass