

# RAB-1 Series Audio/Visual Remote Alarm Boxes for One Cylinder Bank

## Key Features

---

### ABS Enclosure

Rust free and clean appearance

---

### 24 VAC Power Supply

Low current drain

---

### 68 dBa Minimum Buzzer

Continuous tone buzzer provides clear warning

---

### Silence Button

The silence button kills the buzzer while keeping the red light illuminated.

---

### One (1) Green “Normal Pressure” Light per Cylinder Bank

Illuminated when the pressure is normal

---

### One (1) Red “Bank Depleted” Light Per Manifold

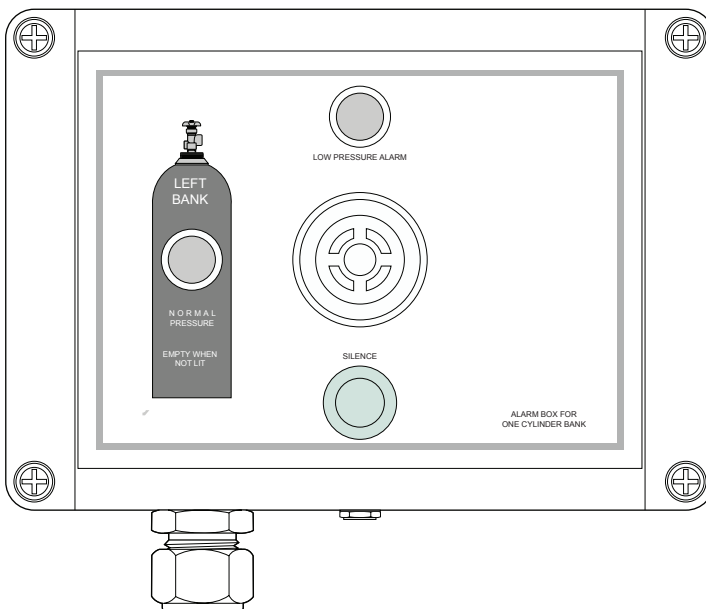
Indicates when cylinders need to be replaced

---

### Wall Plug-In Power Transformer

The unit can be easily connected to any 110 VAC wall power outlet

---

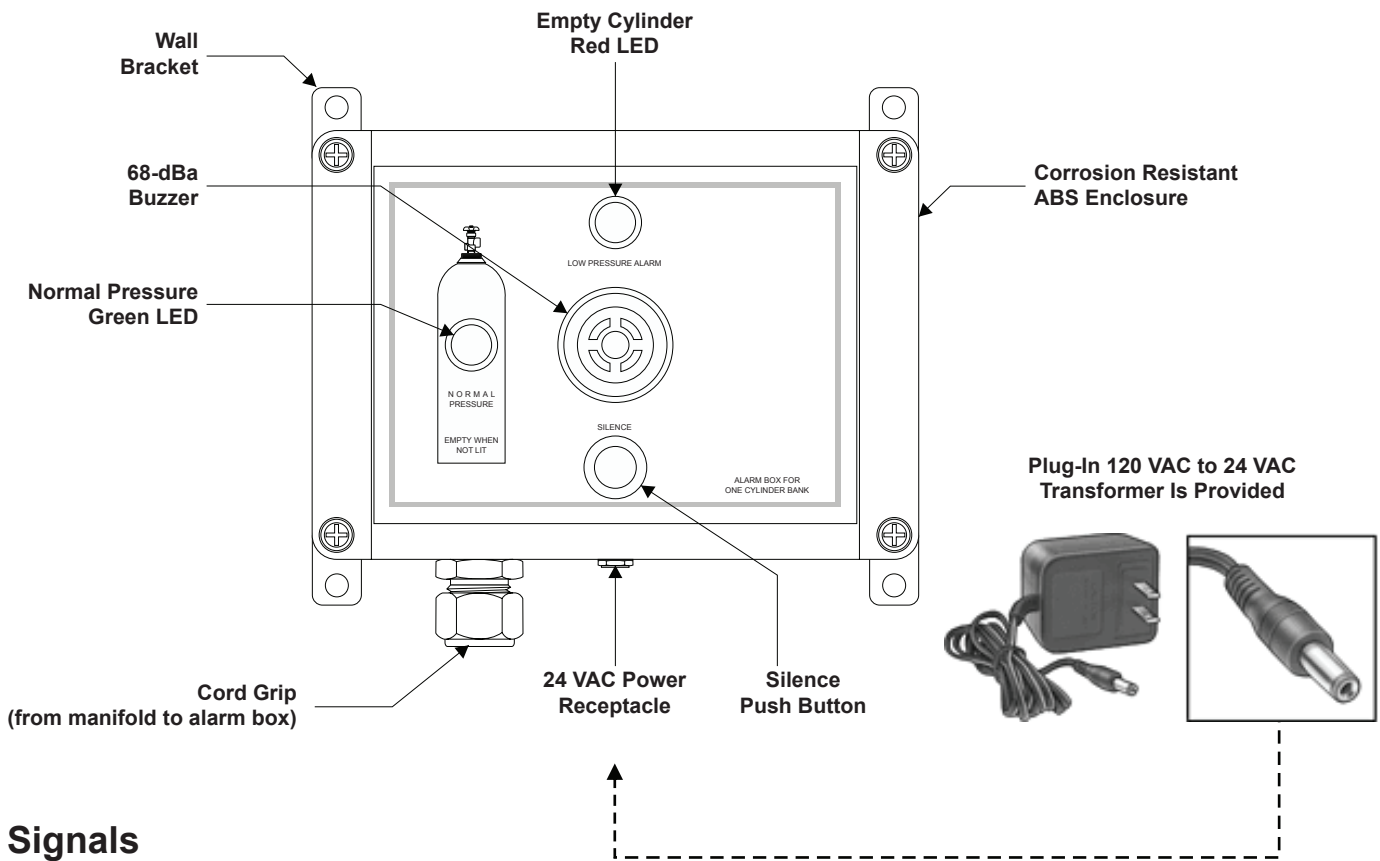


## Audio/Visual Remote Alarm Boxes for One Cylinder Bank

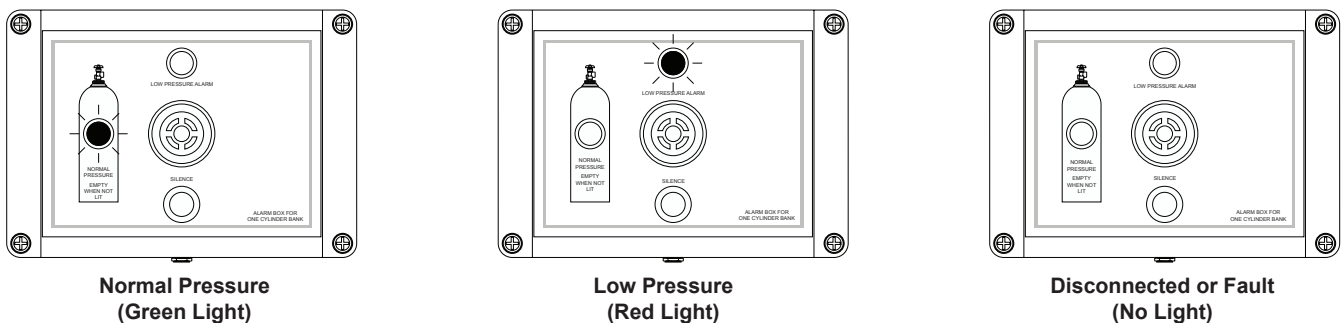
### Description

The BeaconMedæ's RAB-1 Remote Alarm Box for One Cylinder Bank is designed to operate with a 24 VAC power source. The alarm is initiated on a closed circuit. The alarm box contains one green light, one red light, one buzzer and one silence button. The green light is illuminated as long as the bank pressure is satisfactory. When the cylinder bank is depleted, the green light is turned off, the red LED is illuminated and the buzzer is activated. The buzzer can be silenced by pressing the silence pushbutton, but the red LED remains illuminated until the depleted bank has been replaced. The RAB-1 Audio/Visual Remote Alarm Box comes standard with a 24 VAC plug-in power transformer. As an option, for hard wired installation, the 24 VAC power transformer can be installed into a junction. The RAB-1 Series Alarm Box has one alarm signal for remote annunciation: one normally open dry contact.

### Equipment Overview



### Signals

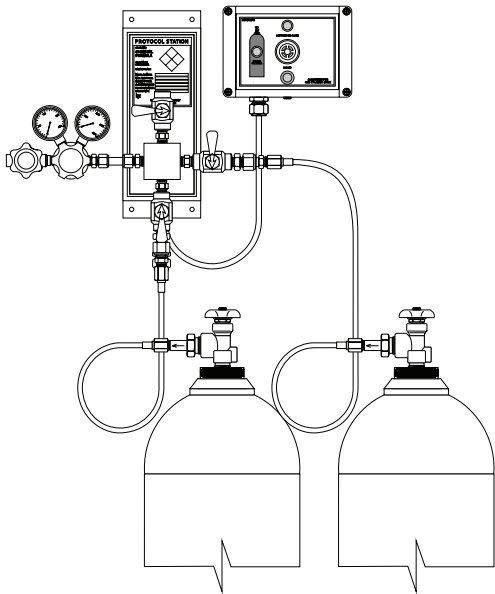


## Audio/Visual Remote Alarm Boxes for One Cylinder Bank

### Typical Setups

#### Use The RAB-1 As A Local Alarm Box

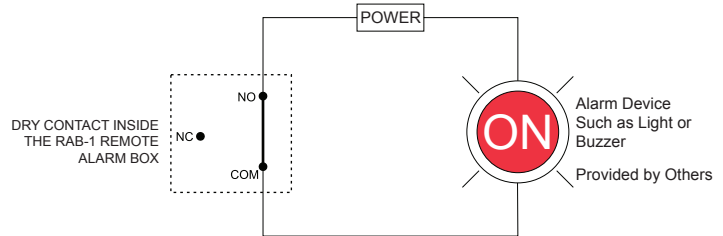
This schematic shows the RAB-1 installed with a BeaconMedæx Manual Changeover Station MCS Series.



### Remote Alarm Signal Circuitry

#### ALARM CONDITION- CLOSED CIRCUIT

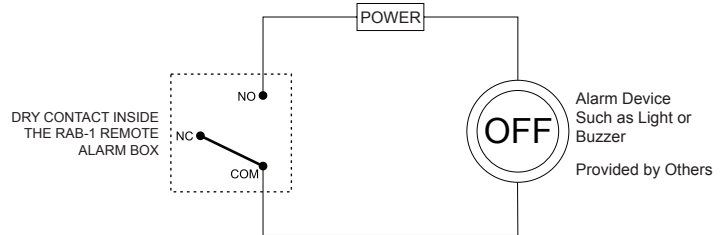
Provided by Others



The content inside one of the gas cylinder banks is depleted (low pressure). The dry contact switches from the Normally Closed (NC) position to the Normally Open (NO) position. The electrical circuit is closed and the alarm device is actuated.

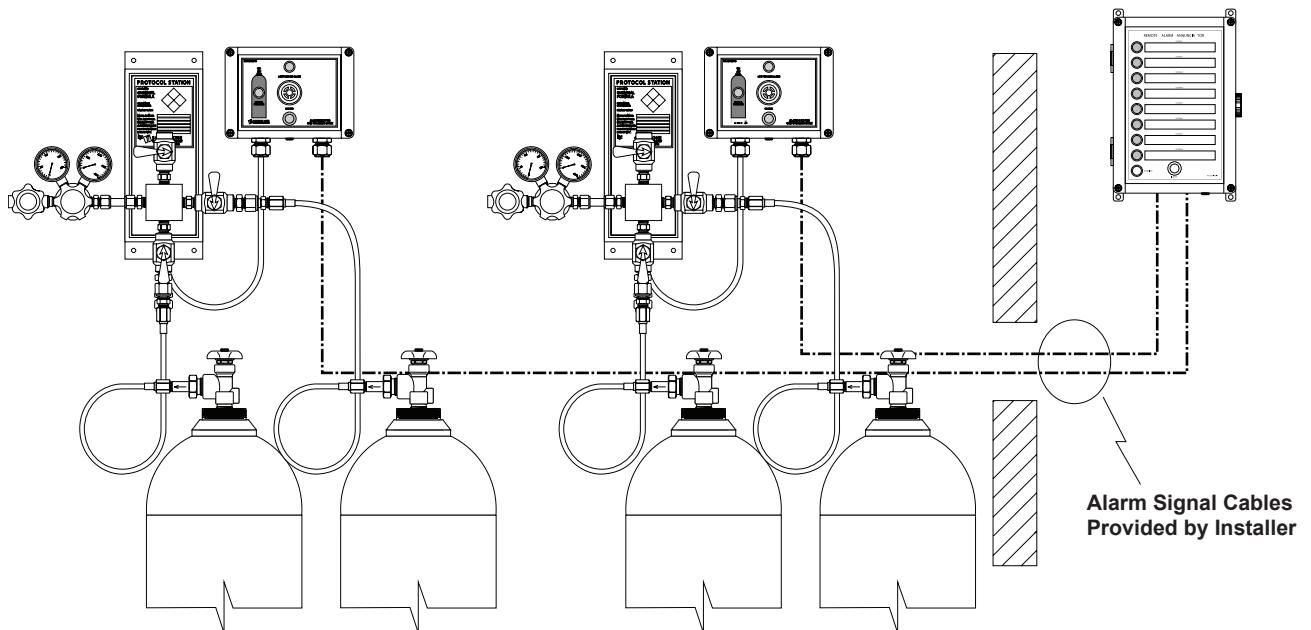
#### NO ALARM CONDITION- OPEN CIRCUIT

Provided by Others



In this situation, both gas cylinder bank pressures are satisfactory (i.e. not empty). The dry contact inside the RAB-2 remote alarm box is in the Normally Closed position. The electrical circuit is open and the alarm device is NOT actuated.

#### Use Several RAB-1 Units With A RAA-8 Remote Annunciator Box

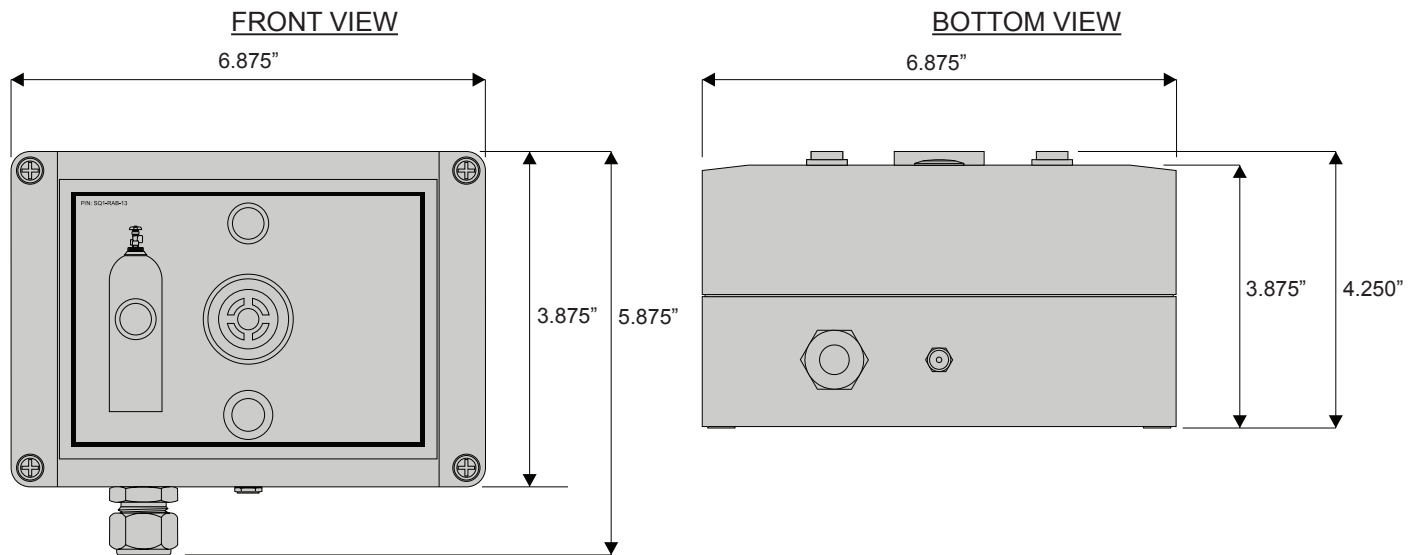


## Audio/Visual Remote Alarm Boxes for One Cylinder Bank

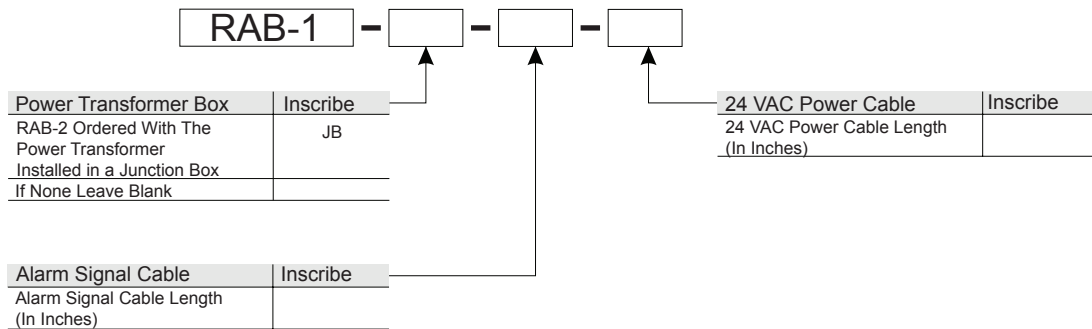
### Specifications *All electrical components are UL and CSA Listed*

<b>Enclosure</b>	ABS - Light Gray - Nema 4X
<b>Power Consumption</b>	24 VAC - 750 mA
<b>Dry Contact Signal</b>	Normally Open (3 Amp. @ 28 VDC / 277 VAC when Contact is in Close Position)
<b>Silence Push Button</b>	Momentary Pushbutton - Chrome Plated Steel - 3/4" Diameter
<b>Buzzer</b>	Continuous Tone - 68 dBa Minimum at 3 Feet
<b>Power Transformer</b>	Input: 120 VAC, 60 Hz, 32 Watts - Output: 24 VAC, 1000 mA
<b>Surge Protection</b>	Fuse: 1/4" x 1-1/4", 1 Amp

### Dimensions



### Ordering Information



Our policy is one of continuous research and development.  
We reserve the right to modify without notice the specifications given in this document.

