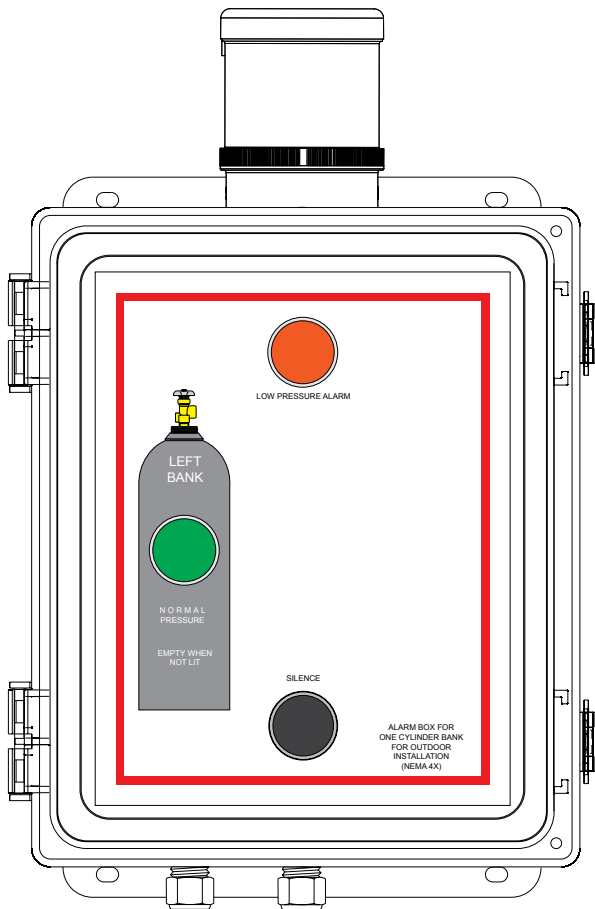


RAB-14X Series Audio/Visual Remote Alarm Boxes for One Cylinder Bank (Outdoor Installation)



Key Features

Polyester NEMA 4X Enclosure

UV resistant enclosure performing exceptionally well in applications where harsh chemicals, extreme weather and corrosive environments prevail

85 dBa Minimum Buzzer

Continuous tone buzzer provides clear warning

Silence Button

The silence button kills the buzzer while keeping the red light illuminated.

One (1) Green “Normal Pressure” Light

Illuminated when the pressure is normal

One (1) Red “Bank Depleted” Light

Indicates when the gas supply bank needs to be replaced

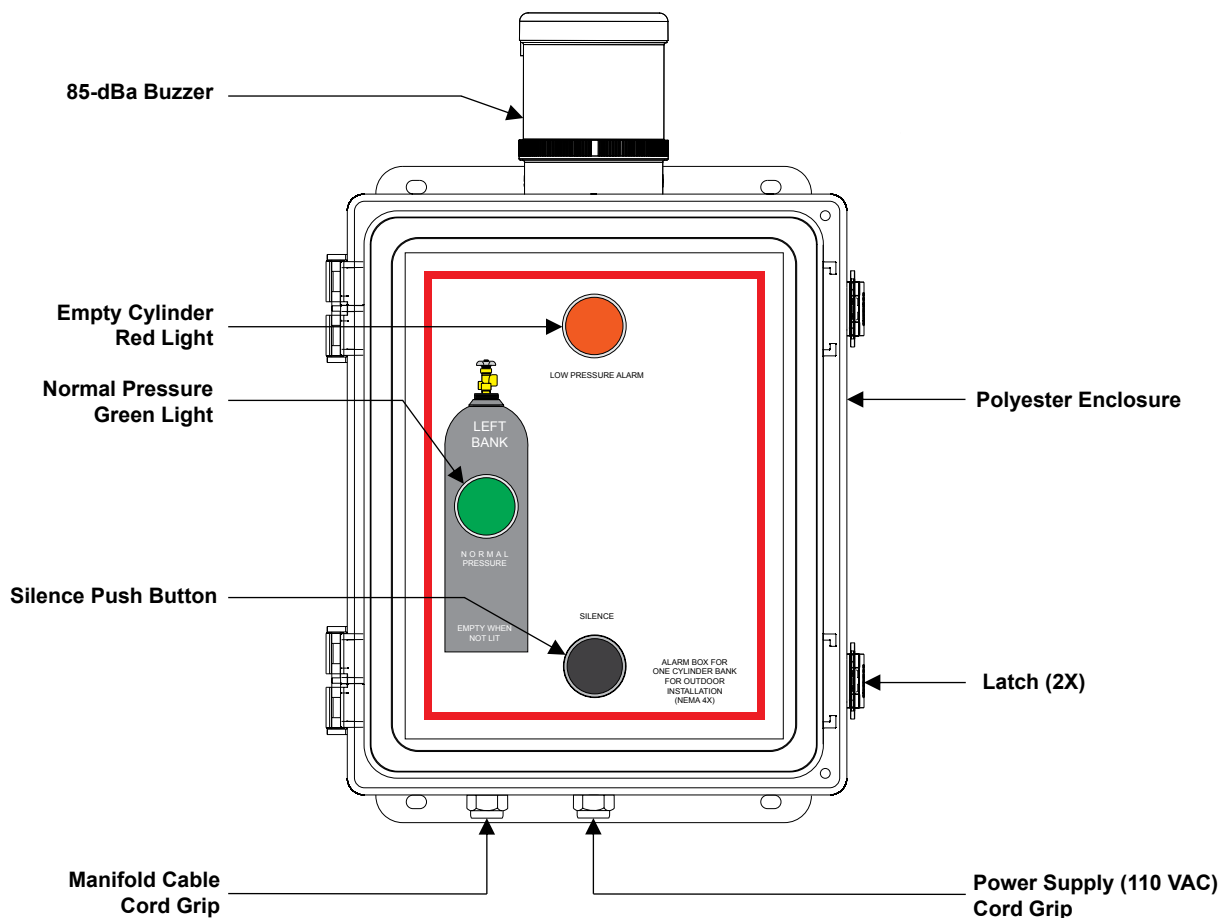
Audio/Visual Remote Alarm Boxes for One Cylinder Bank (Outdoor Installation)

Description

The BeaconMedæx RAB-1-4X Remote Alarm Box for One Cylinder Bank is designed to operate outdoors with a 110 VAC power source. The alarm function is initiated on a closed circuit. The alarm box contains one green light, one red light as well as one buzzer and one silence button. The green light is illuminated as long as the cylinder bank pressure is satisfactory. When the cylinder bank is depleted, the green light is turned off, the red light is illuminated and the buzzer is activated. The buzzer can be silenced by pressing the silence pushbutton, but the red light will remain illuminated until the depleted bank has been replaced. The RAB-1-4X Audio/Visual Remote Alarm Box comes standard with a built-in 110 VAC to 24 VAC power transformer.

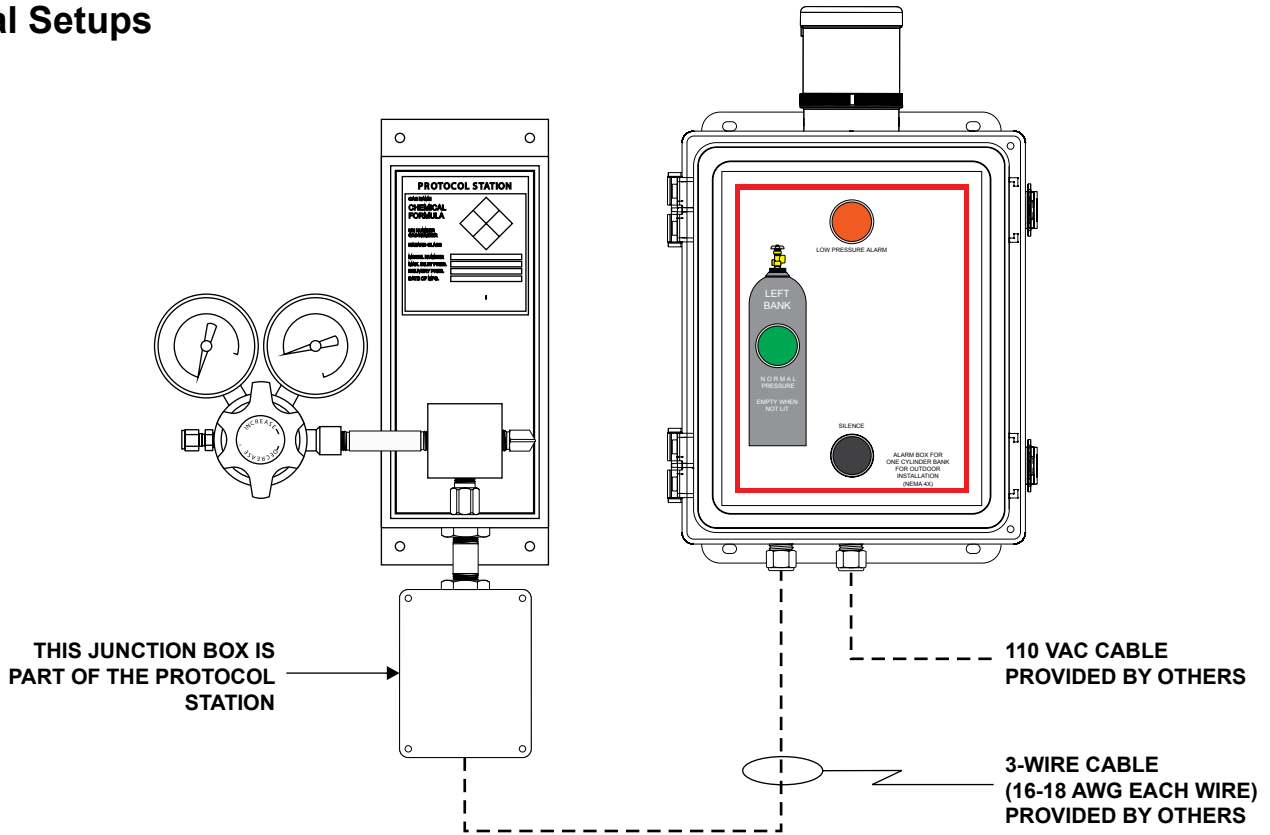
The RAB-1-4X Series Alarm Box has one alarm signal for remote annunciation: one normally open dry contact.

Equipment Overview



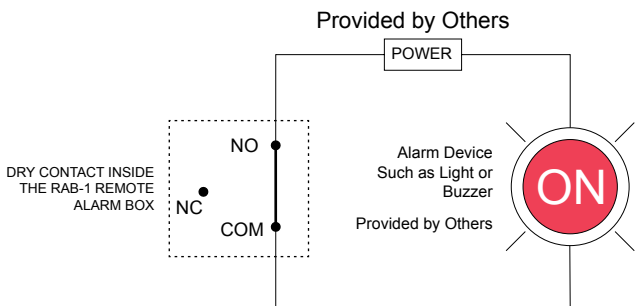
Audio/Visual Remote Alarm Boxes for One Cylinder Bank (Outdoor Installation)

Typical Setups



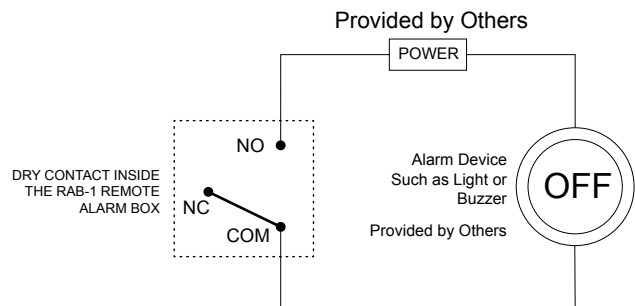
Remote Alarm Signal Circuitry

ALARM CONDITION- CLOSED CIRCUIT



The content inside one of the gas cylinder banks is depleted (low pressure). The dry contact switches from the Normally Closed (NC) position to the Normally Open (NO) position. The electrical circuit is closed and the alarm device is actuated.

NO ALARM CONDITION- OPEN CIRCUIT



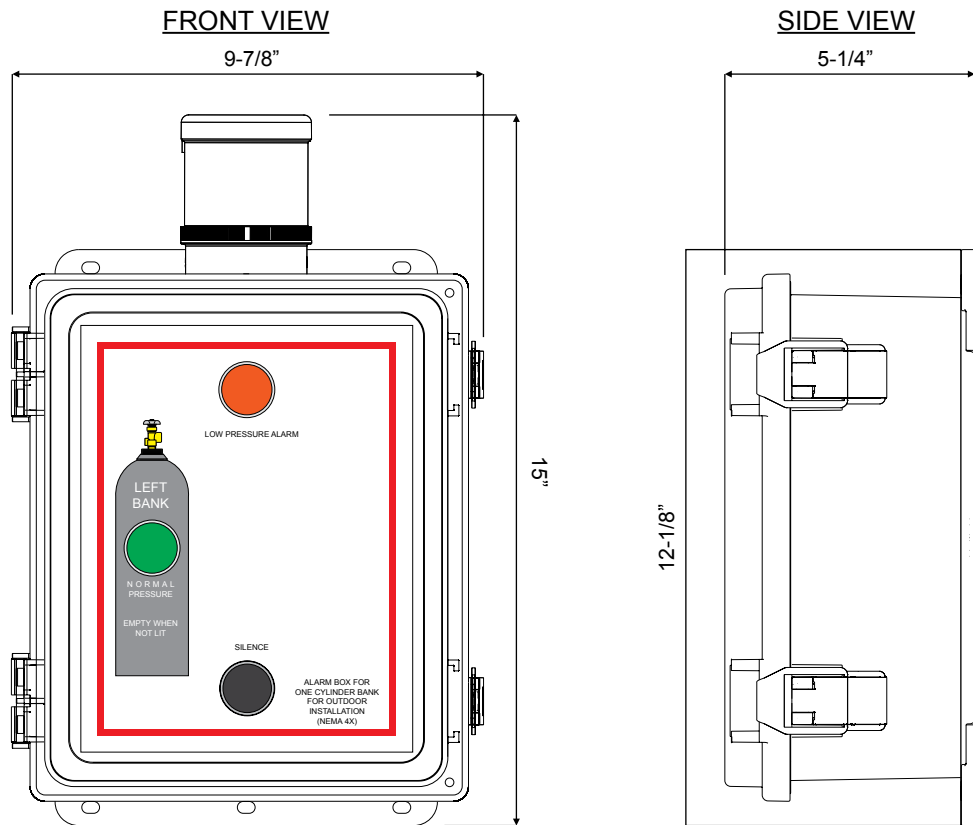
In this situation, both gas cylinder bank pressures are satisfactory (i.e. not empty). The dry contact inside the RAB-2 remote alarm box is in the Normally Closed position. The electrical circuit is open and the alarm device is NOT actuated.

Audio/Visual Remote Alarm Boxes for One Cylinder Bank (Outdoor Installation)

Specifications *All electrical components are UL and CSA Listed*

Enclosure	Polyester - Light Gray RAL 7035 - NEMA 4X
Power Consumption	110 VAC - 2 Amp max
Dry Contact Signal	Normally Open (3 Amp. @ 28 VDC / 277 VAC when Contact is in Closed Position)
Silence Push Button	Momentary Push Button - 22 mm - Black - Plastic
Buzzer	Continuous Tone - 85 dBA Minimum at 3 Feet
Power Transformer	Primary: 120 VAC, Secondary: 24 VAC
Surge Protection	Fuse: 1/4" x 1-1/4", 2 Amp.

Dimensions



Shown without the buzzer

Ordering Information

RAB-1-4X

Our policy is one of continuous research and development.
We reserve the right to modify without notice the specifications given in this document.



BEACONMEDÆS®

Part of the Atlas Copco Group

1800 Overview Drive, Rock Hill, SC 29730
Tel.: (803) 817-5600 Fax: (803) 817-5750
www.beaconmedaes.com

Printed in the U.S.A.
Brochure no.:RB-RAB14X-1302
November 2013