

RAB-2-4X Series Audio/Visual Remote Alarm Box for Two Cylinder Banks (Outdoor Installation)

Key Features

Polyester NEMA 4X Enclosure

UV resistant enclosure performing exceptionally well in applications where harsh chemicals, extreme weather and corrosive environments prevail

85 dBa Minimum Buzzer

Continuous tone buzzer provides clear warning

Silence Button

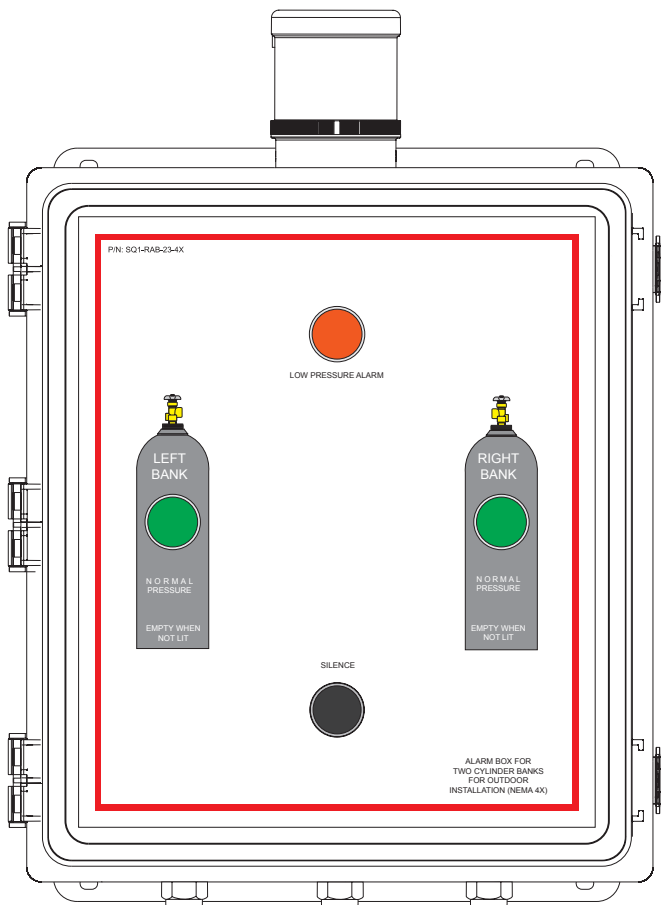
The silence button kills the buzzer while keeping the red light illuminated.

One (1) Green “Normal Pressure” Light per Cylinder Bank

Illuminated when the pressure is normal

One (1) Red “Bank Depleted” Light Per Manifold

Indicates when cylinders need to be replaced



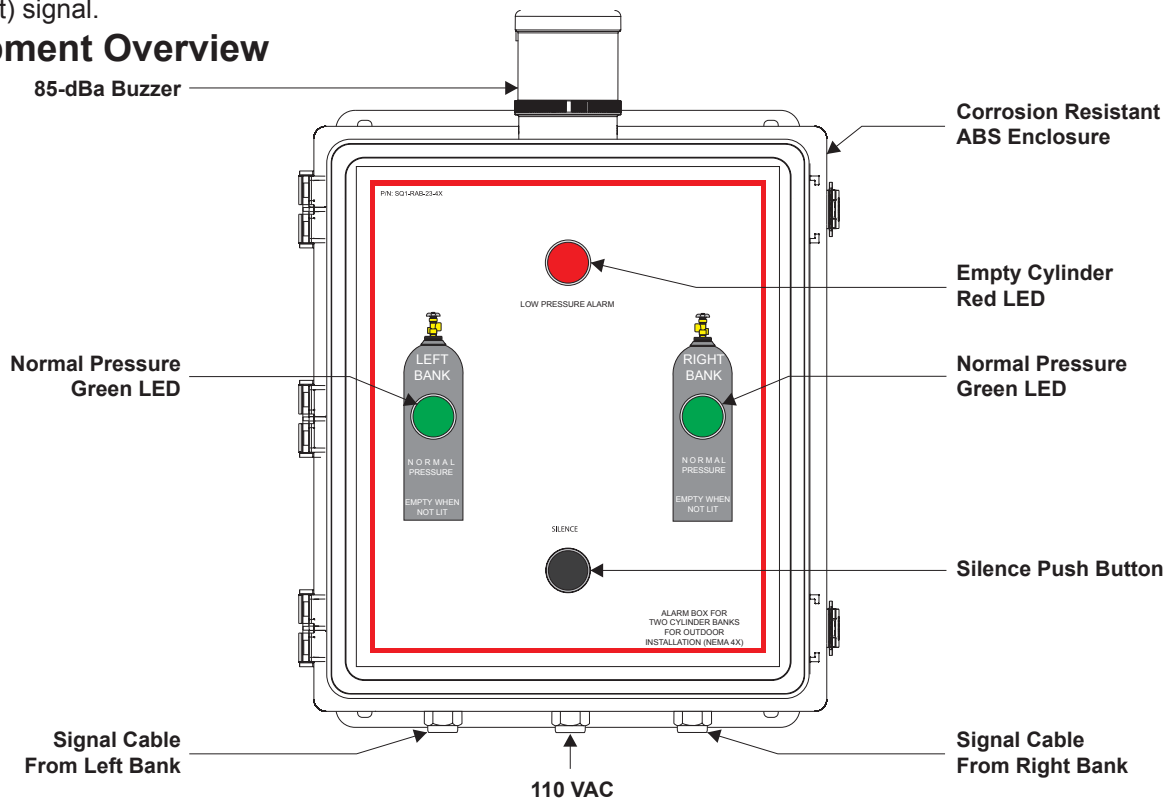
Audio/Visual Remote Alarm Boxes for Two Cylinder Banks (Outdoor Installation)

Description

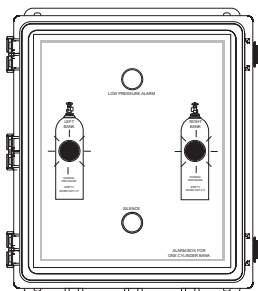
The BeaconMedæ's RAB-2-4X Remote Alarm Box for Two Cylinder Banks is designed to operate outdoors with a 110 VAC power source. The alarm function is initiated on a closed circuit. The alarm box contains one green light per cylinder bank, one red light for both banks as well as one buzzer and one silence button for both banks. The green lights are illuminated as long as their respective cylinder bank pressures are satisfactory. When a cylinder bank is depleted, its green light is turned off, the red LED is illuminated and the buzzer is activated. The buzzer can be silenced by pressing the silence pushbutton, but the red LED will remain illuminated until the depleted bank has been replaced. The RAB-2-4X Audio/Visual Remote Alarm Box comes standard with a built-in 110 VAC to 24 VAC power transformer.

The RAB-2 Series Alarm Box has two alarm signals for remote annunciation: one normally open dry contact and one 24 VAC (hot) signal.

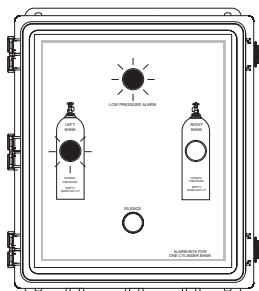
Equipment Overview



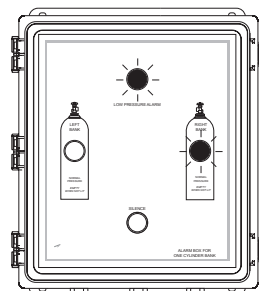
Signals



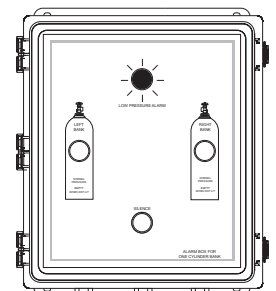
Left Bank: **Normal Pressure**
Right Bank: **Normal Pressure**



Left Bank: **Normal Pressure**
Right Bank: **Low Pressure**



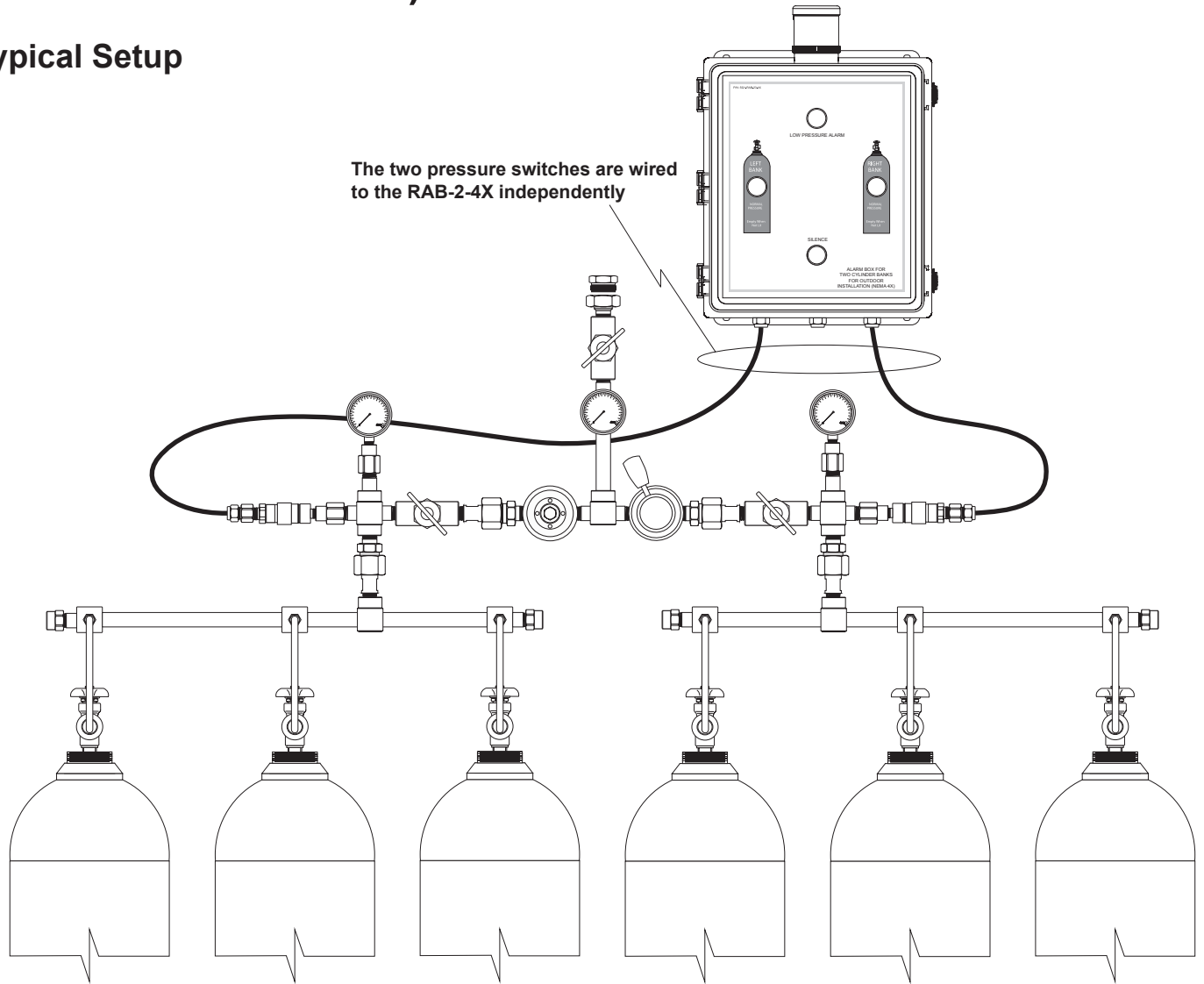
Left Bank: **Low Pressure**
Right Bank: **Normal Pressure**



Left Bank: **Low Pressure**
Right Bank: **Low Pressure**

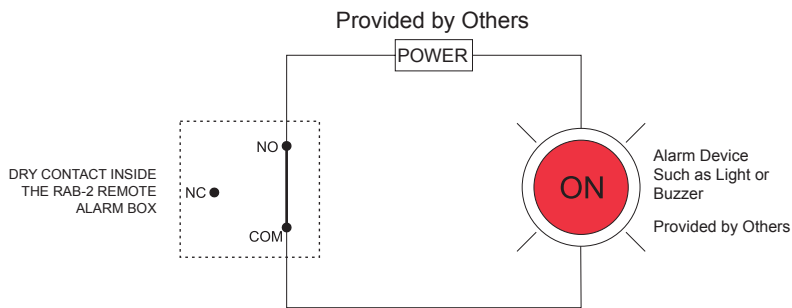
Audio/Visual Remote Alarm Boxes for Two Cylinder Banks (Outdoor Installation)

Typical Setup



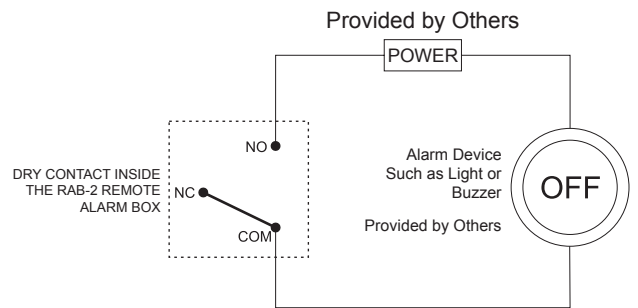
Remote Alarm Signal Circuitry

ALARM CONDITION- CLOSED CIRCUIT



The content inside one of the gas cylinder banks is depleted (low pressure). The dry contact switches from the Normally Closed (NC) position to the Normally Open (NO) position. The electrical circuit is closed and the alarm device is actuated.

NO ALARM CONDITION- OPEN CIRCUIT



In this situation, both gas cylinder bank pressures are satisfactory (i.e. not empty). The dry contact inside the RAB-2 remote alarm box is in the Normally Closed position. The electrical circuit is open and the alarm device is NOT actuated.

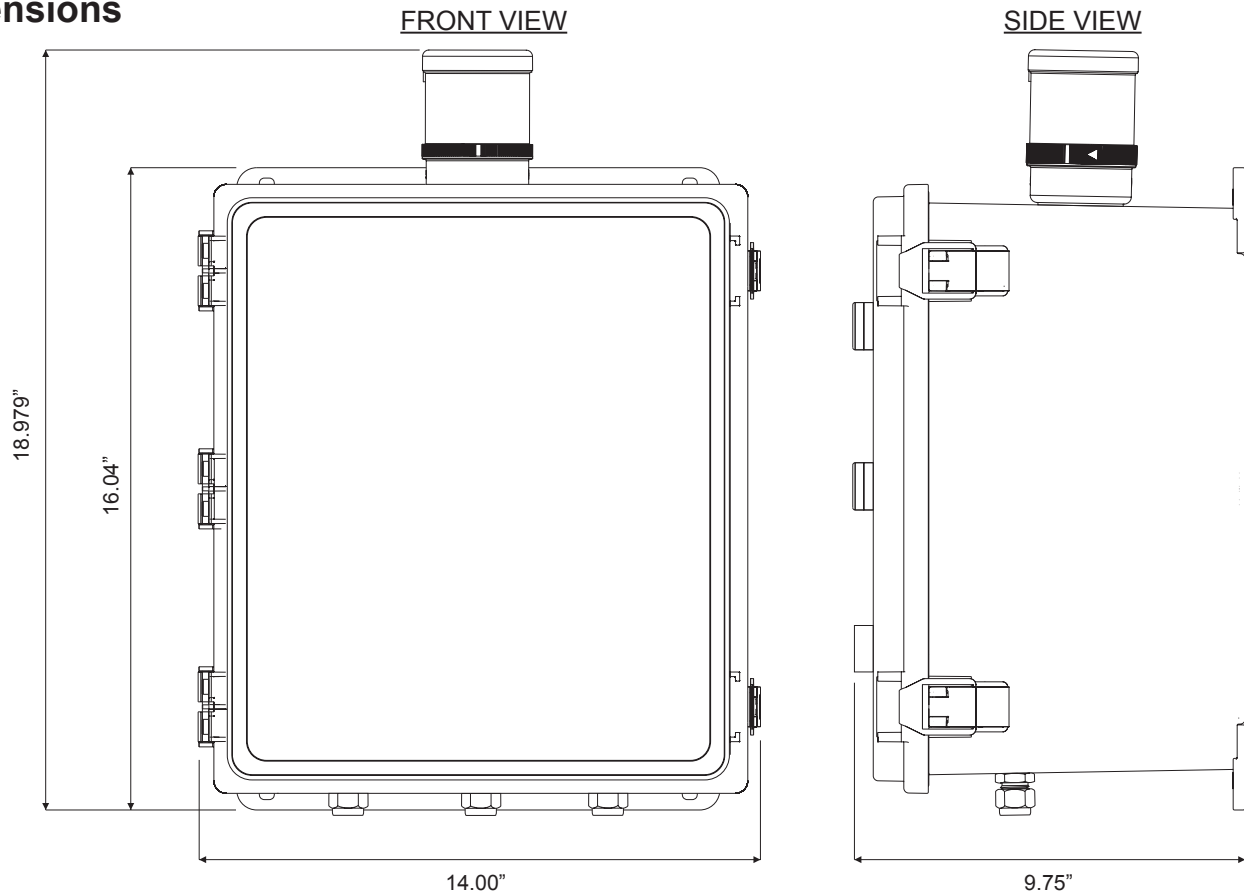
Audio/Visual Remote Alarm Boxes for Two Cylinder Banks (Outdoor Installation)

Specifications

All electrical components are UL and CSA Listed

Enclosure	Polyester - Light Gray RAL 7035 - NEMA 4X
Power Consumption	110 VAC - 1500 mA max
Dry Contact Signal	Normally Open (3 Amp. @ 28 VDC / 277 VAC when Contact is in Closed Position)
Silence Push Button	Momentary Pushbutton - 22 mm - Black - Plastic
Buzzer	Continuous Tone - 85 dBa Minimum at 3 Feet
Power Transformer	Primary: 120 VAC, Secondary: 24 VAC, 2000 mA
Surge Protection	Fuse: 1/4" x 1-1/4", 2 Amp.

Dimensions



Ordering Information

RAB-2-4X

Our policy is one of continuous research and development.
We reserve the right to modify without notice the specifications given in this document.



BEACONMEDÆS®

Part of the Atlas Copco Group

1800 Overview Drive, Rock Hill, SC 29730
Tel.: (803) 817-5600 Fax: (803) 817-5750
www.beaconmedaes.com

Printed in the U.S.A.
Spec Sheet no.: RB-RAB24X-2043
November 2014