

## DiamondCare® Recessed Wall Outlet SIS Key Style Tool Gas SPECIFICATION

### Wall/Ceiling Outlet

The DiamondCare® Recessed Wall/Ceiling Outlet is available in a SIS Key Style for Tool Gas (AS2896 Standard). The outlet consists of a rough-in assembly and a finish assembly. All outlets are 100% tested for flow, leaks and connector attachment. The outlets are cleaned for oxygen service in the manufacturing process. The outlets are made in the U.S.A.

A complete gas outlet consists of a gas specific rough-in assembly for installation before the wall is completed. A matching gas specific latch valve assembly and trim plate are installed after the finish is complete.

### Rough-In Assembly

The rough-in assembly is of modular design and includes a gas specific 16 gauge steel mounting plate. The wall version permits on site ganging of multiple outlets on 5" (12.7cm) centerline spacing. A 3/8" (9.5mm) high metal flange around the outlet opening provides a plaster barrier. A temporary cover is provided to keep debris out of the outlet during installation.

A machined brass outlet block is permanently attached to the rough-in plate to permit the 1/2" OD (3/8" nominal), type K copper inlet tube to swivel 360° for attachment to the piping system. The rough-in inlet is a 7" (18 cm) long, 1/2" (12.7 mm) O.D., type K copper inlet tube, with a plastic dust cap.

Gas service identification is affixed to the inlet tube and the face of the rough-in plate. The rough-in assembly contains a fully assembled secondary check, which is completely serviceable from the front. This check prevents gas flow when the finish assembly is removed for maintenance or service.

### Finish Assembly

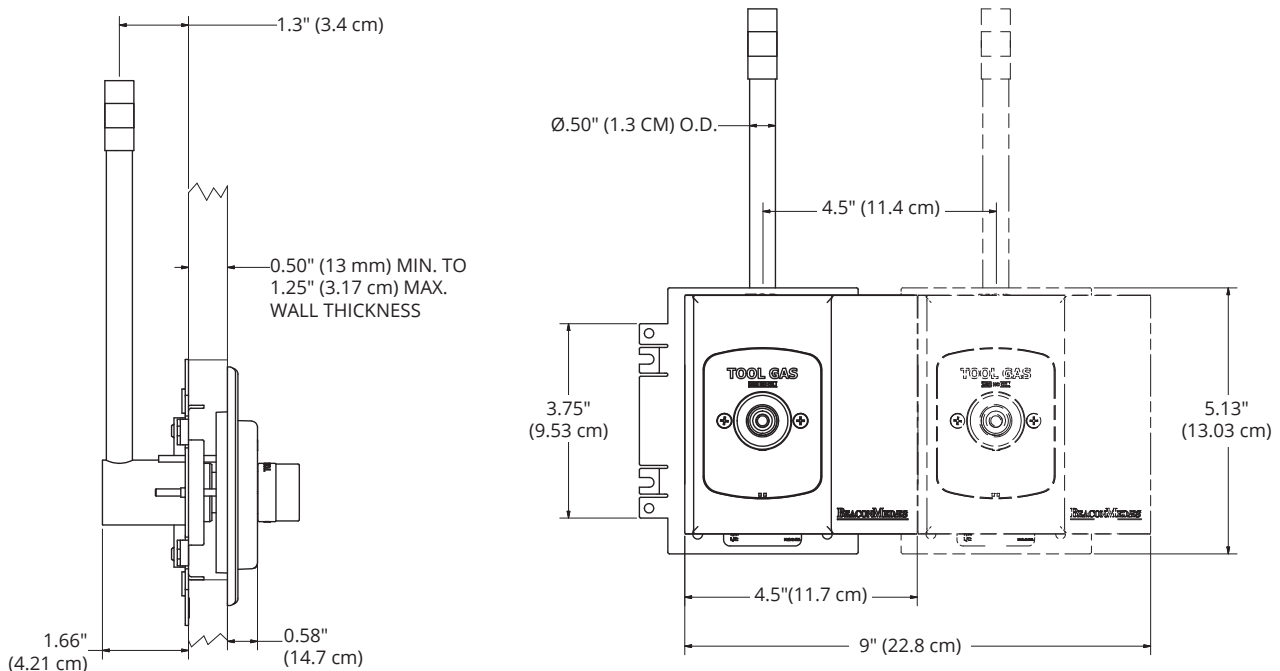
The finish assembly consists of a powder-coated light neutral, zinc, die-cast, finish faceplate, and attached, frontbody, keying, disc assembly. The keying disc assembly includes a unique gas-specific, hose sleeve indexing system that is color-coded and labeled with the name of the gas service. The front-body keying disc is constructed of a specialized polymer which has excellent chemical resistance, is UV stabilized, and incorporates Biomaster, an additive that has been shown to reduce bacterial growth.\* A serviceable barrel assembly includes a brass, primary, check valve that engages and seals when a hose adapter or patient treatment device is removed from the outlet.

### Features

- Keying discs polymer designed for excellent chemical resistance including quaternary disinfectant cleaners.
- Keying discs are UV stable.
- Keying discs are infused with Biomaster, an additive that has been shown to reduce bacterial growth.\*
- Quick access to primary check valve components.
- Large, gas-specific, color-coded, keying disc and label.
- Installation-friendly, flush, interlocking, rough-in flanges and proprietary, dust shield/purging cover.
- Cleaned for oxygen service, pressure-tested, and capped prior to shipping.

*\*(Disclaimer: Use of this product does not protect user from disease-bearing and food-borne pathogens).*

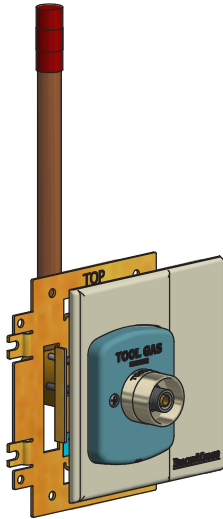
### Product Dimensions



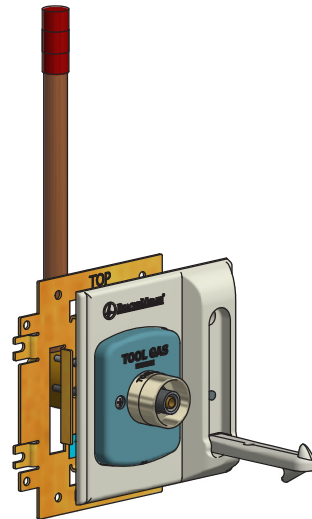


### Ordering Information

Each assembly is individually packaged. You can store finish assemblies for later installation or finish assemblies can be shipped at a later date, so there is less chance of being misplaced, damaged, or lost.



Tool Gas with Standard Trim Plate

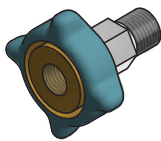


Tool Gas with Hook Trim Plate

Gas Service	SIS Key Style Finish Assembly Only*	Rough-in Assembly Only
Tool Gas with Standard Trim Plate	4107 2237 79	4107 2235 09

Note: SIS Key Style Finish Assembly includes standard trim plate.

Gas Service	SIS Key Style Latch Valve Only	Hook Trim Plate	Rough-in Assembly Only
Tool Gas with Hook Trim Plate	4107 2238 90	4107 2231 53	4107 2235 09



Tool Gas SIS Adaptor x 1/4" NPT



Tool Gas SIS Adaptor x 1/4" Hose Barb

Tool Gas Adaptors	
Part Number	Description
4107 6564 72	Tool Gas SIS Adaptor x 1/4" NPT
4107 6564 73	Tool Gas SIS Adaptor x 1/4" Hose Barb

